

LEXIVON

TAPE MEASURE - DUALOCK SERIES



USER MANUAL

1. PRESENTATION

1

A. TPR Rubber Jacket

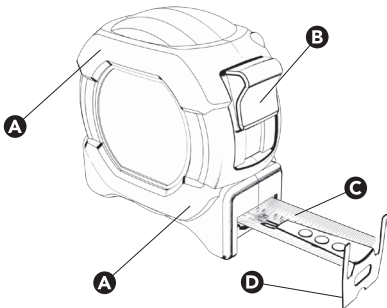
B. Sliding Lock

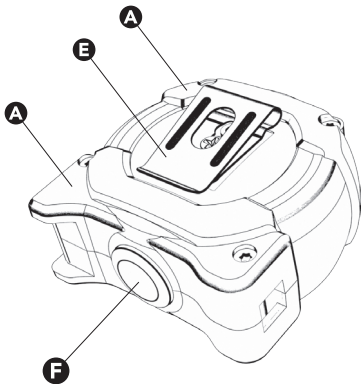
C. Dual Printed Scale

D. Multi-catch Hook

E. Belt Clip

F. Speed Brake





2. OPERATION

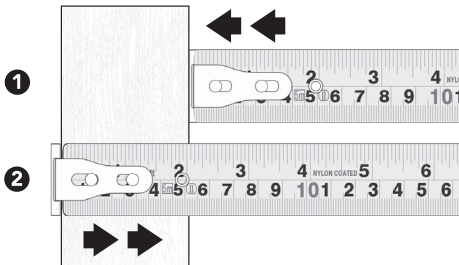
3

- 1)** Pull out the blade with one hand while holding the tape with the other.
- (2)** Slide the thumb lever to lock blade position on your desired measurement.
- (3)** Use "Multi-catch" hook to perform measurements with both sides of blade.
- (4)** Unlock the "Sliding Lock" and control retraction with the bottom "Speed Brake".
- (5)** Double printed scale allows you to measure SAE & Metric (printed fractional graduations).

3. KEY FEATURES

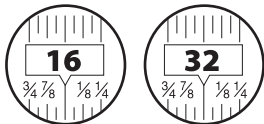
3.1 TRUE ZERO HOOK

Moveable hook enhance accuracy with internal (1) and external (2) measurements.

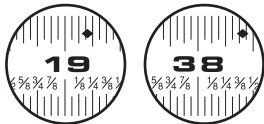


3.2 STUD MARK

Center stud marking on 16-Inch increments allows 7 stud arrangements on an 8-Footer sheet of wood or drywall.



Layout 6 trusses/rafters on an 8-Footer sheet with center marking black diamonds in 19-3/16 Inch increments.





CAUTION: While using this product, always wear ANSI approved protective eyewear and clothing

CE MID  

**FOR ANY HELP YOU MIGHT NEED
PLEASE DON'T HESITATE TO CONTACT US**



support@lexivon.com



www.lexivon.com/support

LEXIVON HAS YOU COVERED

**OUR MEASURING INSTRUMENTS
USUALLY COME WITH A 1 YEAR WARRANTY**



Register your new product online Within 90 days from the purchase

**AND GET YOUR LEXIVON
LIMITED LIFETIME WARRANTY**

REGISTER AT: www.lexivon.com/product-registration