

# HoytSt

PUCK Remote & Receiver  
HP1 and HR1 Controller

OWNER'S MANUAL



# WARNING!



**RISK OF DEATH OR SERIOUS INJURY.** Skateboarding, electric or otherwise, is a dangerous activity. You put yourself at risk of death or serious injury every time you ride a skateboard. Appropriate precautions naturally mitigate these risks.



**ALWAYS WEAR A HELMET** when riding. Other protective gear like wrist guards, gloves, elbow and knee pads are also strongly recommended.



**AVOID WATER!** Your Hoyt St remote is water resistant, not waterproof. The electronics are not waterproof and susceptible to water damage.



**PROLONGED EXPOSURE TO HIGH HEAT** may damage the electronics. Avoid leaving your remote and receiver in a hot car or trunk.



**NEVER** ride while under the influence of drugs and/or alcohol.

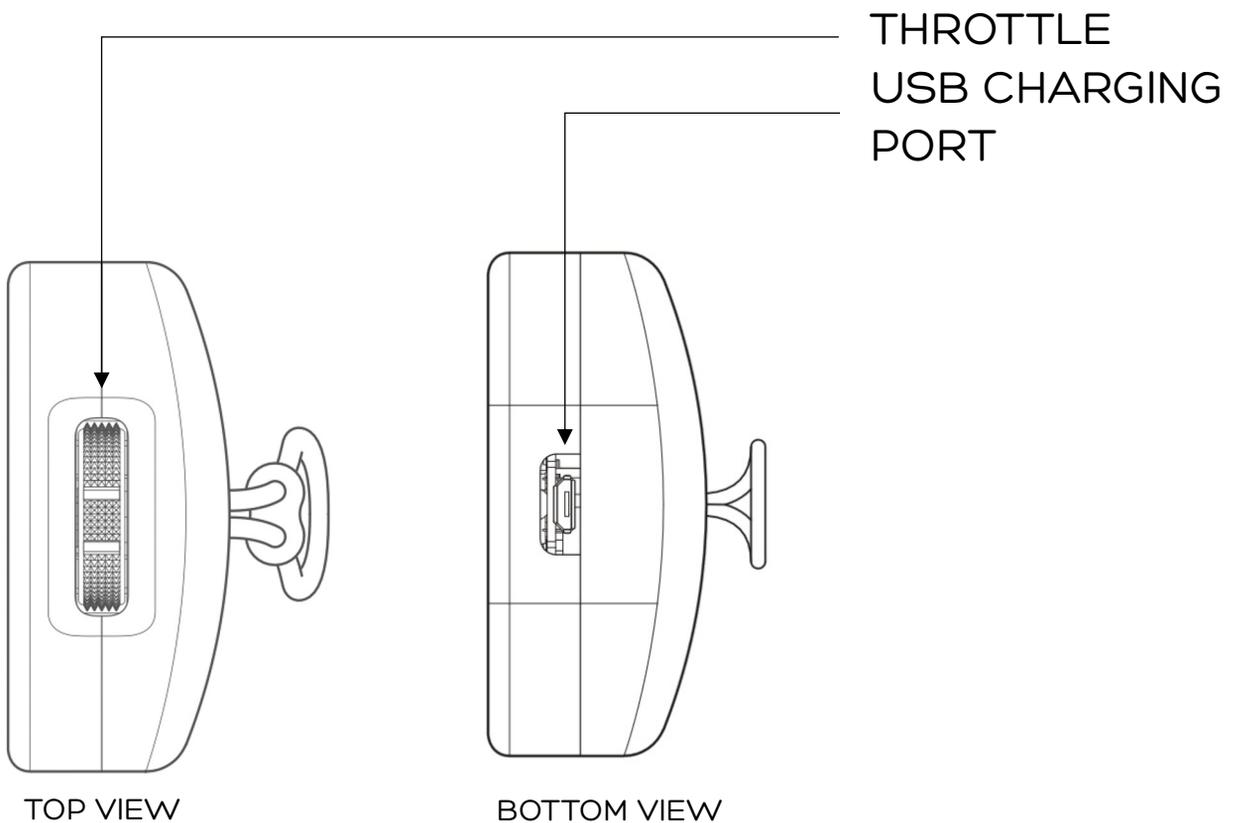
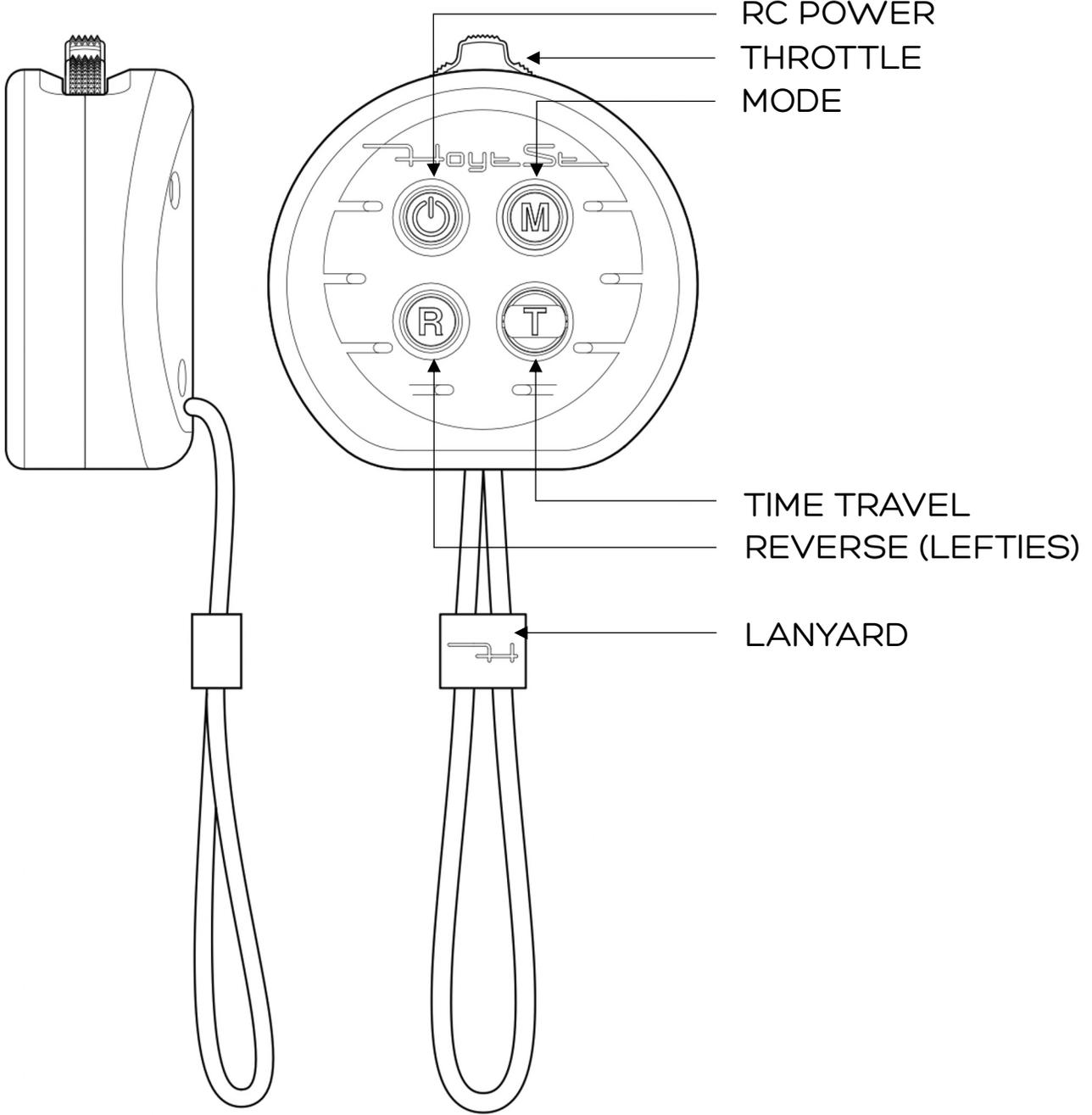


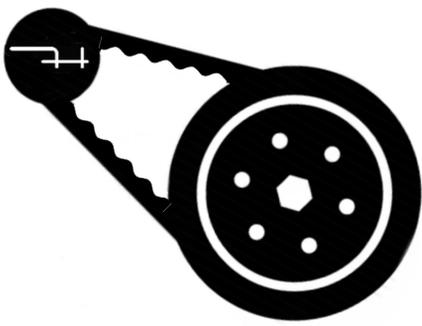
**LEARN AND OBEY** local traffic laws.

**SHARE** the road. Be courteous of cyclists, pedestrians and other modes of transport.

# GLOSSARY

## REMOTE CONTROL





# OPERATION GETTING STARTED

## CHARGE THE REMOTE

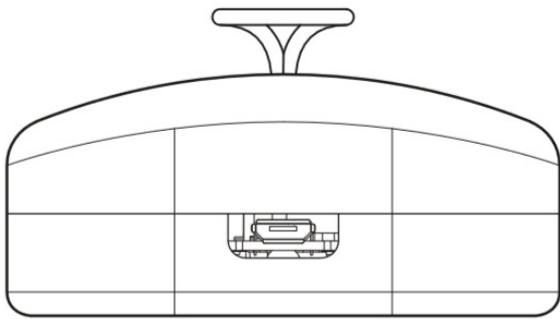
Full charge = 6-8 hours of use with a 30-60 minute charge. LEDs glow green when full charge reached. While riding, click the power button once to check SOC.

Blue = 8 to 4 ½ hours

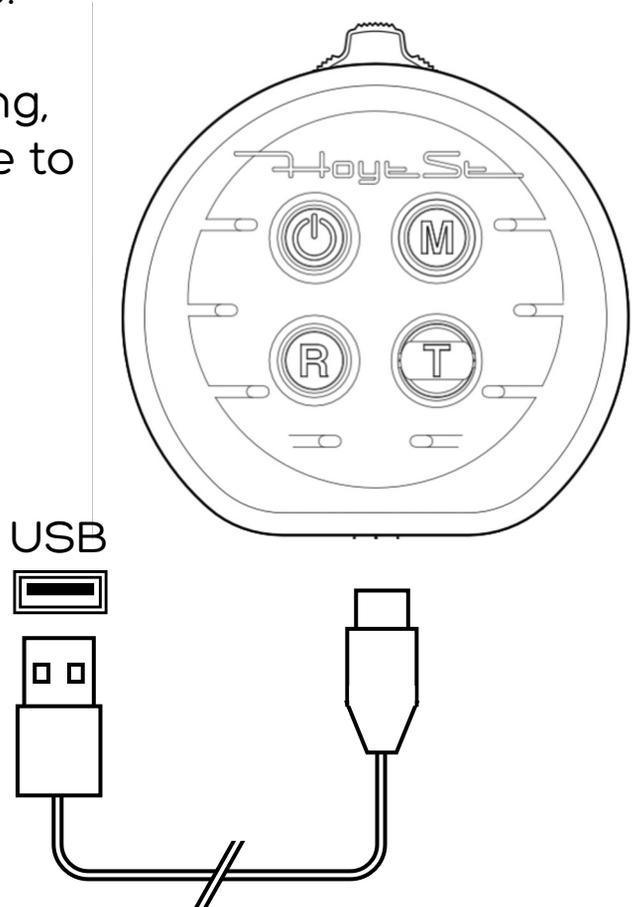
Green = 4 ½ to 1 hour

Yellow = 1 hour to 20 min

Red = <20 min



BOTTOM VIEW



## CHECK REMOTE-DECK PAIRING

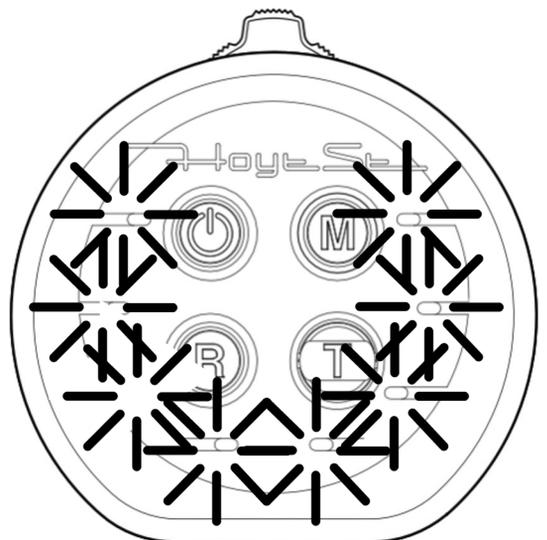
Paired:

remote LED lights  
turn white for <1 second

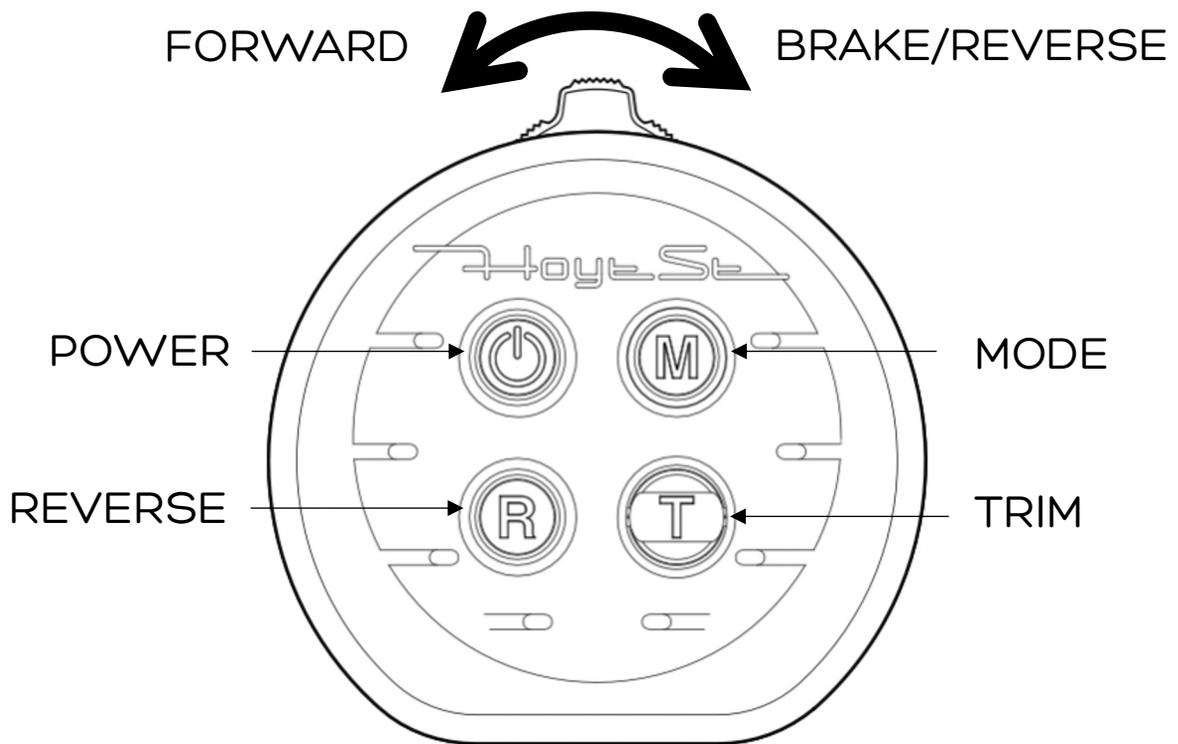
Unpaired:

remote LED lights  
are blinking red.

Reference Maintenance  
section for re-pairing.



## USING THE REMOTE CONTROL



**POWER:** Powering on and off requires a 1½ second hold. Remote will vibrate at activation. Auto-off activates after 5 minutes of inactivity. Double click to lock/disengage throttle but maintain pairing. Double click again to unlock. Throttle Lock: double click to lock/unlock. Blue light will glow when locked.

**MODE:** Hoyt St remote control comes with three modes: Click once to toggle between modes, each mode vibrating (once, twice or thrice) to indicate mode.

Mode 1: Learning on flat ground for beginners.  
Mode 2: Moderate acceleration and hill climb. Mode of choice for majority of riders.  
Mode 3: Delivers more power on acceleration and steep uphill climbs.

All modes have equal braking characteristics. Toggling modes while operating the skateboard is enabled when throttle in neutral position.

**REVERSE:** For left handed remote use. Hold button for 1½ seconds until vibrating beep. Test to validate throttle direction has reversed before riding.

**TIME TRAVEL:** Feature not yet unlocked.

## **(RE-)PAIRING THE REMOTE:**

Pairing is the process of wirelessly coupling your remote control transmitter with the receiver built into the board so other transmitters cannot interfere with data transmission. To pair or re-pair the remote:

- Turn off skateboard and remote control.
  - Simultaneously hold the Power, Mode and Reverse buttons until remote control LEDs flash rapidly.
  - Turn on the skateboard's power. Pairing is complete
- 
- 

## **FCC STATEMENT:**

Warning: changes or modifications not expressly approved by the party responsible for compliance void the user's authority to operate the equipment.

This equipment has been tested and found to comply with the limits for a Class B digital device, pursuant to Part 15 of the FCC Rules. These limits are designed to provide reasonable protection against harmful interference in a residential installation. This equipment generates, uses and can radiate radio frequency energy and, if not installed and used in accordance with the instructions, may cause harmful interference to radio communications. However, there is not guarantee that interference will not occur in a particular installation.

If this equipment does cause harmful interference to radio or television reception, which can be determined by turning the equipment off and on, the user is encouraged to try to correct the interference by one or more of the following measures:

Reorient the receiving antenna

Increase the separation between the equipment and receiver.

Connect the equipment into an outlet on a circuit different from that to which the receiver is connected.

Consult the dealer or an experienced radio/TV technician for help.

This device complies with part 15 of the FCC rules. Operation is subject to the following two conditions: 1) this device may not cause harmful interference and 2) this device must accept any interference received, including interference that may cause undesired operation.

## **Wireless Electrical Parameters:**

RF Range: 2408-2475MHZ

RF Power: >20dBm(EU)

Input Power: 1S3.7V \*1000mAh

HP1 FCC ID: 2 A Z E 4 - H P 1

HR1 FCC ID: 2 A Z E 4 - H R 1

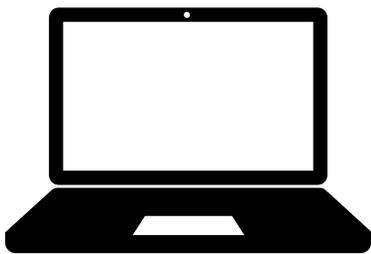


# LIMITED WARRANTY

Your Hoyt St remote control and receiver are covered by a 6 month manufacturer's warranty, covering defects in craftsmanship and materials. Not covered is damage as a result of abuse, misuse, neglect, negligence, accident or exposure to water. Modification of components and/or tampering with the electronics voids the warranty.

Hoyt has partnered with Extend for up to three year extended warranty which is available at purchase or up to 6 months after.

If you discover a product defect within 6 months of ship date, contact [hoytskate@hoytskate.com](mailto:hoytskate@hoytskate.com) for return instructions..



## ADDITIONAL ONLINE INFO

Website: [www.hoytskate.com](http://www.hoytskate.com)

Email: [hoytskate@hoytskate.com](mailto:hoytskate@hoytskate.com)

Instagram: [hoytskate](https://www.instagram.com/hoytskate)

Facebook: [hoytsk8](https://www.facebook.com/hoytsk8)

Twitter: [@hoytskate](https://twitter.com/hoytskate)

Mail: 500 Washington St.,  
Vancouver, WA 98600



# Hoyt St

500 Washington St, Vancouver, WA 98660

[www.hoytskate.com](http://www.hoytskate.com)

© METROBOARD LLC 2024