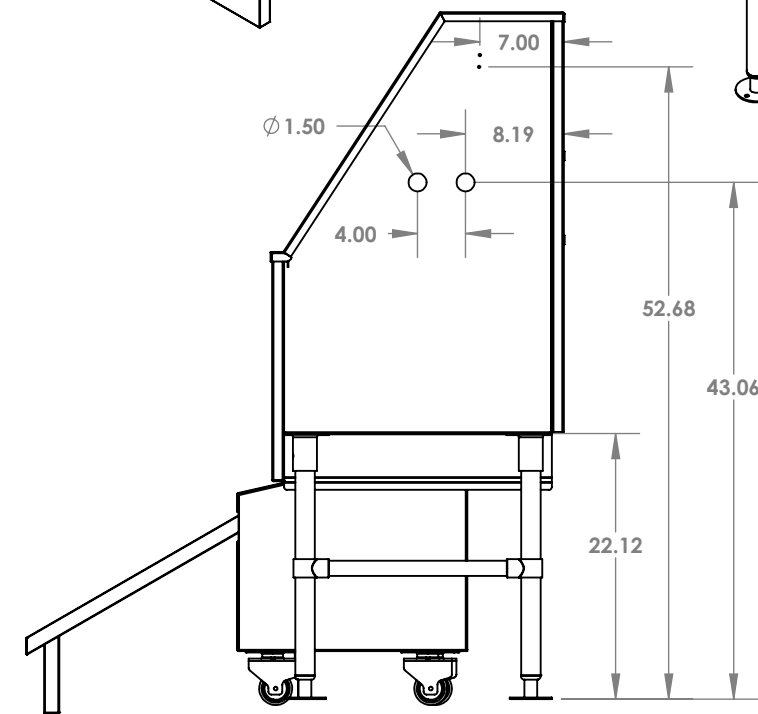
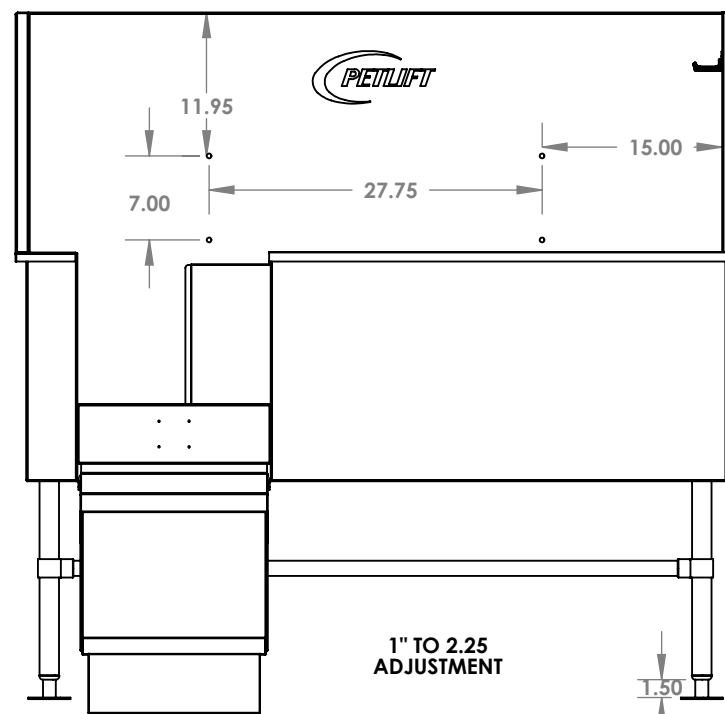
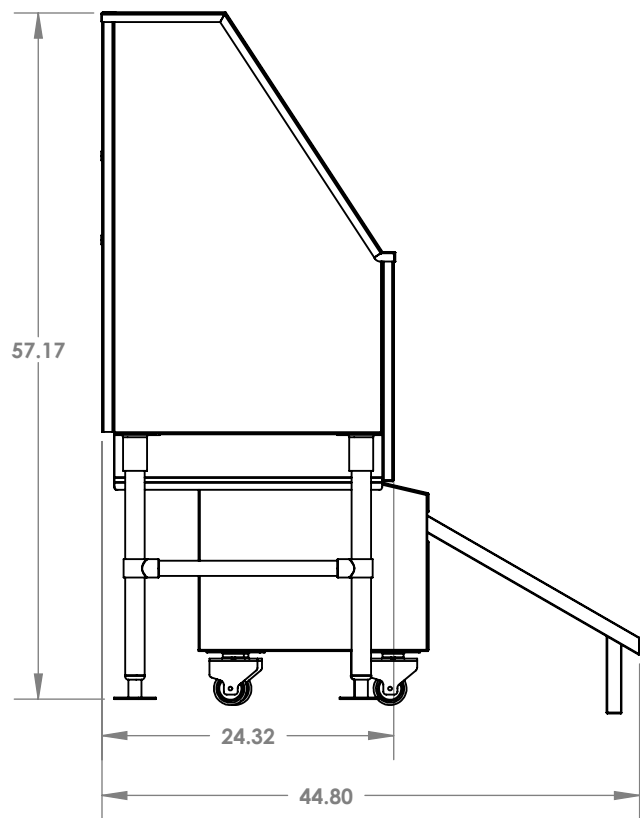
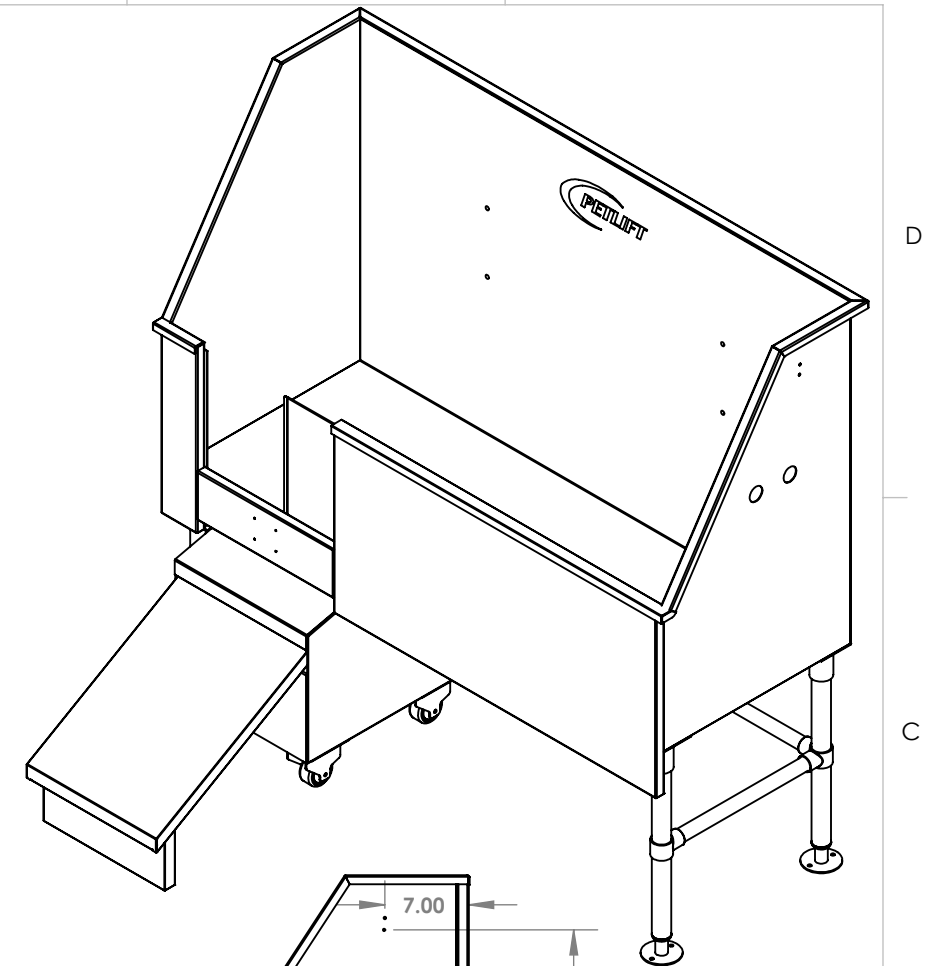
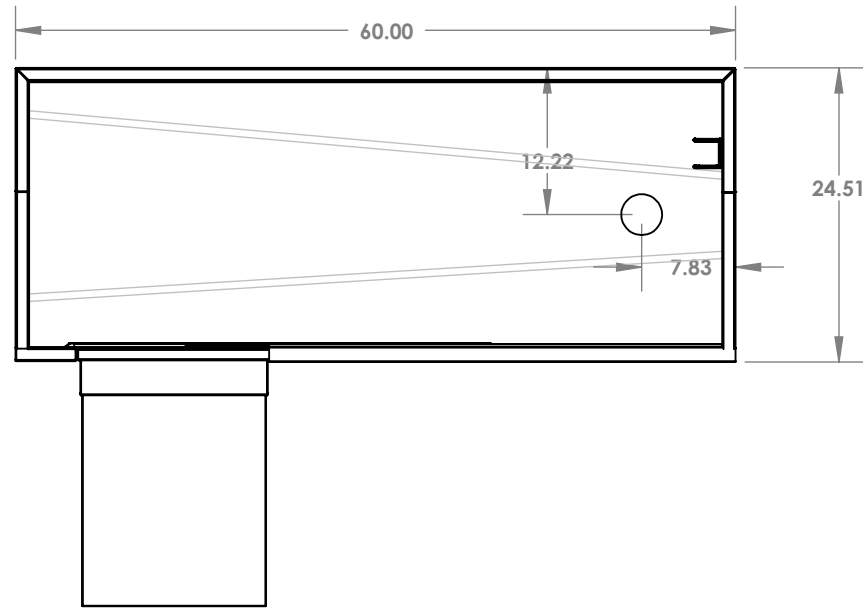


**RIGHT SIDE SHOWN
LEFT SIDE OPPOSITE**

**TUB WEIGHT; 140 LBS.
RAMP WEIGHT; 40 LBS**



PROPRIETARY AND CONFIDENTIAL
THE INFORMATION CONTAINED IN THIS DRAWING IS THE SOLE PROPERTY OF <INSERT COMPANY NAME HERE>. ANY REPRODUCTION IN PART OR AS A WHOLE WITHOUT THE WRITTEN PERMISSION OF <INSERT COMPANY NAME HERE> IS PROHIBITED.

UNLESS OTHERWISE SPECIFIED:		NAME	DATE
DIMENSIONS ARE IN INCHES		DRAWN	
TOLERANCES:		CHECKED	JRS
FRACTIONAL ±		ENG APPR.	
ANGULAR: MACH ± BEND ±		MFG APPR.	
TWO PLACE DECIMAL ±		Q.A.	
THREE PLACE DECIMAL ±		COMMENTS:	
INTERPRET GEOMETRIC TOLERANCING PER:			
MATERIAL			
FINISH			
NEXT ASSY	USED ON		
APPLICATION			
DO NOT SCALE DRAWING			

PETLIFT S&B MFG
TITLE: **58" DOG BATH W/SLIDING DOOR AND RAMP**
SIZE DWG. NO. REV
AQ58K RIGHT WITH RAMP
SCALE: 1:16 WEIGHT: SHEET 1 OF 1