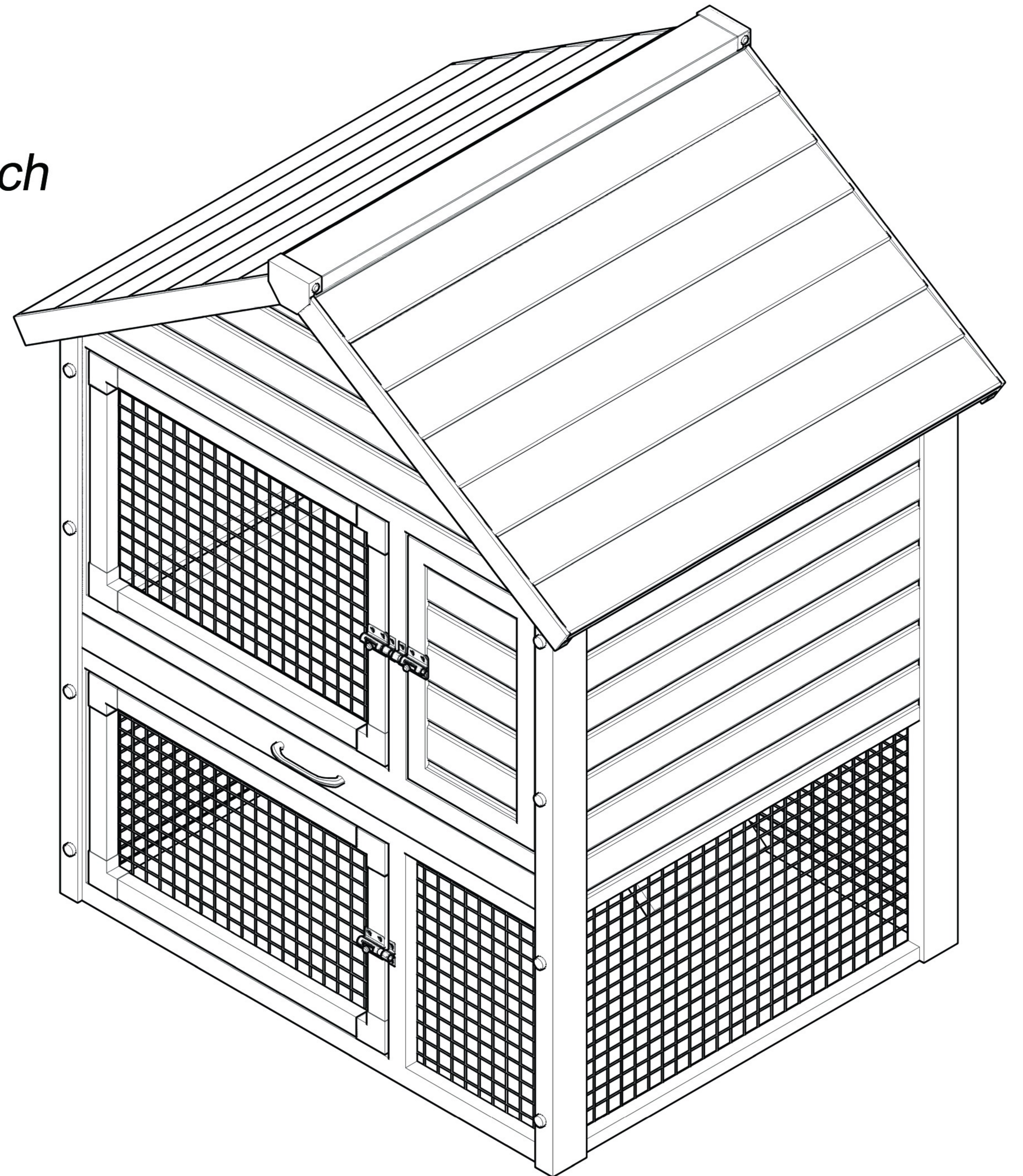




Huntington Townhouse Rabbit Hutch

ECORH203-16



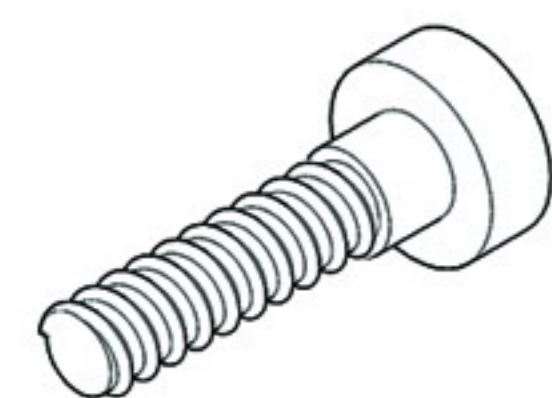
Congratulations on your purchase!

Before you Start – check for damaged or missing parts. Visit www.NewAgePet.com/customer-service to order replacement parts.

Parts List

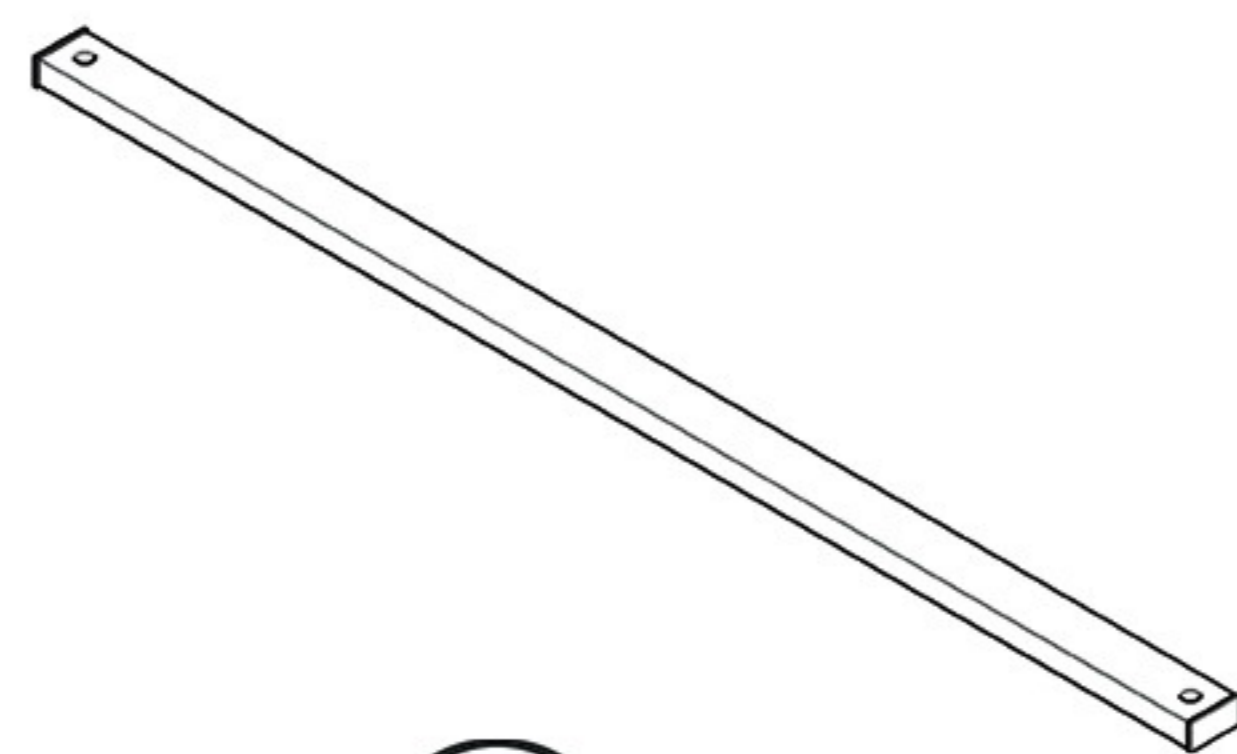
Before you start –

Check for any damaged or missing parts. There are a total of 13 major parts. Each part is marked with a number in the sequence of assembly. We recommend laying out the parts in numerical sequence and making sure everything is there. This will also help in the assembly. In addition to the major parts, there are also a number of “hardware” parts listed below:



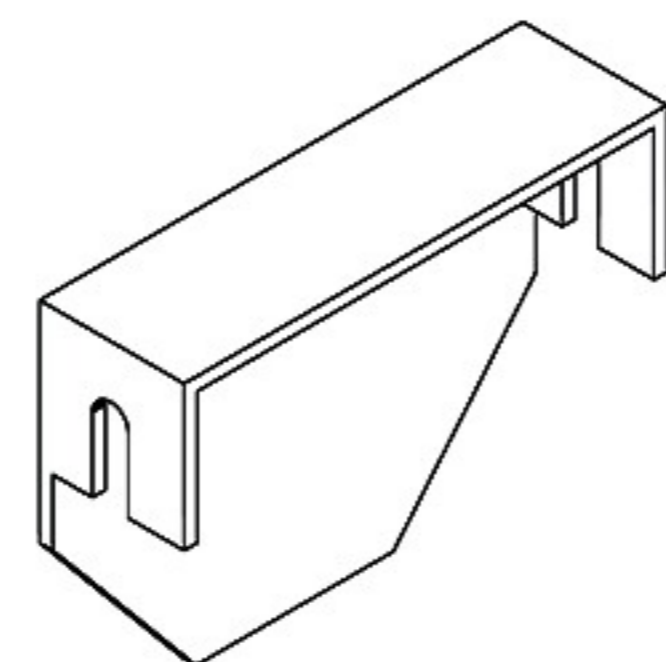
(A) × 16

Thumb Screw



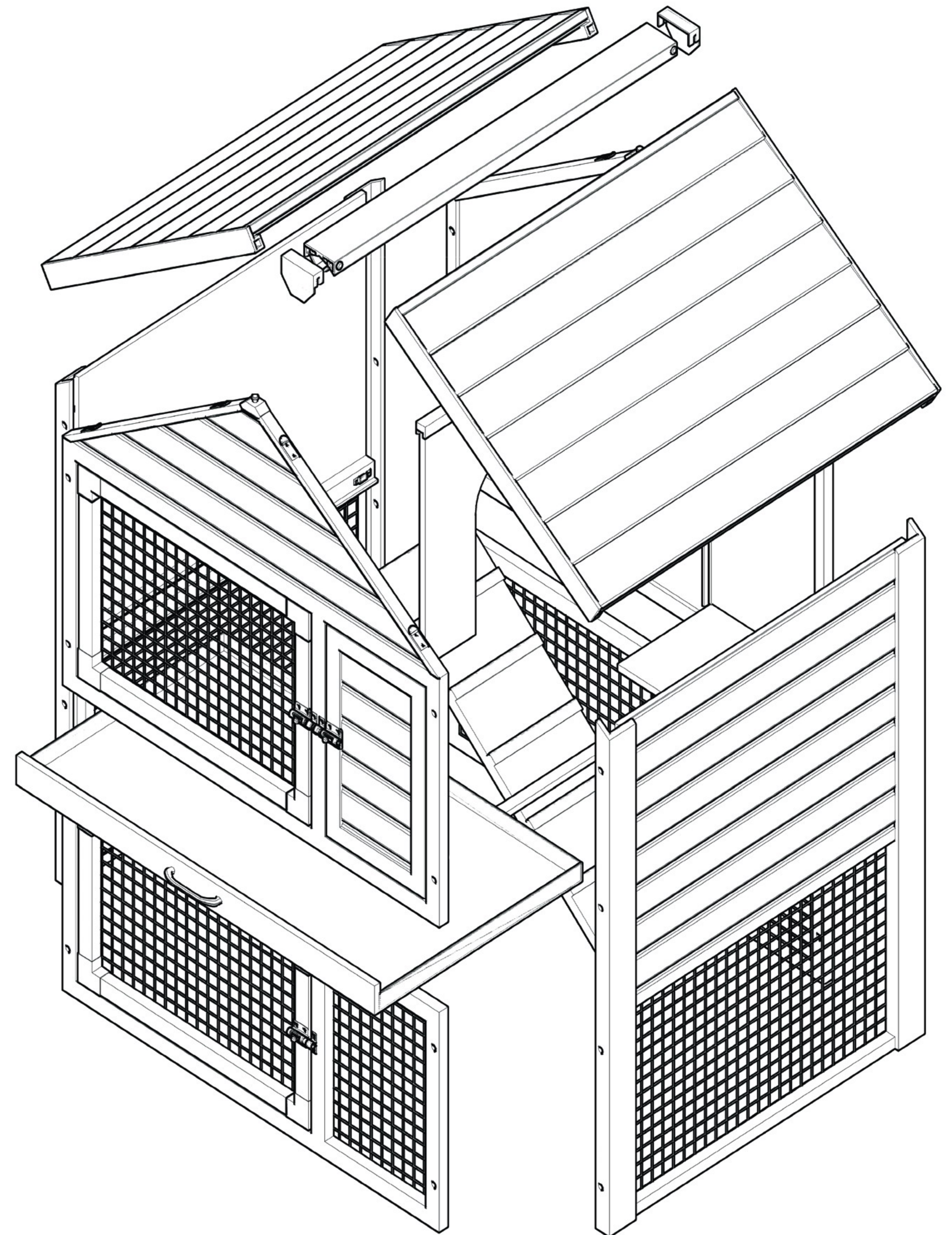
(B) × 1

Floor Support Bar



(C) × 2

Roof Rail End Cap



01 ——— Part #

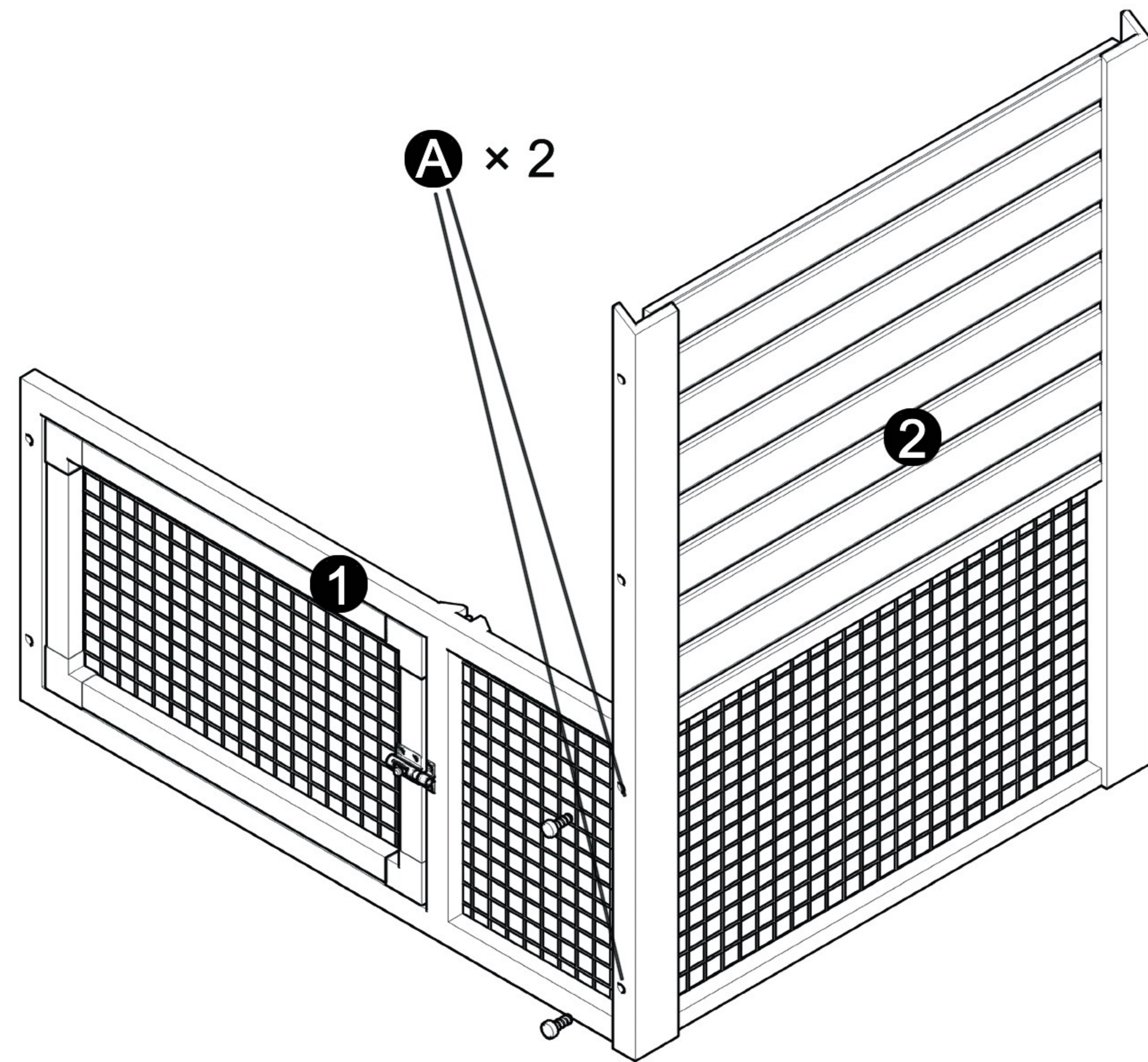


Part Label.

All Parts are labeled in the sequence of assembly.

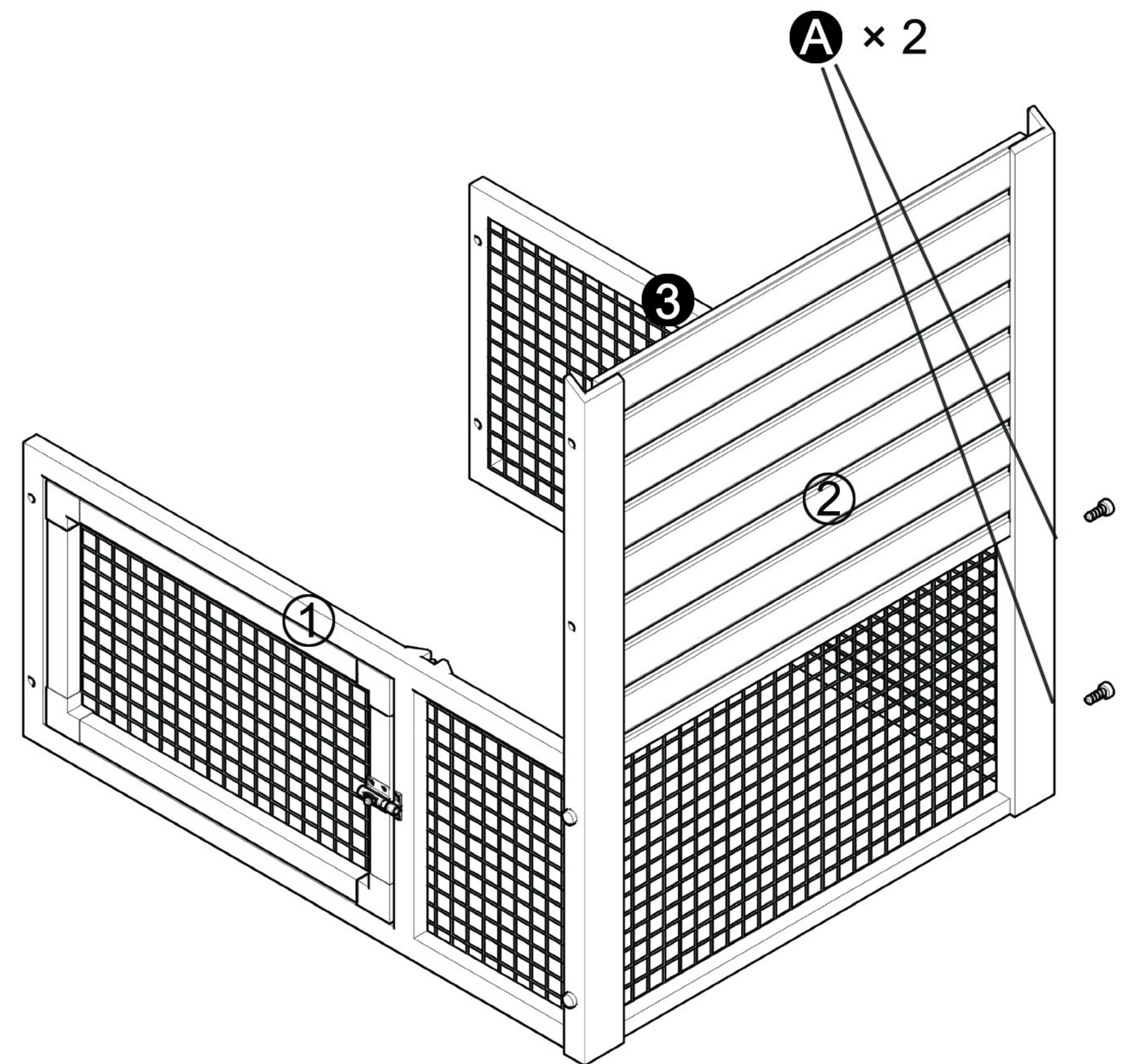
Step 1.

Attach front panel (1) to right wall panel (2) with 2 thumb screw (A).

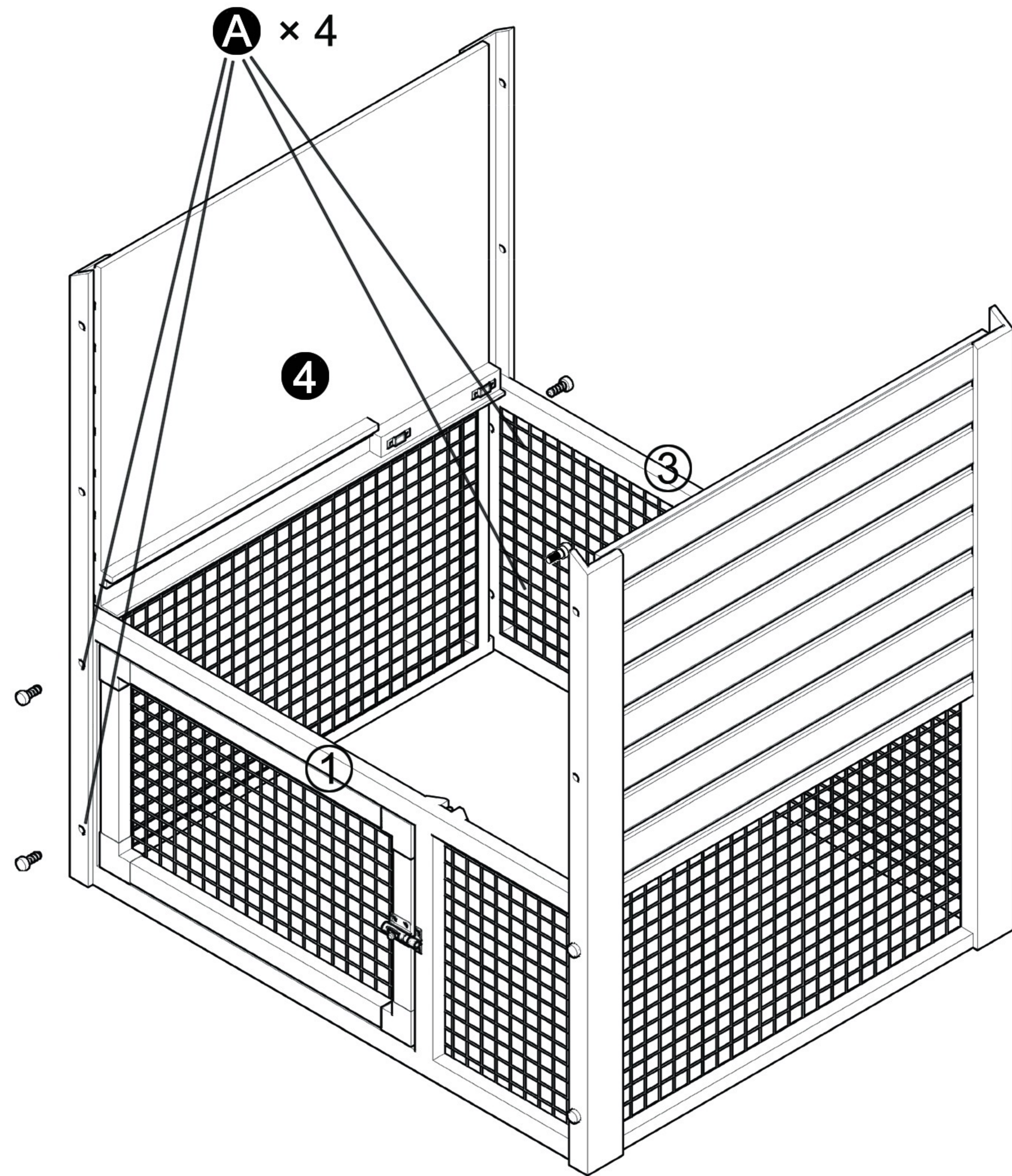


Step 2.

Attach back panel (3) to right wall panel (2) with 2 thumb screw (A).

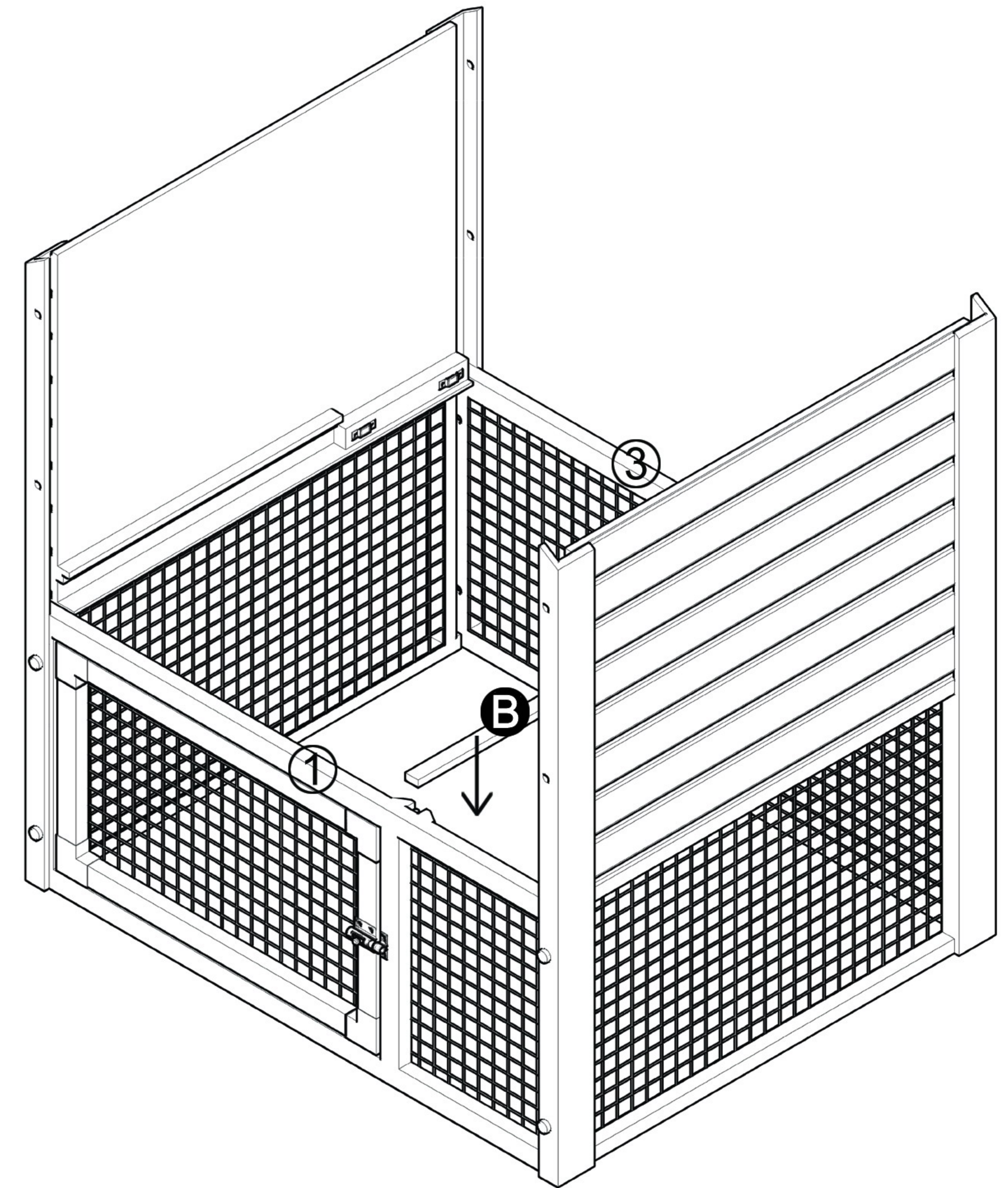


Step 3.

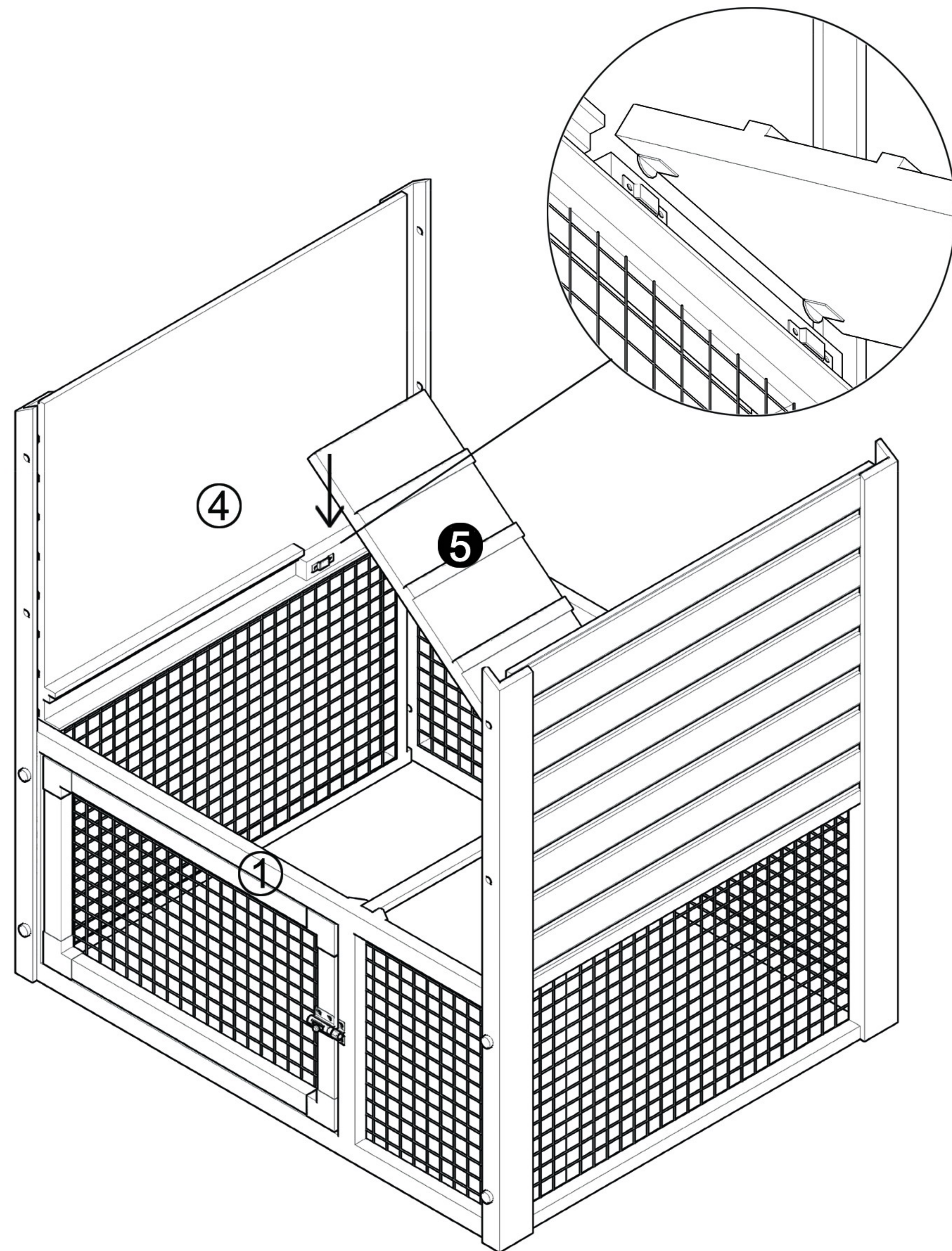


Step 4.

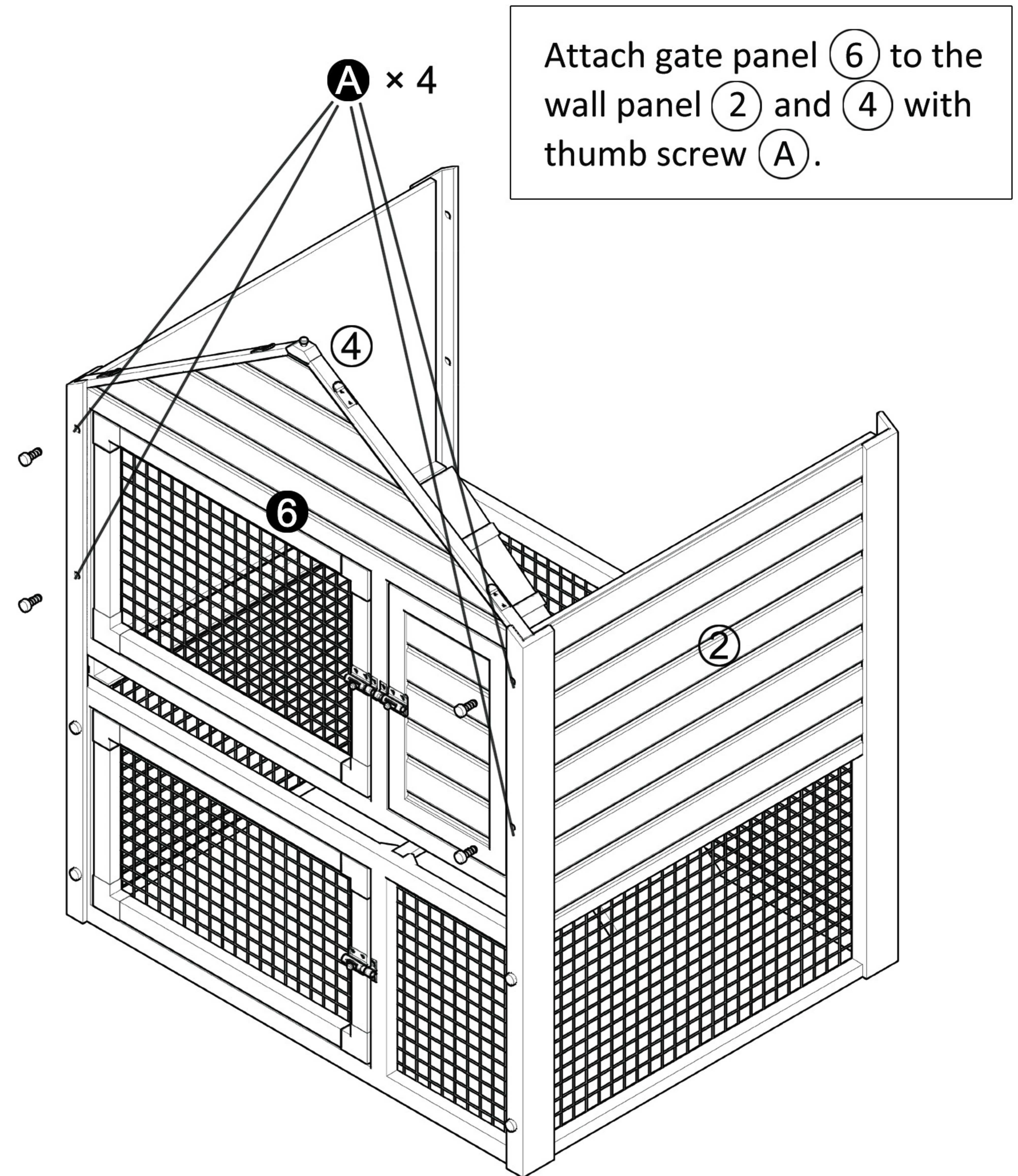
Secure floor support bar (B) into the plastic brackets preinstalled on the front and back panel (1) and (3).



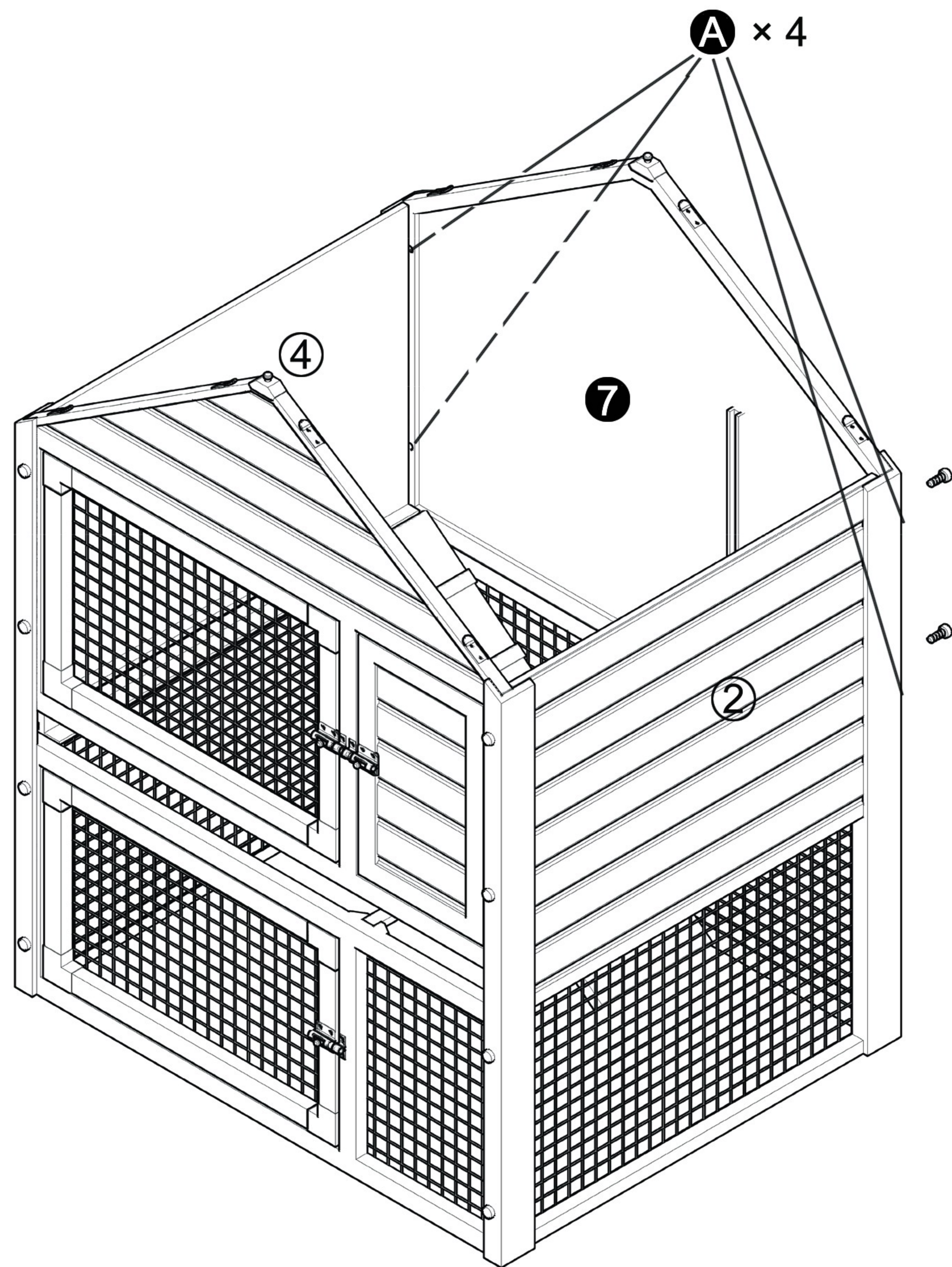
Step 5.



Step 6.

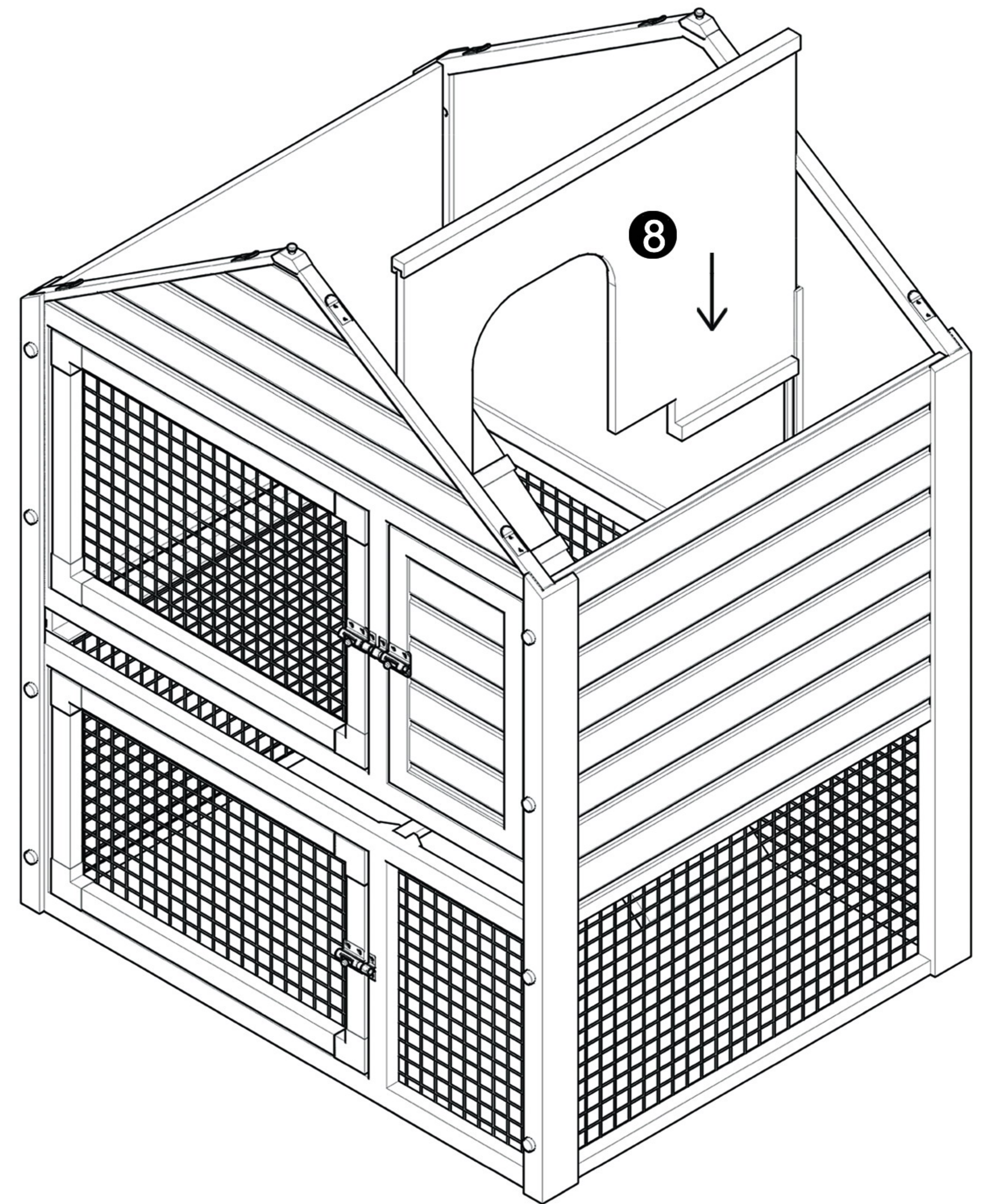


Step 7.



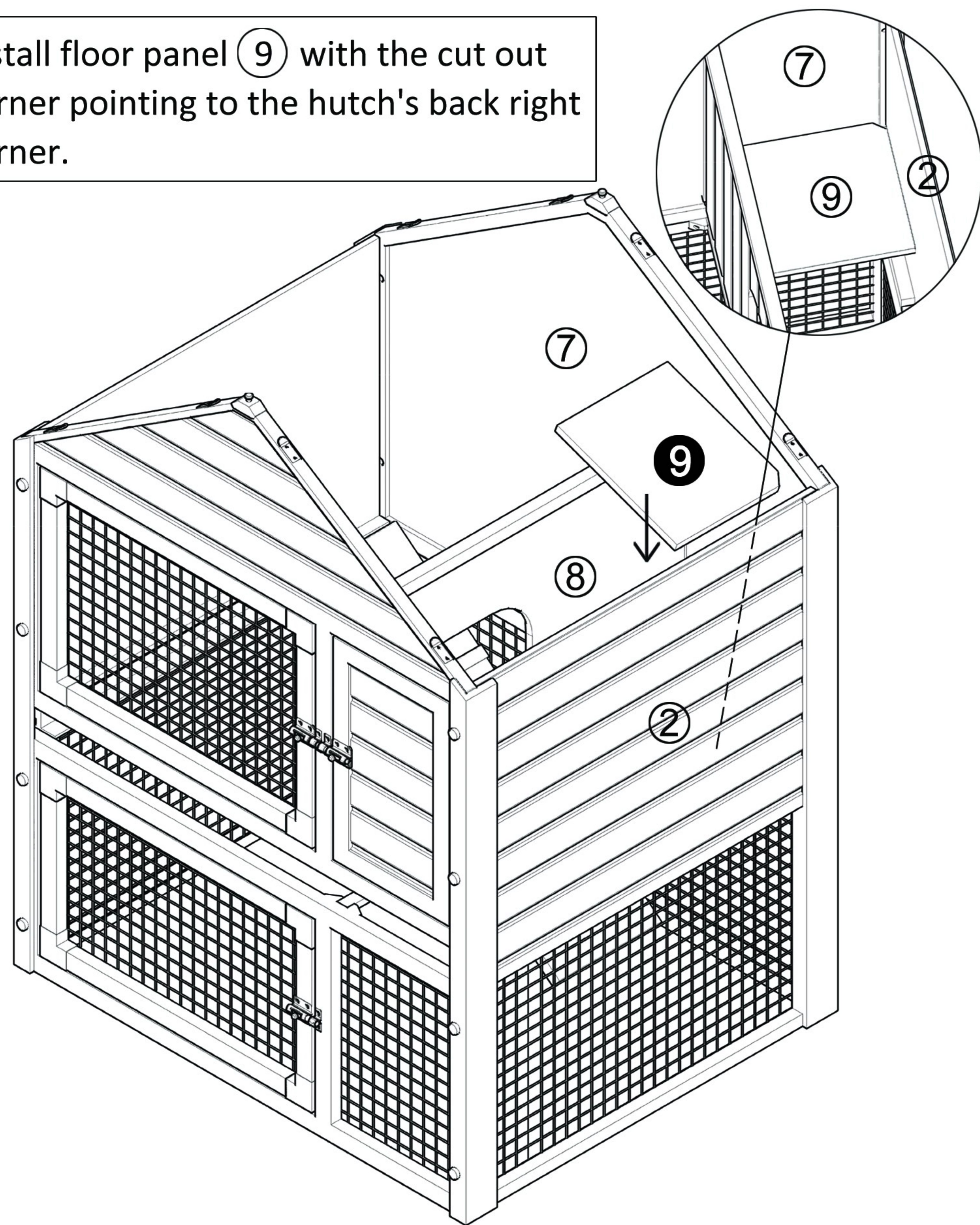
Step 8.

Slide in divider (8) along the rails preinstalled on the front and back panel (6) and (7).

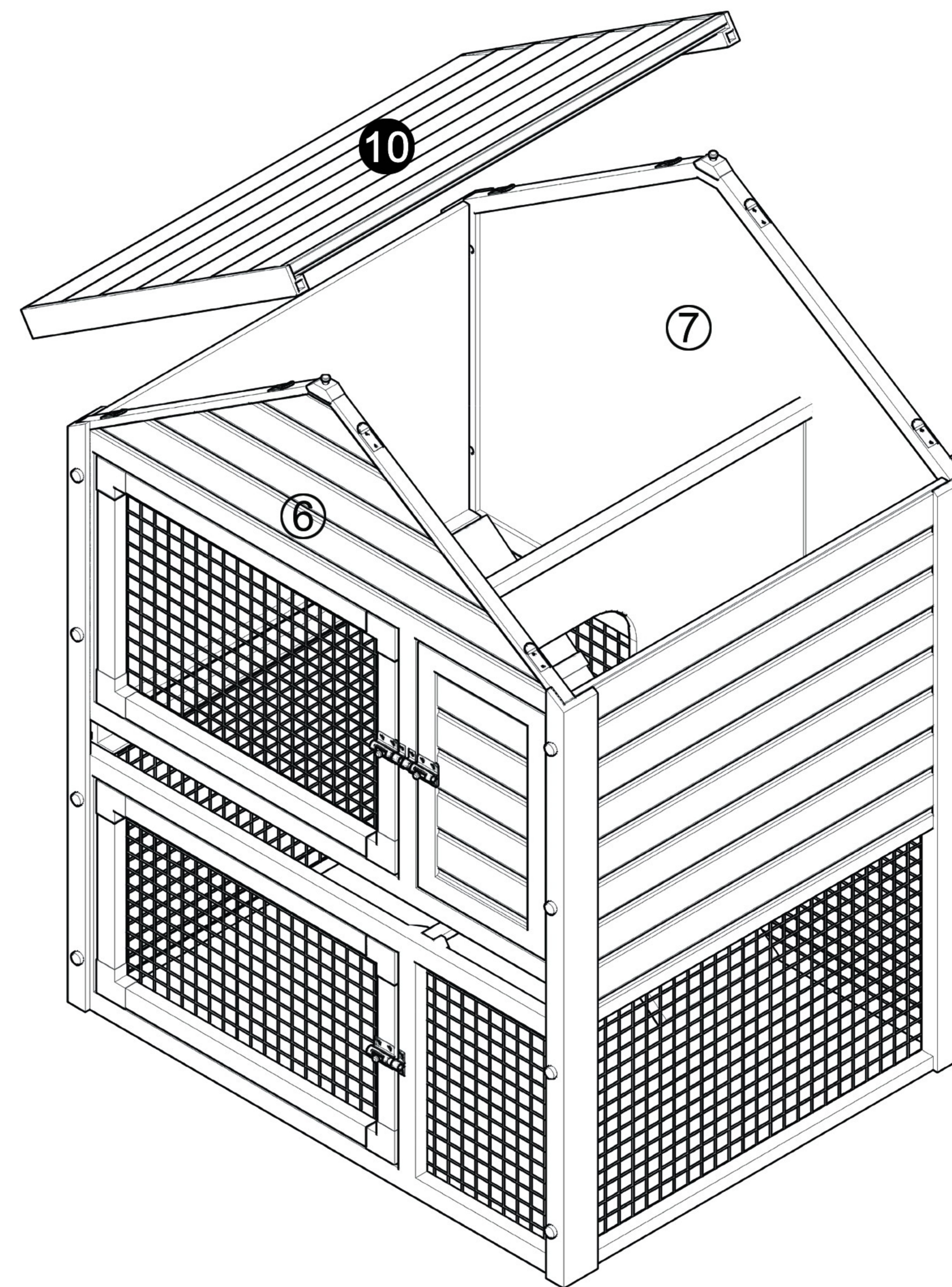


Step 9.

Install floor panel (9) with the cut out corner pointing to the hutch's back right corner.

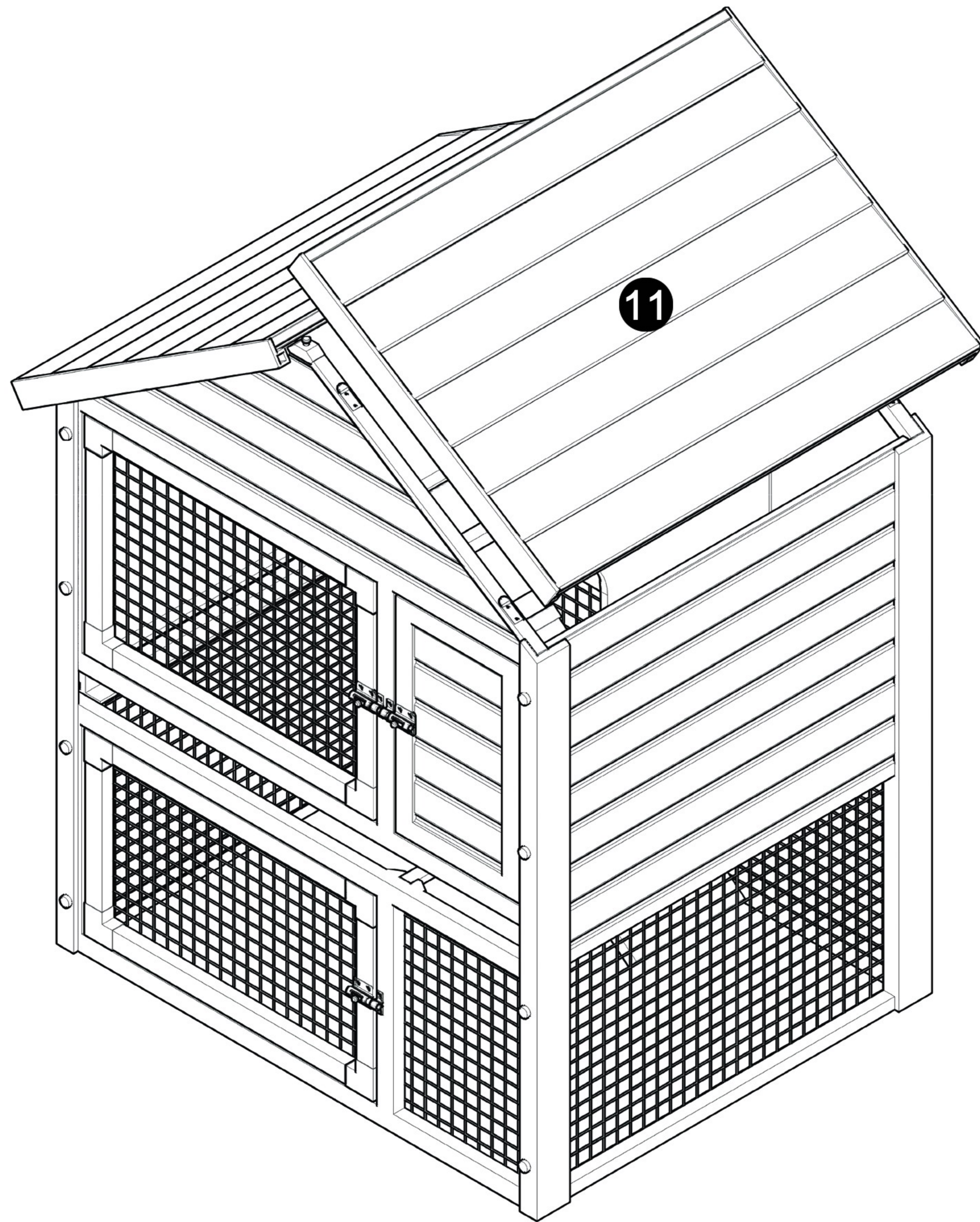


Step 10.



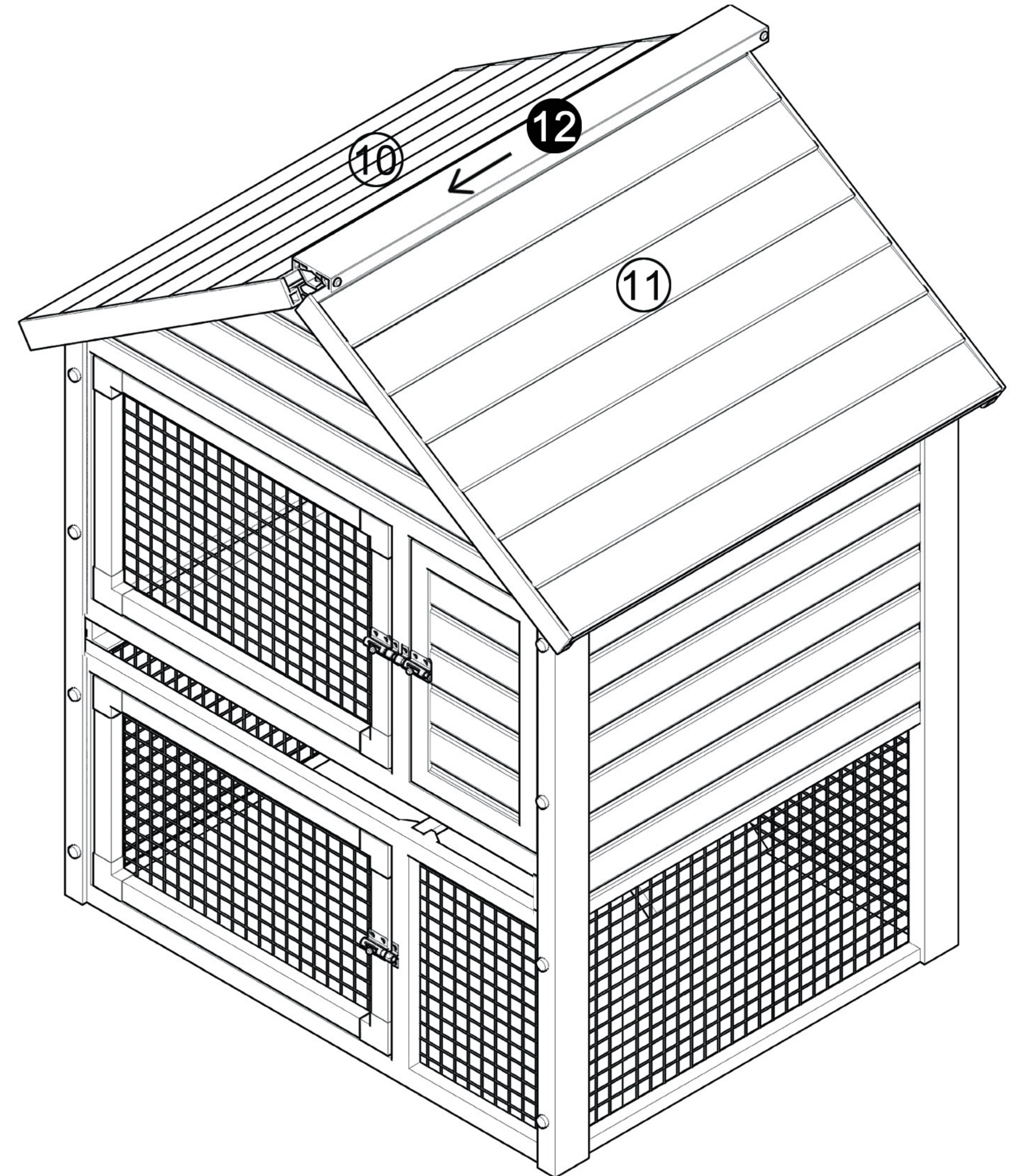
Locate 4 metal brackets on the roof panel (10), and 2 metal tabs each on the top edge of front and back panel (6) and (7). Install the roof panel by sliding the metal tabs into the corresponding brackets.

Step 11.

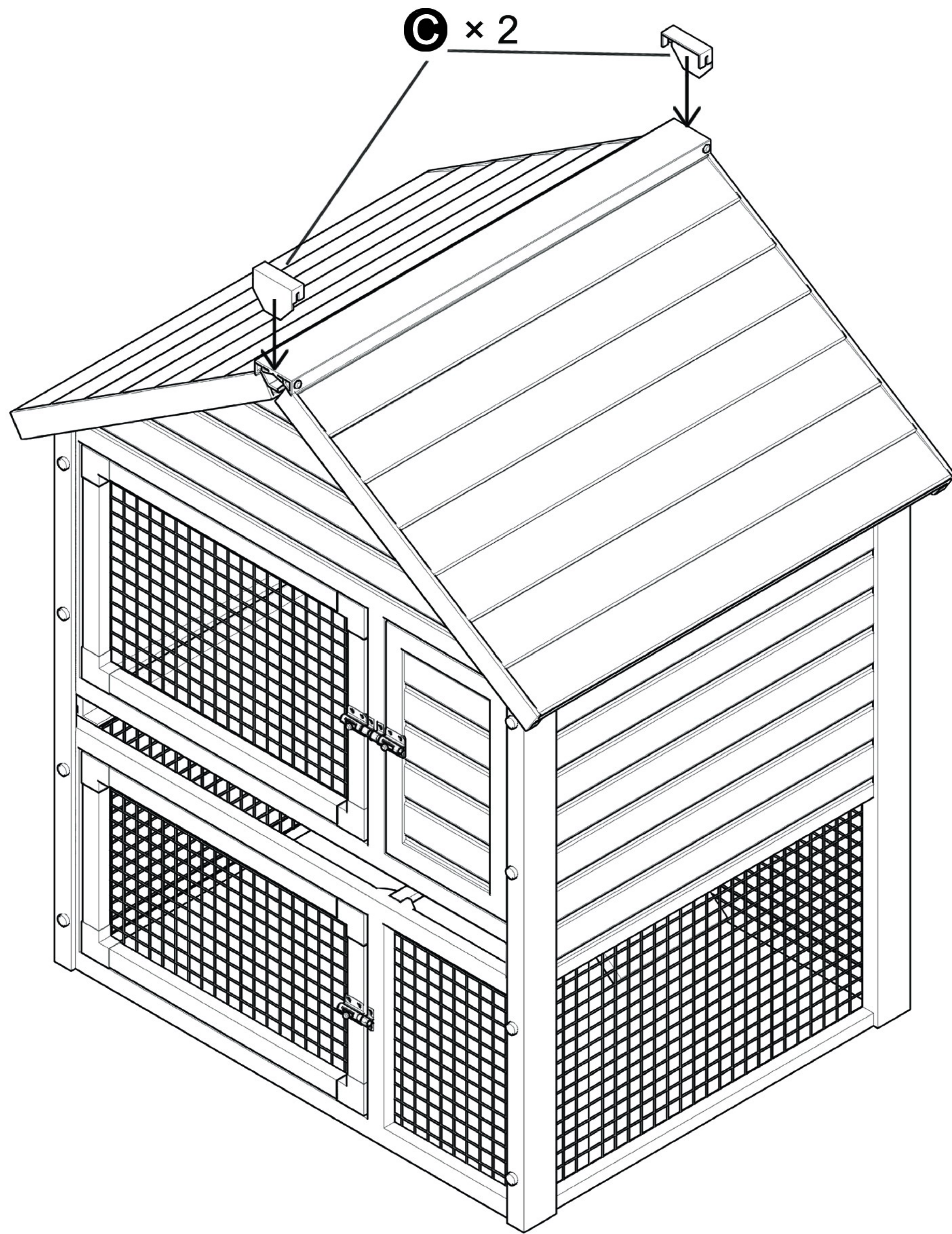


Step 12.

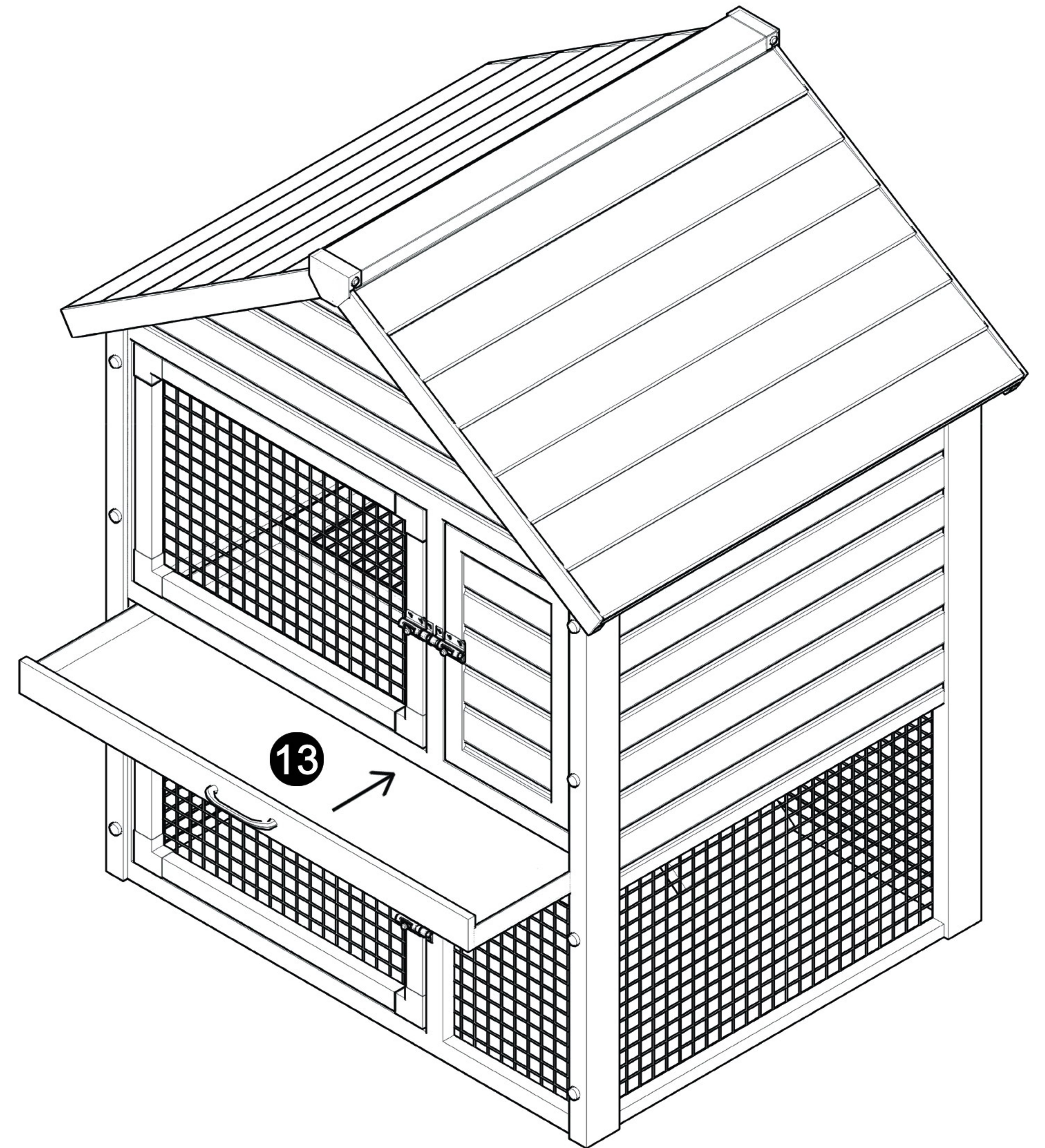
Align the keyhole openings on the roof rail (12) to the metal connectors at the peak of parts (10) and (11). Press down and push forward until the end.



Step 13.



Complete



Cleaning Instructions

It is very important to keep the hutch clean for healthy rabbits. The Easy to Assemble design will be appreciated when it is time to clean.

Reverse Step 13, 12, 11 and/or 10. You now have full access to the entire inside of the hutch.

We recommend using a detergent with strong grease cutting capabilities and safe to use around you, your kids and the rabbits. After washing, rinse and then wipe down the panels. Don't forget to clean the inside of the roof panel. Allow the interior to air dry thoroughly and reassemble.

Once the house is clean and dry, re-assemble the roof panel.



©2016 Pinta International, Inc.