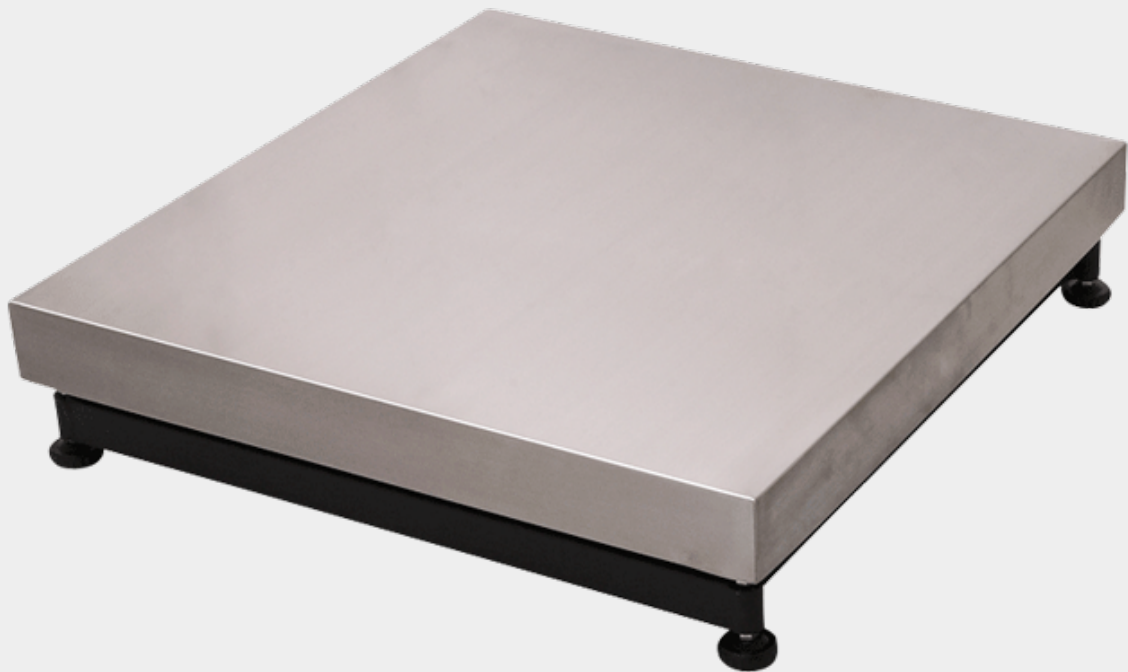




SINGLE LOAD CELL WEIGHING PLATFORMS ME SERIES

Top-of-floor or on table weighing platforms.



INFORMATION



TOP-OF-FLOOR



ON TABLE

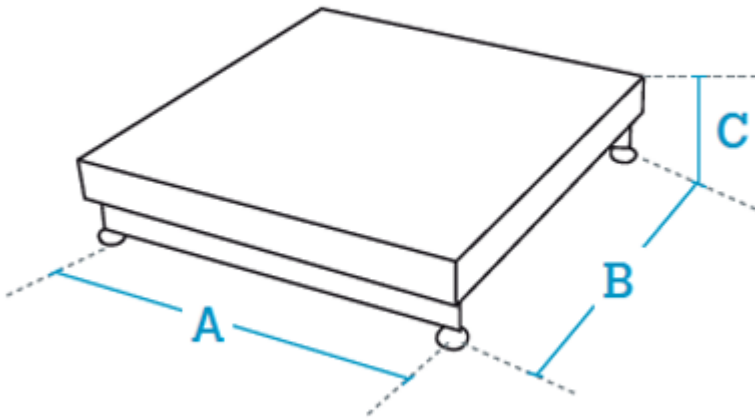


1 LOAD CELL



METROLOGICAL
VERIFICATION
OPTIONAL (EU)

Dibal ME single load cell weighing platforms with stainless steel plate are perfect for top-of-floor or on table installation. They offer a great precision and durability for weighing applications with small and medium range (from 6 kg to 600 kg). These platforms are connectable to Dibal or Cely weight indicators and Dibal manual labellers.



Data in mm

A	300 / 400 / 600 / 800
B	300 / 400 / 600 / 800
C	70-90 / 110-130 / 130-150 / 185-205 (min.-max.)*

* Height adjustable feet.

MAIN CHARACTERISTICS

- Top-of-floor or on table weighing platform.

- **1 load cell.**
- **Valid for legal metrology** (see section on equipment metrological verification).

CONSTRUCTION

- **3 versions available:**
 - A- Painted iron structure (RAL 5004), aluminium load cell (IP65) and AISI 304 stainless steel plate.
 - B- AISI 304 stainless steel structure, aluminium protected load cell (IP65) -no suitable for saline environments- and AISI 304 stainless steel plate.
 - C-AISI 304 stainless steel structure, load cell (IP67 for 600 kg 300 x 300, 400 x 400 and 800 x 800 mm platforms; and IP68 for 150 and 300 kg 600 x 600 mm and 800 x 800 mm platforms) and plate.
- **Height adjustable feet.**

POSSIBLE INTEGRATION WITH OTHER EQUIPMENT

- **Dibal weight indicators.**
- **Cely weight indicators.**
- **Dibal LP-545 manual weigh-price labellers.**
- **Cely PC-60 piece counting scale.**

MODELS

VERSION A

Iron structure - Aluminium load cell - Stainless steel plate

300 x 300 mm

- **Range 6 kg (3,000 div.):** 75PR006303080_ _ _
- **Range 15 kg (3,000 div.):** 75PR015303080_ _ _
- **Range 30 kg (3,000 div.):** 75PR030303080_ _ _
- **Range 60 kg (3,000 div.):** 75PR060303080_ _ _

400 x 400 mm

- **Range 15 kg (3,000 div.):** 75PR015404080_ _ _
- **Range 30 kg (3,000 div.):** 75PR030404080_ _ _
- **Range 60 kg (3,000 div.):** 75PR060404080_ _ _
- **Range 150 kg (3,000 div.):** 75PR150404080_ _ _

600 x 600 mm

- **Range 60 kg (3,000 div.):** 75PR060606080_ _ _
- **Range 150 kg (3,000 div.):** 75PR150606080_ _ _
- **Range 300 kg (3,000 div.):** 75PR300606080_ _ _

800 x 800 mm

- **Range 150 kg (3,000 div.):** 75PR150808080_ _ _
- **Range 300 kg (3,000 div.):** 75PR300808080_ _ _
- **Range 600 kg (3,000 div.):** 75PR600808080_ _ _

For multi-range option, contact us.

VERSION B

Stainless steel structure - Aluminium load cell - Stainless steel plate

300 x 300 mm

- **Range 6 kg (3,000 div.):** 75PC006303080_ _ _
- **Range 15 kg (3,000 div.):** 75PC015303080_ _ _
- **Range 30 kg (3,000 div.):** 75PC030303080_ _ _

400 x 400 mm

- **Range 15 kg (3,000 div.):** 75PC015404080_ _ _
- **Range 30 kg (3,000 div.):** 75PC030404080_ _ _
- **Range 60 kg (3,000 div.):** 75PC060404080_ _ _
- **Range 150 kg (3,000 div.):** 75PC150404080_ _ _

600 x 600 mm

- **Range 60 kg (3,000 div.):** 75PC060606080_ _ _
- **Range 150 kg (3,000 div.):** 75PC150606080_ _ _
- **Range 300 kg (3,000 div.):** 75PC300606080_ _ _

800 x 800 mm

- **Range 150 kg (3,000 div.):** 75PC150808080_ _ _
- **Range 300 kg (3,000 div.):** 75PC300808080_ _ _

For multi-range option, contact us.

VERSION C

Fully stainless steel

300 x 300 mm

- **Range 6 kg (3,000 div.):** 75PS006303080_ _ _
- **Range 15 kg (3,000 div.):** 75PS015303080_ _ _
- **Range 30 kg (3,000 div.):** 75PS030303080_ _ _
- **Range 60 kg (3,000 div.):** 75PS060303080_ _ _

400 x 400 mm

- **Range 15 kg (3,000 div.):** 75PS015404080_ _ _
- **Range 30 kg (3,000 div.):** 75PS030404080_ _ _
- **Range 60 kg (3,000 div.):** 75PS060404080_ _ _
- **Range 150 kg (3,000 div.):** 75PS150404080_ _ _

600 x 600 mm

- **Range 60 kg (3,000 div.):** 75PS060606080_ _ _
- **Range 150 kg (3,000 div.):** 75PS150606080_ _ _
- **Range 300 kg (3,000 div.):** 75PS300606080_ _ _

800 x 800 mm

- **Range 150 kg (3,000 div.):** 75PS150808080_ _ _
- **Range 300 kg (3,000 div.):** 75PS300808080_ _ _
- **Range 600 kg (3,000 div.):** 75PS600808080_ _ _

For multi-range option, contact us.

OPTIONS

OPTION	CHARACTERISTICS	REF.
Metrological verification (M)	According to EU weighing directives for indicator + platform assemblies. (See section on equipment metrological verification).	Contact us

ACCESSORIES



IRON COLUMN KIT FOR DMI-610 BASIC ABS AND DMI-610 ABS INDICATORS

- H330 mm (only for 300 x 300 mm platforms).
- H660 mm (except for 300 x 300 mm platforms).



IRON COLUMN KIT FOR VC-50 M INDICATOR

- H330 mm (only for 300 x 300 mm platforms).
- H660 mm (except for 300 x 300 mm platforms).



STAINLESS STEEL COLUMN KIT FOR DMI-610 S. STEEL, DMI-620, AND CELY VC-80 I INDICATORS

- H330 mm (only for 300 x 300 mm platforms).
- H660 mm (except for 300 x 300 mm platforms).



Astintze, 26
48160 Derio (Vizcaya) Spain
T. (+34) 94 452 15 10
E. dibal@dibal.com