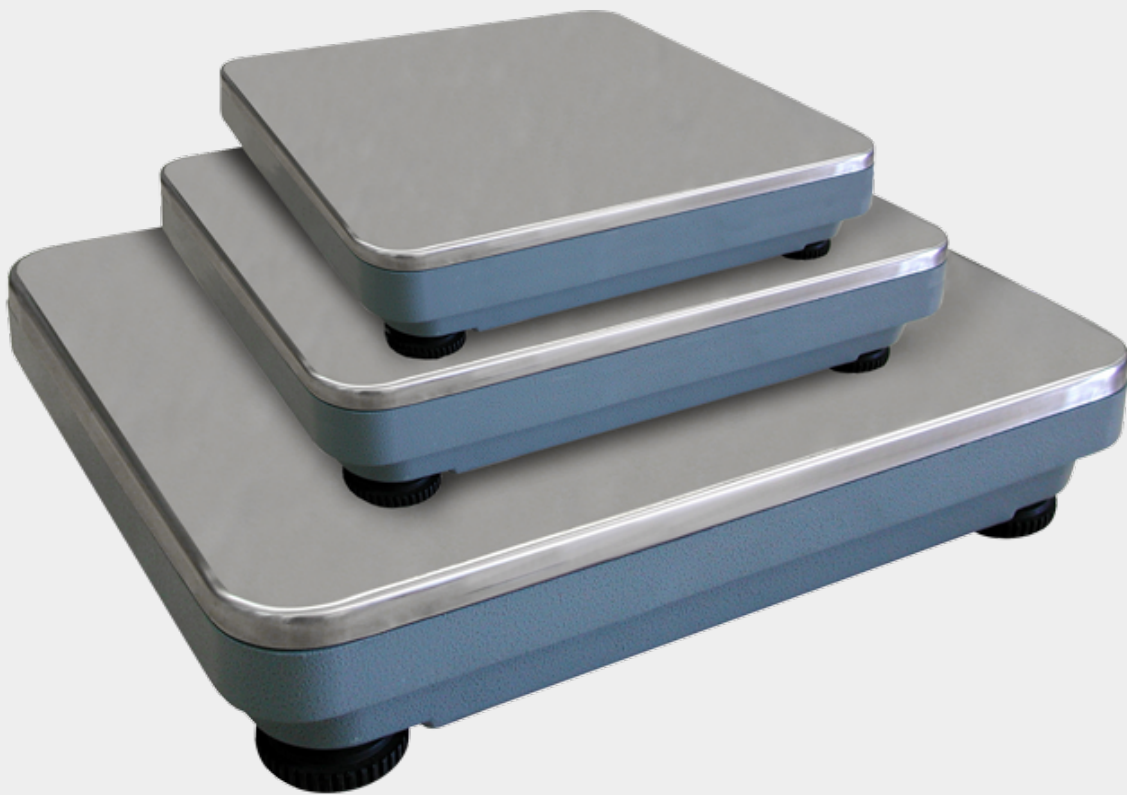




# SINGLE LOAD CELL WEIGHING PLATFORMS MA SERIES

Top-of-floor or on table weighing platforms.



# INFORMATION



TOP-OF-FLOOR



ON TABLE

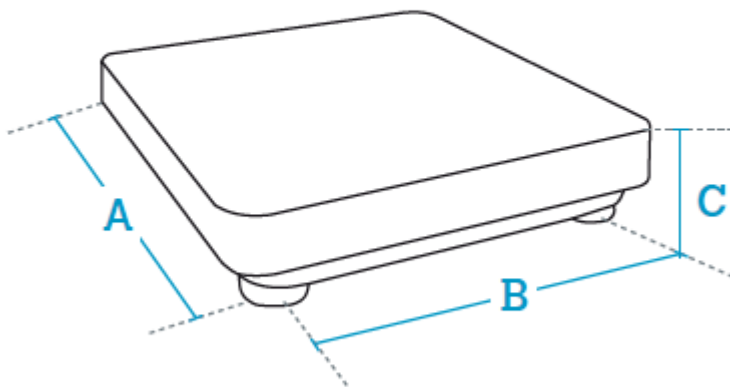


1 LOAD CELL



METROLOGICAL  
VERIFICATION  
OPTIONAL (EU)

Dibal MA single load cell weighing platforms, for top-of-floor or on table installation, offer a great precision for weighing applications with small and medium range (from 30 kg to 600 kg). Its stainless steel plate assures its strength and durability. These platforms can be connected to Dibal or Cely weight indicators, or Dibal manual labellers.



## Data in mm

A	350 / 420 / 600
B	450 / 520 / 800
C	75-90 / 125-140 / 140-155 (min.-max.) *

\* Height adjustable feet.

## MAIN CHARACTERISTICS

- Top-of-floor or on table weighing platform.

- **1 load cell.**
- **Valid for legal metrology** (see section on equipment metrological verification).

## CONSTRUCTION

- **Structure:**
  - Blue painted steel (aluminium in 420 x 520 mm model).
- **Aluminium load cell (IP65).**
- **Plate:**
  - Stainless steel.
- **Height adjustable feet.**

## POSSIBLE INTEGRATION WITH OTHER EQUIPMENT

- **Dibal weight indicators.**
- **Cely weight indicators.**
- **Dibal LP-545 manual weigh-price labellers.**

# MODELS

---

---

## 350 X 450 MM

- **Range 30 kg (3,000 div.):**
  - Ref.: 71AS3545002\_ \_ \_
- **Range 60 kg (3,000 div.):**
  - Ref.: 71AS3545001\_ \_ \_
- **Range 150 kg (3,000 div.):**
  - Ref.: 71AS3545003\_ \_ \_

---

## 420 X 520 MM

- **Range 60 kg (3,000 div.):**
  - Ref.: 71AM4252001\_ \_ \_
- **Range 150 kg (3,000 div.):**
  - Ref.: 71AM4252003\_ \_ \_
- **Range 300 kg (3,000 div.):**
  - Ref.: 71AM4252004\_ \_ \_

---

## 600 X 800 MM

- **Range 300 kg (3,000 div.):**
  - 71AL6080004\_ \_ \_
- **Range 600 kg (3,000 div.):**
  - 71AL6080005\_ \_ \_

## OPTIONS

---

OPTION	CHARACTERISTICS	REF.
<b>Metrological verification (M)</b>	According to EU weighing directives for indicator + platform assemblies. (See section on equipment metrological verification).	Contact us



Astintze, 26  
48160 Derio (Vizcaya) Spain  
**T.** (+34) 94 452 15 10  
**E.** [dibal@dibal.com](mailto:dibal@dibal.com)