



CHECKOUT SCALES DPOS-400 SERIES

Weight only or price computing scales, with POS or ECR connection. One or two displays on platform or pole mounted.



INFORMATION



GRAPHIC
LCD DISPLAY



RS-232

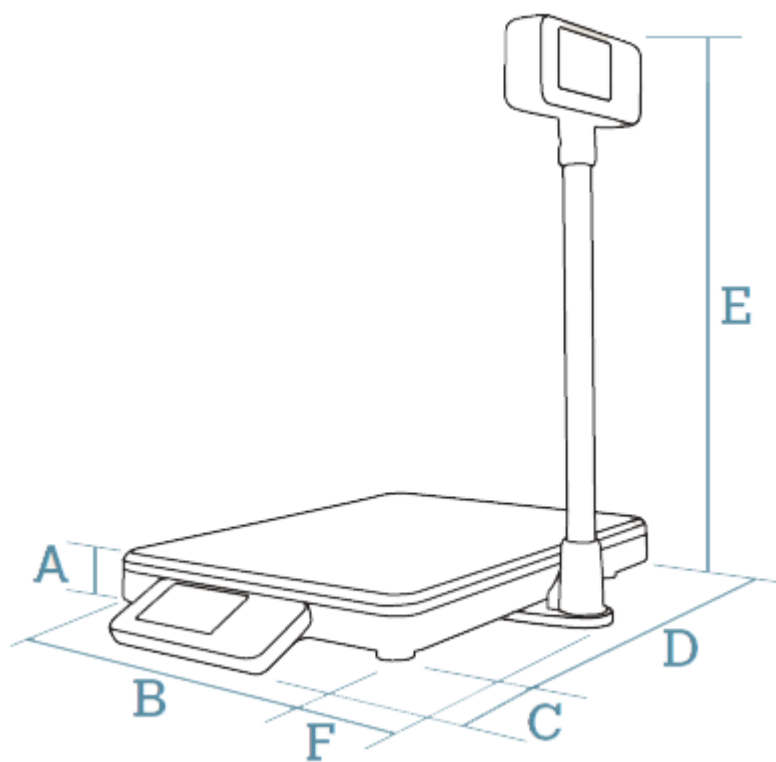


USB



M
METROLOGICAL
VERIFICATION
OPTIONAL (EU)

Dibal DPOS-400 are the optimal solution to integrate weighing tasks in the point of sale. Weight only or price computing scales connectable to ECR or POS. Their compact and versatile design allows the installation of one or two displays on platform or pole mounted.



Data in mm

A	50
B	275
C	65
D	345
E	420
F	45

Plate dimensions: L300 x W230 mm

MAIN CHARACTERISTICS

- **Weight only or price computing scale for checkout applications.**
- **Modular and modern design.**
- **Easy integration into counters.**
- **ECR / POS connection.**
- **Optional tempered glass plate. Customizable with client's logo.**
- **Valid for legal metrology.**

FEATURES

- **EAN heading programming (according to the communication protocol).**
- **Tare, fix tare and manual zero.**
- **Display of price in a secondary currency.**
- **Energy saving via programmable on and off back lighting switching and automatic disconnection.**
- **Power supply and communications through one single USB cable.**

CAPACITY / ACCURACY

- **Multirange (3,000 divisions): 6 kg / 2 g - 15 kg / 5 g.**
- **Optional:**
 - **Monorange (3,000 divisions): 15 kg / 5 g.**

FORMATS

- **Flat.**
- **Pole.**

CONSTRUCTION

- **Structure:**
 - **ABS plastic casing.**
- **Displays:**
 - **Easy to install in multiple positions 1 or 2 displays.**
 - **Backlit LCD matrix graphic display.**
 - **5 digits (up to H20 mm) per display.**
 - **Show only weight or weight, price/kg and total (connected to POS and depending on the communication protocol).**
- **3-key keyboard.**
- **Stainless steel plate.**
- **Optional:**
 - **Tempered glass plate (customizable with client's logo).**

COMMUNICATION TO PC / POS / ECR

- **RS-232 interface.**

- **USB.**
- **Communication protocols available for the main POS and ECR in the market.**
- **Multi-protocols: the communication protocol is selected in the scale among the available ones. New protocols can be added from PC by telecharge (maximum: 60 protocols).**

POWER SUPPLY

- **Mains: 110/240 VAC through a USB cable with an AC/DC 5 V / 500 mA adapter.**
- **Others: through a USB cable (PC, etc.).**

MODELS

DPOS-400 F - 1 DISP.

Ref.: 7POSP00LNE__

Flat format

- **Vendor display:** LCD matrix graphic.
- **Buyer display:** (Without buyer display).
- **Communication protocols:** 60, upgradeable.
- **Power:** Mains or others through USB.
- **Capacity/Accuracy:** 6 kg / 2 g - 15 kg / 5 g.

DPOS-400 F - 2 DISP.

Ref.: 7POSPP0LNE__

Flat format

- **Vendor display:** LCD matrix graphic.
- **Buyer display:** LCD matrix graphic.
- **Communication protocols:** 60, upgradeable.
- **Power:** Mains or others through USB.
- **Capacity/Accuracy:** 6 kg / 2 g - 15 kg / 5 g.

DPOS-400 P - 1 DISP.

Ref.: 7POST00LNE__

Pole Format

- **Vendor display:** LCD matrix graphic.

- **Buyer display:** (Without buyer display).
- **Communication protocols:** 60, upgradeable.
- **Power:** Mains or others through USB.
- **Capacity/Accuracy:** 6 kg / 2 g - 15 kg / 5 g.

DPOS-400 P - 2 DISP.

Ref.: 7POSTTOLNE__

Pole Format

- **Vendor display:** LCD matrix graphic.
- **Buyer display:** LCD matrix graphic.
- **Communication protocols:** 60, upgradeable.
- **Power:** Mains or others through USB.
- **Capacity/Accuracy:** 6 kg / 2 g - 15 kg / 5 g.

DPOS-400 P - 2 DISP. (1 IN BASE AND 1 IN POLE)

Ref.: 7POSPTOLNE__

Pole Format

- **Vendor display:** LCD matrix graphic.
- **Buyer display:** LCD matrix graphic.
- **Communication protocols:** 60, upgradeable.
- **Power:** Mains or others through USB.
- **Capacity/Accuracy:** 6 kg / 2 g - 15 kg / 5 g.

OPTIONS

OPTION	CHARACTERISTICS	REF.
Capacity 15 kg / 5 g	Multirange (3,000 divisions).	...N__ (*)
Metrological verification (M)	According to EU weighing directives. (See section on equipment metrological verification)	Contact us

OPTION

CHARACTERISTICS

REF.

(*)

The scale references with this capacity are obtained by replacing the last characters of the reference for the standard scale with the indicated ending.

ACCESSORIES



TEMPERED GLASS PLATE (CUSTOMIZABLE)

Stainless steel plate also included.



Astintze, 26
48160 Derio (Vizcaya) Spain
T. (+34) 94 452 15 10
E. dibal@dibal.com