



cubby

# Cubby Bed Manual

Read all instructions + warnings before use  
Contact us: (855) 964-2664





# Table of Contents

---

**03** USER INFORMATION + WARNINGS

---

**04** ASSEMBLY INSTRUCTIONS

---

**15** FAQs + HOW TO USE CUBBY BED

---

**18** WARRANTY

---

**22** MAINTENANCE CHECKLIST

---

**23** HOW TO CARE FOR YOUR CUBBY

---

# Important User Information

READ THIS USER MANUAL AND ALL INSTRUCTIONS, AND WARNINGS BEFORE USE OF THE PRODUCT  
KEEP ALL INSTRUCTIONS, INFORMATION AND WARNINGS FOR FUTURE USE

## ⚠️ WARNING

- WARNING: Failure to follow warnings, information and instructions could result in serious injury or death (keep instructions, warnings, and product information for future reference).
- Read and understand all instructions, warnings, and information BEFORE USING this product. KEEP INSTRUCTIONS FOR FUTURE USE.
- DO NOT use this product if you do not understand or cannot follow the accompanying warnings and instructions.
- DO NOT allow anyone to climb or hang from the product.
- DO NOT allow anyone to jump on or against the product.
- You are responsible for providing adult supervision when using this product.

## ⚠️ CARE + MAINTENANCE

- Use the maintenance checklist in the manual to inspect the canopy, seams, zippers, electronic accessories, cords, metal frame, screws, slats, locks, and Safety Sheets every 30 days.
- If any damage is present, immediately discontinue use and contact Cubby for repair or replacement.
- The frame, canopy + sheets may be wiped clean using household soap, mild cleaning solution or detergent, warm water and a damp cloth.
- Do not use harsh or abrasive cleaners.
- Rinse clean with water to remove residue.
- Do not immerse electronic components.
- To clean Safety Sheet – use only household soap or detergents and warm water. No bleach.
- Do not exceed the 1000 lbs. weight limit.

## ⚠️ WARNING

- CHOKING HAZARD - Keep small parts and packaging away from children.
- If Cubby has wheels, lock them to avoid movement.
- Check this product for damaged hardware, loose joints, loose bolts or other fasteners, missing parts or sharp edges before and after assembly and frequently during use. Securely tighten loose bolts and other fasteners.
- DO NOT use product if any parts are missing, damaged or broken. Contact Cubby for replacement parts and instructional literature if needed. DO NOT substitute parts.
- No co-sleeping, pets or other siblings in Cubby.
- Use this product with only one person at a time.
- NEVER leave patient user unattended for extended periods of time without monitoring and sensory stimulation.

## ⚠️ WARNING - ELECTRONIC ACCESSORIES

- Camera can detect motion and sound but it is NOT a seizure detector.
- Electronics hub can be used as a monitoring tool/aide. It is not a replacement for appropriate adult supervision.
- Use only provided electrical cables or cords.
- Discontinue use and contact Cubby immediately if cables or cords are frayed or damaged.
- WARNING - To prevent electric shock, do not immerse electronic accessories in water. Wipe clean with a damp cloth.
- Periodically examine electronic accessories of this product for damage to the cord, housing or other parts that may result in the risk of fire, electric shock or injury. IF THE PRODUCT IS DAMAGED, DO NOT USE IT.

## ⚠️ WARNING - STRANGULATION HAZARD

### CHILDREN HAVE DIED IN BEDS FROM STRANGULATION + SUFFOCATION

- NEVER place Cubby bed near windows where cords from blinds or drapes may strangle a child.
- NEVER suspend strings, tubes, ropes, or cords over or in Cubby.
- NEVER place items with string, tube, cord, rope or ribbon around child's neck or in the Cubby. These items may catch on bed parts.
- Always monitor when using oxygen, feeding, or other tubes as they can be a risk.
- Children can suffocate or be strangled by soft bedding, blankets, or pillows.
- Cubby must have 12 inches of space in between the product and solid objects.

## ⚠️ WARNING - ENTRAPMENT HAZARD

### CHILDREN HAVE DIED IN BEDS FROM ENTRAPMENT

- Openings in and between bed parts can entrap head and neck.
- NEVER use CUBBY with children younger than 18 months.
- ALWAYS follow assembly instructions.
- To avoid dangerous gaps DO NOT USE THIS PRODUCT without the Safety Sheets completely zipped and locked in place to the sidewall.
- Safety Sheet with lock in place is always required.
- DO NOT use this product without a mattress (FULL SIZE MATTRESS: 75" L x 54" W; 8-10 inches THICK).
- If sudden infant death syndrome or similar is a concern, DO NOT use the Cubby bed.

## CONTACT + WARRANTY

### To Register + View Your Warranty

[CubbyBeds.com/pages/warranty](https://CubbyBeds.com/pages/warranty)

### Cubby Bed Contact Info

📍 Sensory Medical, Inc.  
1580 Logan St, #500  
Denver, CO 80203

✉ Email - [Support@CubbyBeds.com](mailto:Support@CubbyBeds.com)  
📞 Phone - (855) 964-2664  
🌐 [CubbyBeds.com](https://CubbyBeds.com)

Intended Use: The Cubby Bed is an enclosed canopy bed designed for people with cognitive conditions and special needs to provide a safe environment and to prevent bed exit and injury. The tensioned walls provide padding and the safety sheets are designed to guard against burrowing or entrapment.



# Welcome to Your New Cubby Bed!

Our team has spent hundreds of hours designing, manufacturing and testing this product. We hope it will bring rest and joy to you and your loved one.

Follow these step by step instructions to set up your bed.  
If you have any questions or issues, contact us anytime.



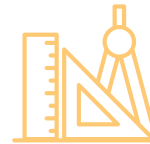
## Setup Time

1-2 Hours



## People Required

1 But 2 Will Make It Easier



## Tools Required

2 Hex Keys (Included)

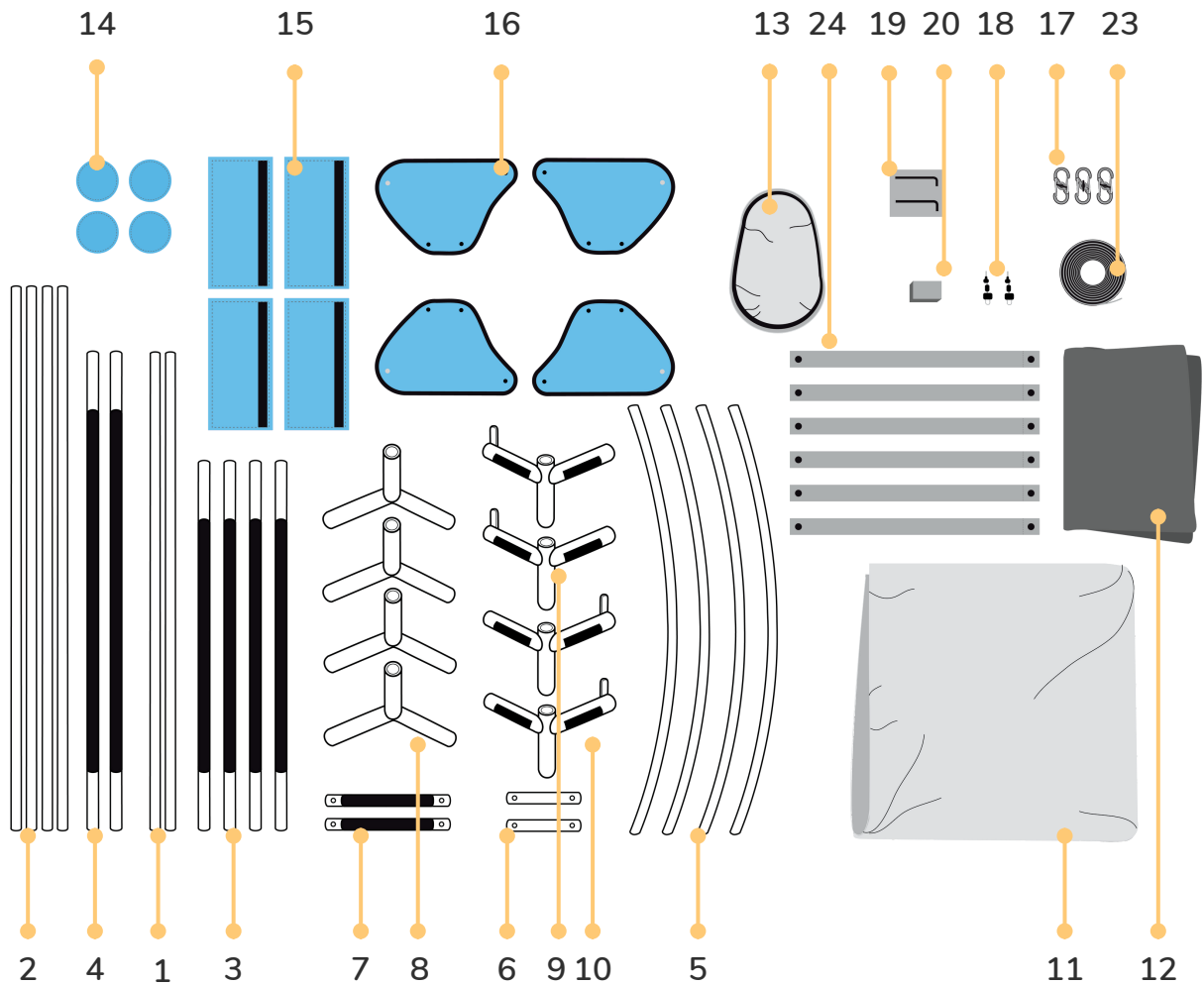
## Questions?

Email Us: [Support@CubbyBeds.com](mailto:Support@CubbyBeds.com)

Text Or Call Us: (855) 964-2664

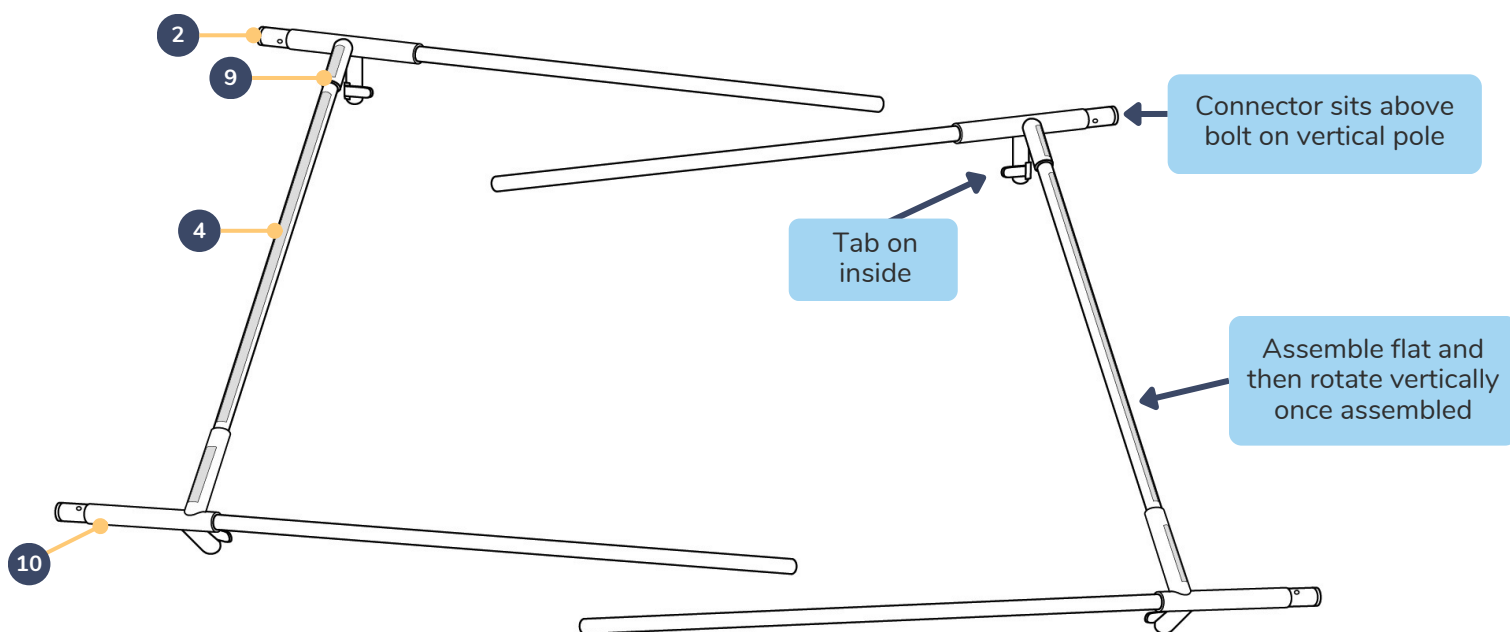


# Parts List

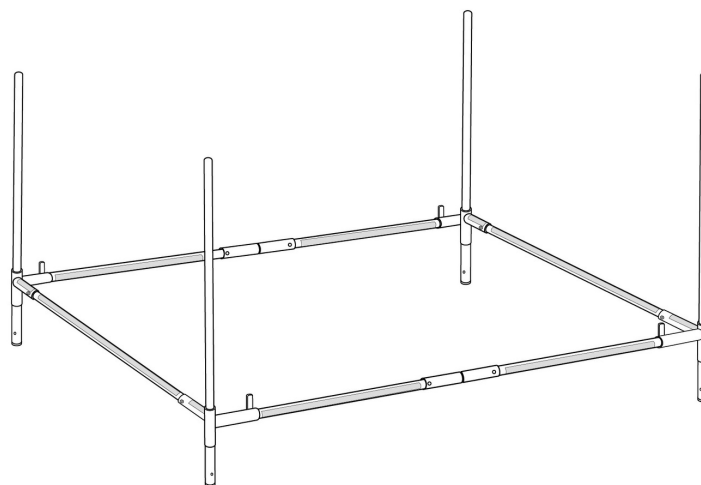
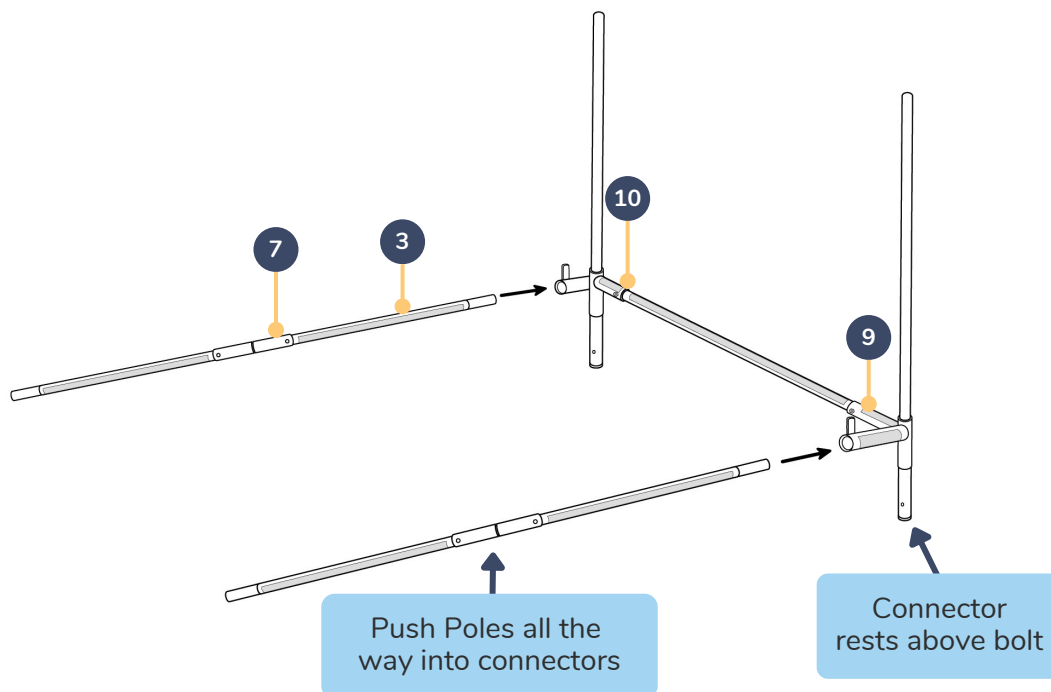


- |                             |                                 |  |
|-----------------------------|---------------------------------|--|
| 1 Top End Pole (x2)         | 8 Top Corner Connector (x4)     | 17 Safety Clasps ("S-clips")               |
| 2 Vertical Corner Pole (x4) | 9 Bottom Corner L Bracket (x2)  | 18 Locks                                   |
| 3 Bottom Length Pole (x4)   | 10 Bottom Corner R Bracket (x2) | 19 Hex Key                                 |
| 4 Bottom End Pole (x2)      | 11 Canopy                       | 20 Screws - Extras Included                |
| 5 Top Arch Pole (x4)        | 12 Safety Sheet                 | 21 Mattress - Sold Separately              |
| 6 Arch Connector (x2)       | 13 Canopy Hole Cover            | 22 Slats - Not Shown                       |
| 7 Straight Connector (x2)   | 14 Canopy Eyes (x4)             | 23 Velcro Straps                           |
|                             | 15 Canopy Feet (x4)             | 24 Canopy Straps<br>(Included with canopy) |
|                             | 16 Canopy Ears (x4)             |  |

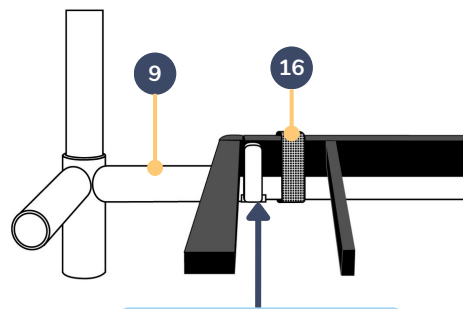
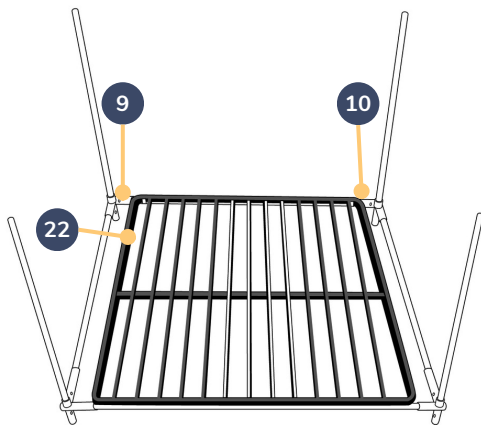
1 First, make the vertical sides of the bed in two sections. You will make these on the floor and then raise them once assembled. Slide pole #2 through connector #9 so that the connector sits above the bolt. Repeat with connector #10. The connector tabs should be on the inside of your section assembly. Insert pole #4 into #9 and #10 connectors and orient like below. Insert four screws (#20) into the #9 and #10 connectors and tighten with hex key (#19). Repeat to make two sets.



- 2 Raise your two assemblies upright from Step 1. Insert one #3 pole into one #7 straight connector, align the Velcro to be facing the same direction, and tighten the necessary screws (#20) with hex key (#19). Add another #3 pole to the other side of the connector and repeat. Insert horizontal tube you just assembled into the #9 and #10 connectors, aligning the Velcro so it's facing down. Tighten the screws (#20) on #9 and #10 connectors with the hex key (#19). Build another horizontal length of tube for the other side of the bed.

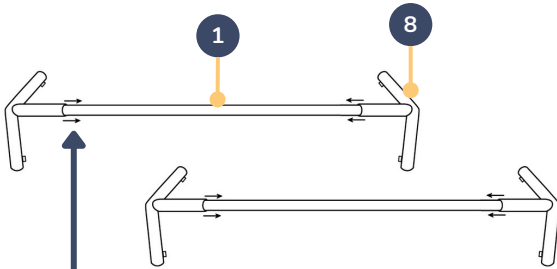


**3** Assemble the slats (#22) by following their included instructions. Do not peel off the white tape. Mount the slats onto the frame. The tabs attached to the #9 and #10 connectors should be on the inside corners of the slats set and the slats should rest fully on the length tubes. Secure the slats to the frame with the Velcro straps (#23).

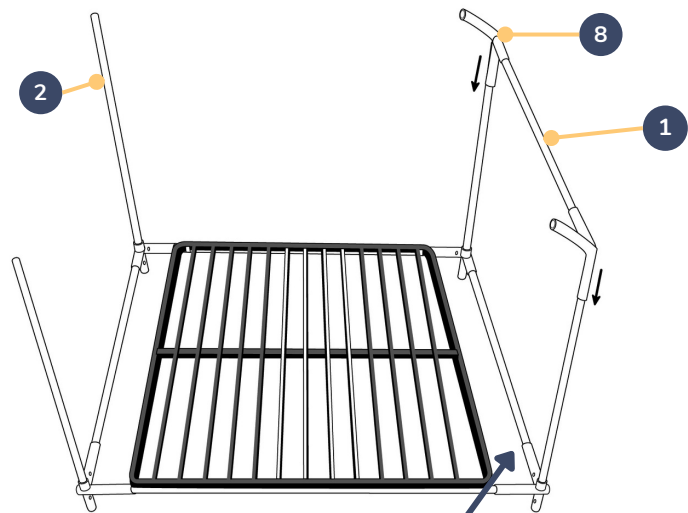


Bed slats fit around metal tab on corner connectors

**4** Build the short side of the canopy frame by inserting one #1 pole into two #8 connectors. Then repeat for the other side. Lightly tighten screws (#20) with hex key (#19). Slide one of your #1 + #8 assemblies onto the #2 vertical corner poles. Line up the connectors on both sides at the same time. This may require two people. Be careful not to pinch your fingers. Fully tighten screws (#20) with the hex key (#19).



Push Poles all the way into connectors

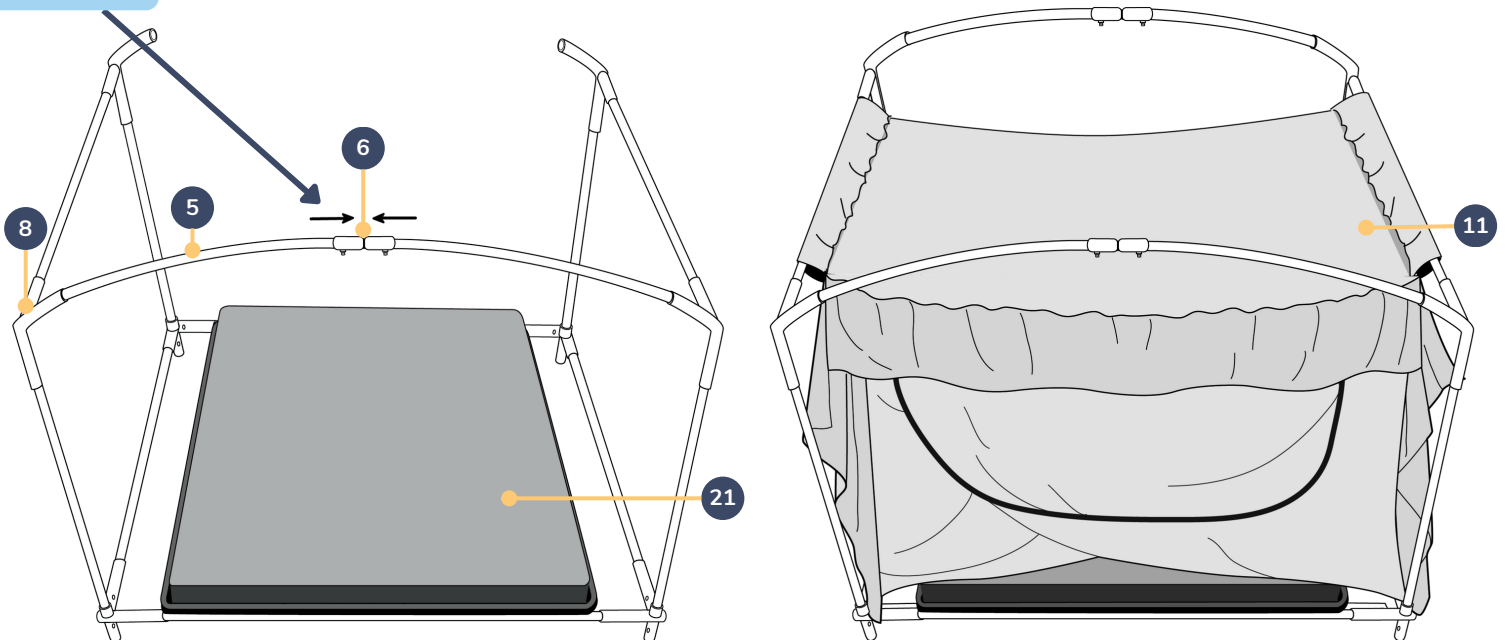


Gap between slats and short ends of bed is normal

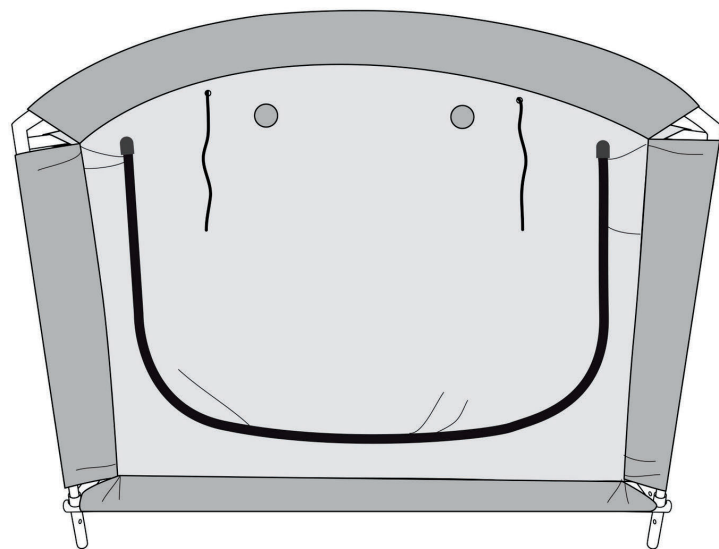
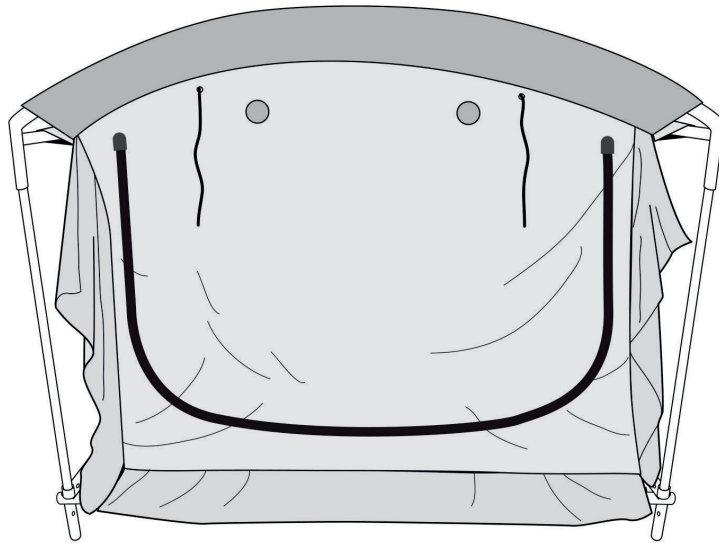
5 Now you will build the arch connectors for the long side of the canopy frame. Insert two #5 poles into the #8 corner connectors and join in the middle with the #6 connector. Tighten the screws (#20). Repeat to build the other side arch. Do a final tighten of all screws.

6 Center your mattress (not included - must be a full, 8-10" thick mattress) on the slats (#22). Orient the canopy (#11) on the frame. The Velcro skirt will be at the bottom and the "smile" zippers should be facing up. Wrap one of the top horizontal end sleeves around the pole and secure it with the buckle provided to hold the canopy weight, before zipping the sleeve over the pole. Repeat with the other side.

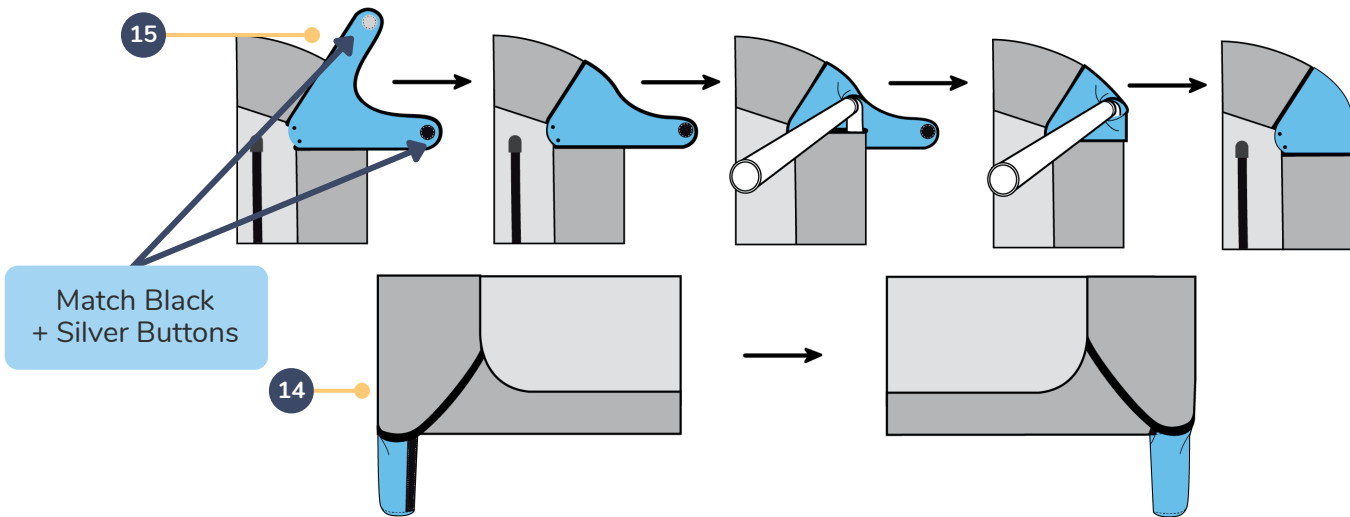
Push poles  
all the way into  
connectors



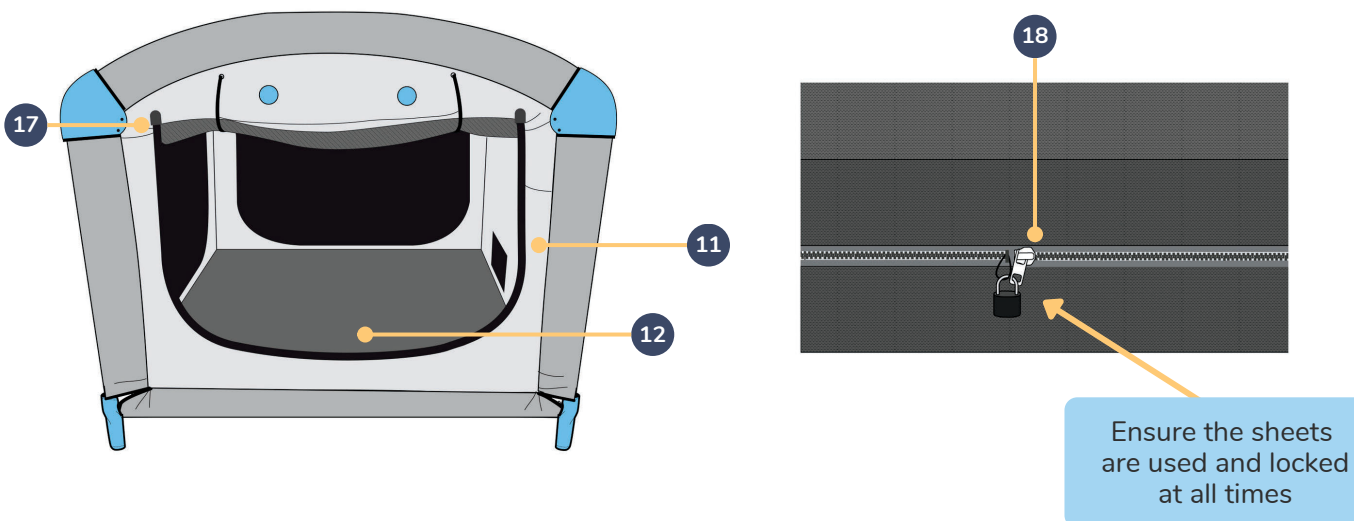
7 Again, use the buckles provided to hold the weight of the canopy on the arch poles before zipping the top sleeves across both curved poles. Zip the corner sleeves around the four vertical poles. Unzipping and stretching the doors can make this easier. Tighten the bottom straps under the slats. Secure the bottom skirt to the frame with the Velcro. If door zippers are hard to close, adjust bottom velcro to make it easier.



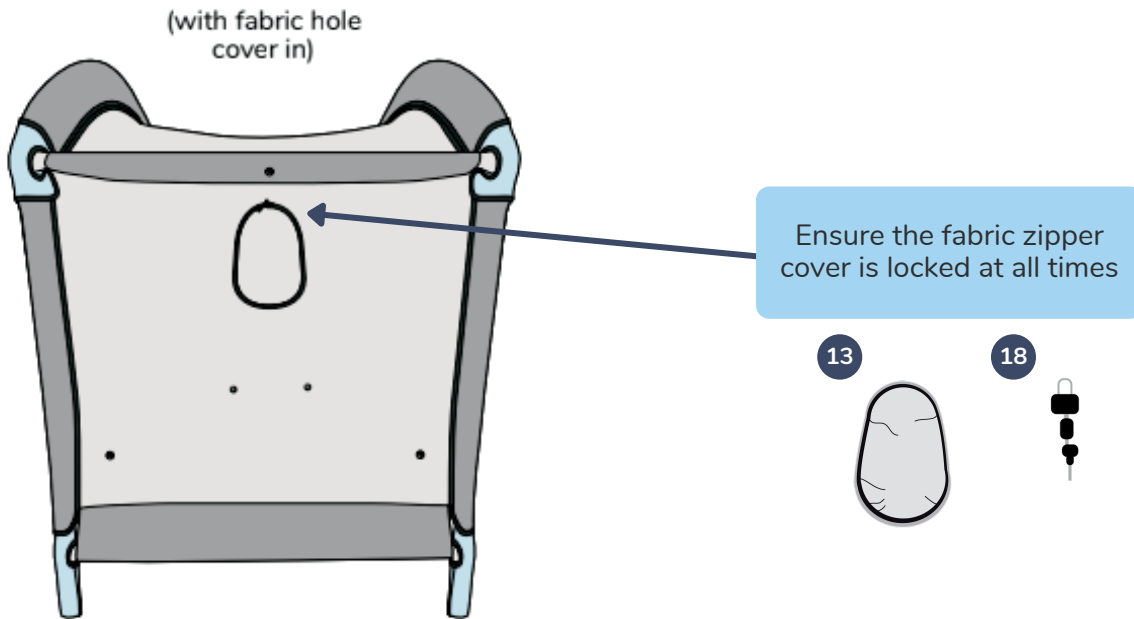
- 8 Now, you will add the blue Cubby features. Attach the four “ears” (#16) to the canopy with the color-coded snap buttons. When facing the smile door, the ear labeled 1 goes on the left and the ear labeled 2 goes on the right. Secure the back matching colored snaps. Wrap the four "feet" (#15) around the poles. Finally, stick two "eyes" (#14) on the Velcro circles on each Smile Door (see photo in Step 9).



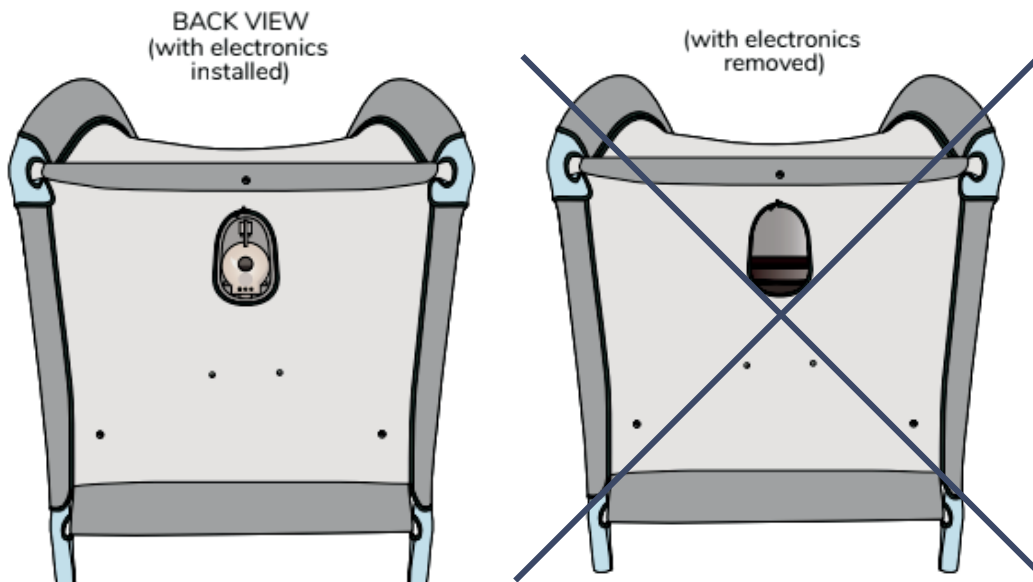
- 9 Connect the Safety Sheet (#12) to the interior zipper skirt on the canopy (#11). Secure the sheet zipper to the loop on the canopy with the lock (#18) to prevent the patient user from removing it. Do not use the product without the Safety Sheet zipped and locked in place. Do not use regular fitted sheets.



- 10 Secure the fabric zipper cover (#13) (if you do not have a technology hub installed) to the canopy using one of the included locks (#18). If you do have the Technology Hub, please refer to the separate manual for installation.



### Additional Views for Reference

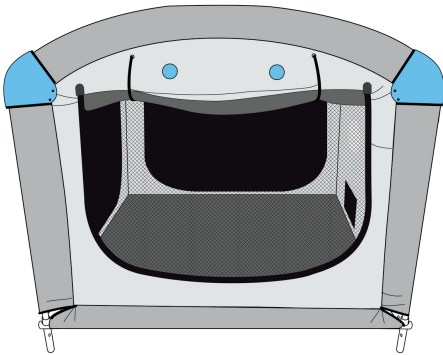


\*Electronics come with the Cubby Plus

The Cubby can NEVER be used without either the fabric or electronics installed in this area

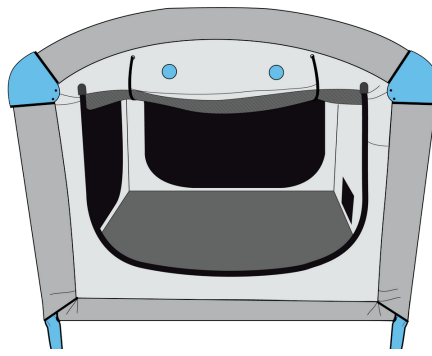


- 11** Use the canopy straps (#24) to secure either the fabric door or both the mesh + fabric doors of the Cubby when you would like them rolled up. There are 4 straps on each door - 2 that are permanent, sewn into the door seams, and 2 that are removable via snaps. Ensure that any removable straps not being used are removed from the bed for your child's safety.



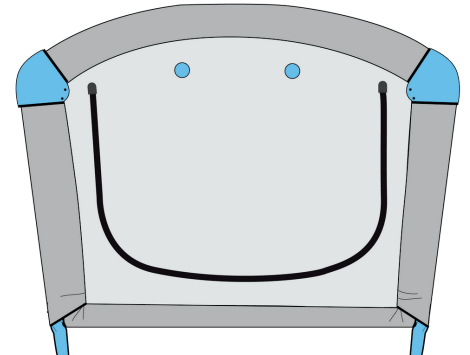
Fabric Door Open,  
Mesh Door Closed

Adhere the fabric door  
with the permanent  
straps + remove the  
snap-on straps



Fabric + Mesh  
Doors Open

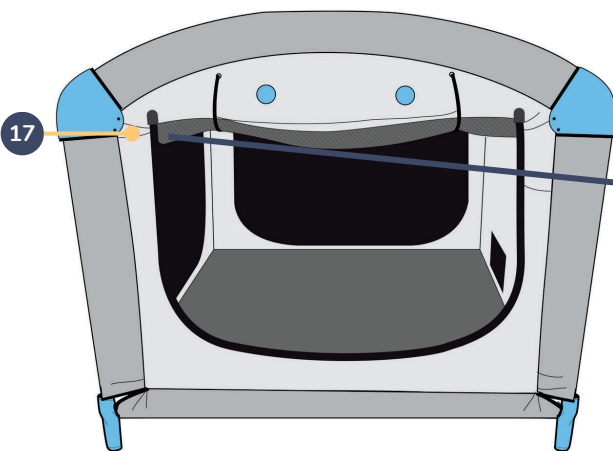
Use the snap-on straps  
to secure doors open.  
The permanent straps  
will be rolled up as well



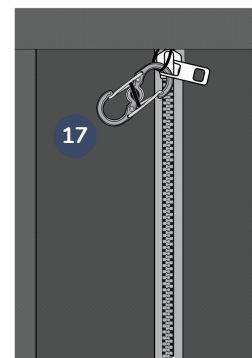
Fabric + Mesh  
Doors Closed

Remove the snap-on  
straps from the bed

- 12** When closing the Cubby, hide the interior zipper with the safety pockets so it is not accessible from the inside of the bed. Use the #17 s-clip safety clasps to secure the zipper to the door loops as shown below.



Canopy Shown Open  
(unsecured)



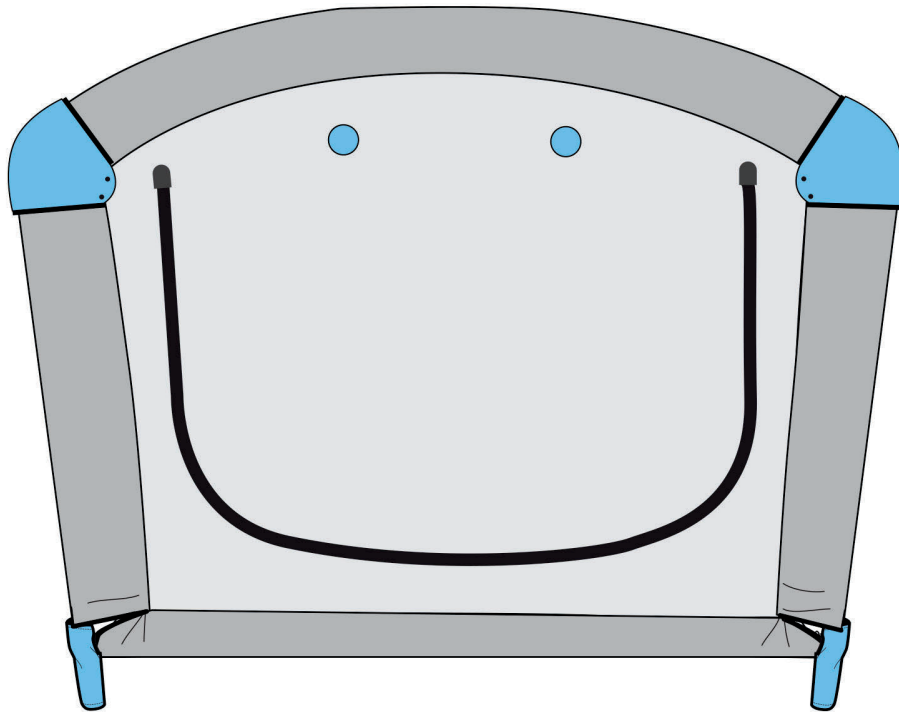
Canopy Shown  
Closed + Secured



# Better Sleep + Safer Nights Have Arrived!

---

Your Cubby Bed is now set up!



# Assembly + Care FAQs

## **1 I can't zip the canopy on the frame - it is really tight. What should I do?**

First, check that you have assembled the frame correctly. The two curved poles (#5) should be inserted into the #6 connector as far as possible. Start by attaching the sleeves to the top part of the frame, one side at a time. Lastly, unzip the canopy doors to give you more flexibility and zip the vertical side sleeves around the side poles of the frame. If the canopy is still tight, you may need to stretch the fabric a few times to loosen.

## **2 What are the locks and S-clips for?**

Great question! These are a key safety feature of the bed. The locks are provided to secure your safety sheet to the canopy, and to secure your Technology Hub (or cloth cover, if you're not using the Technology Hub) to the canopy. The S-clips are included to secure the canopy door zippers closed, to prevent user elopement.

## **3 Why don't my slats fit on the bed frame?**

Check that the corner connectors (#9 and #10 parts) are fully seated on the bed frame poles. These must be assembled correctly so the bed slats will fit around the upright metal tabs on the #9 and #10 connectors.

## **4 Why has my canopy gotten looser over time?**

This will happen over time with normal wear on the bed. Pull the bottom of the bed skirt around the bottom of the bed frame and secure with the adhesive-backed velcro on both the bed skirt and frame. You can turn the bed frame poles to better position the velcro if needed.

## **5 Can I wash my canopy? How do I protect my Cubby Bed over time?**

Yes, please see the Care + Cleaning Instructions on your Cubby Bed and in this manual. The canopy can be machine washed in cold water but cannot be machine dried. Register your Warranty for full protection at [CubbyBeds.com/pages/warranty](https://CubbyBeds.com/pages/warranty).

## **6 What happens if my Cubby rips or I notice other damage?**

Please contact us right away! Only use your Cubby Bed when it is assembled correctly and is in safe working condition.

Further questions?

Contact us at [Support@CubbyBeds.com](mailto:Support@CubbyBeds.com)



# How to Use Your Cubby Bed



## Dual-Layer Mesh + Fabric Canopy

With the ability to choose how to secure the entrances, the Cubby can be adapted for many types of users.

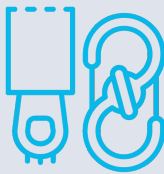
1. Full fabric enclosure
  - Simply zip both mesh and fabric entrances to create the most cocoon-like environment free from distractions.
2. Mesh enclosure
  - Simply zip the mesh entrance, roll the solid fabric door up and use the buttoned door straps to hold the roll at the top.



## Safety Sheets

The Safety Sheets zip and lock to the interior sidewalls above the mattress. The safety sheets are **REQUIRED** to guard against entrapment and burrowing.

\*Must use full-size mattress\*  
W: 54" x L: 75"(8-10" thick)



## Safety Pocket + Clasp

Each entrance has a safety pocket + clasp that hide and secure the interior zipper to prevent wandering and ensure a night of safe sleep.

The Security clasp is an S-Clip. Simply secure one end of the S-Clip to the black safety loop attached to the canopy. Secure the other end of the S-Clip to the base of the zipper pull.



## Tension Padding

The canopy is stretched tight, creating 360 degrees of padding. The tensioned walls are similar to a trampoline to provide padded protection to guard against injury.

It is recommended to check your Cubby for tight tension in the canopy. Simply re-attach velcro at bottom of bed or slightly expand the frame to increase tension.

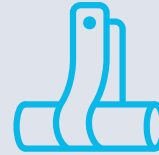


# How to Use Your Cubby Bed



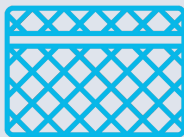
## Access Holes

There are 4 steel grommets that come standard in each corner of your Cubby Bed. Use the access holes with Doctor approved equipment such as alarms, feeding tubes or breathing machines.



## Door Straps

The door straps are used to hold up the rolled entrances of the bed during caregiving or therapy. Do not leave the door straps in the bed.



## Interior Mesh Pocket

The interior mesh pocket can be used to store your kiddos favorite things. It is detachable, if required to have nothing in the bed.



## Fabric Hole Cover

The fabric hole cover can be zipped and secured into the Cubby Bed if you don't have a Technology Hub. Make sure this insert is zipped and secured with the lock at all times to prevent removal and maintain user safety.

## How to Use the Cubby Doors

The Cubby Bed is built with dual-layer mesh and fabric doors. This enables two secured entrance options for the user.

1. The mesh door can be zipped and secured to provide a secure environment with great visibility and breathability.
2. The solid fabric door can be zipped and secured If the user requires more environmental sensory control.



# How to Use Your Warranty

We design every Cubby to be serviceable - meaning that as a system of parts, we can easily change out defective parts rather than having to replace or throw away the entire product. This Cubby Beds Limited Warranty is a commitment to our customers, an expression of our confidence in the quality of our products, and a statement that we stand behind that quality.

Cubby Beds warrants to the original retail purchaser that our Canopy Fabric will be free from defects in material and workmanship for a period of 1 year from the date of purchase. Cubby Beds warrants to the original retail purchaser that our Bed Frame, inclusive of the hardware, steel legs, steel cross bars, steel connectors, and steel slats will be free from defects in material and workmanship for a period of 1 year from the date of purchase. Cubby Beds warrants to the original retail purchaser that our electronics unit including the casing, hardware, light/speaker system, and camera will be free from defects in material and workmanship for a period of 1 year from the date of purchase.

NOTE: The Cubby Beds Limited Warranty covers repair or replacement for defective products as set forth herein within the continental United States only, and does not cover regular, non-defective returns of the bed or other products. Products that are returned in our standard return period are processed differently in accordance with the terms and conditions.

## How To Submit A Claim

You must register the warranty at the bottom of this page. Before submitting a claim, please carefully review the Terms + Conditions below. Customers must notify the Cubby Beds team in writing of any claims in regards to the canopy, frame, and electronics within 1 year from the date of purchase.

Please email [Support@CubbyBeds.com](mailto:Support@CubbyBeds.com) with the following information:

ORDER NUMBER  
FIRST + LAST NAME  
EXPLANATION OF DAMAGE/DEFECT  
PHOTOS OF DAMAGE/DEFECT

Upon receiving notification of a claim, a Cubby Beds representative will respond to your inquiry within 3 business days.

All warranty claims are subject to inspection by Cubby. We reserve the right to determine whether or not damages are covered by the Cubby Beds Limited Warranty, in our sole discretion.

**Register Your Warranty:**  
[CubbyBeds.com/pages/warranty](https://CubbyBeds.com/pages/warranty)



# 1 Year Limited Warranty

## TERMS + CONDITIONS OF THE CUBBY BEDS LIMITED WARRANTY:

**FABRIC:** The Cubby Beds Limited Warranty covers and is valid only for flaws and defects in the manufacturing or workmanship of the Canopy Fabric. This includes manufacturing defects such as broken zippers, missing or broken snaps, broken or frayed seams, and ripped fabric or mesh discovered and reported to Cubby Beds within the first three weeks after receiving the bed. The Cubby Beds Limited Warranty applies only to the Cubby Bed, and does not cover or apply to other Cubby products or to any purchases made outside of CubbyBeds.com, our authorized distributors or outside of the United States. The Cubby Beds Limited Warranty may not apply to purchases made through third-party sites.

Cubby does not cover:

- CHANGES IN SURFACE FINISHES DUE TO AGING OR EXPOSURE TO LIGHT.
- NORMAL WEAR AND TEAR (INCLUDING, BUT NOT LIMITED TO, EVERYDAY WEAR AND TEAR OF FABRIC ON CANOPY).
- DAMAGE TO THE FABRIC FROM DRYING.
- DAMAGE FROM ANY OF THE FOLLOWING:
  - SHARP OBJECTS OR IMPRINTING FROM WRITING INSTRUMENTS;
  - PROLONGED EXPOSURE TO MOISTURE OR DIRECT SUNLIGHT;
  - MODIFICATIONS, ALTERATIONS, TAMPERING, OR IMPROPER MAINTENANCE OR REPAIRS;
  - INCONTINENCE OR HYGIENE ISSUES
  - ACTS OF GOD, INCLUDING BUT NOT LIMITED TO FIRE, LIGHTNING, FLOOD, TORNADO, EARTHQUAKE, OR HURRICANE; OR
  - ANY ACTIONS OR USES PERFORMED OUTSIDE OF THOSE RECOMMENDED OR SPECIFIED ON OUR SITE, INCLUDING OUR FAQ.
- IMPORTANT: Customer is responsible for adhering to the cleaning recommendations and precautions in the FAQ.

**FRAME + ELECTRONICS UNIT:** The Cubby Beds Limited Warranty covers and is valid only for flaws and defects in the manufacturing or workmanship of the Cubby Frame + Electronics Unit. This includes parts of the frame and electronics unit that do not work as intended or break. The Cubby Beds Limited Warranty applies only to the Cubby Bed, and does not cover or apply to other Cubby products or to any purchases made outside of CubbyBeds.com, our authorized distributors, or outside of the United States. No mattress or accessory is covered by the Cubby Beds Limited Warranty, even where that mattress is included with an order shipped to the customer. No mattress is considered part of a Cubby Bed. The Cubby Beds Limited Warranty may not apply to purchases made through third-party sites.

Cubby does not cover:

- CHANGES IN SURFACE FINISHES DUE TO AGING OR EXPOSURE TO LIGHT.
- NATURAL VARIATIONS OF METAL OR FIGURE OR THE PRESENCE OF CHARACTER MARKS.
- NATURAL VARIATIONS OF POWDER COATING
- SMALL SCRATCHES OR DINGS CAUSED BY SHIPPING OR ASSEMBLY
- NORMAL WEAR AND TEAR (INCLUDING, BUT NOT LIMITED TO, EVERYDAY WEAR AND TEAR OF BED FRAME).
- DAMAGE FROM ANY OF THE FOLLOWING:
  - SHARP OBJECTS;
  - PROLONGED EXPOSURE TO MOISTURE OR DIRECT SUNLIGHT;
  - MODIFICATIONS, ALTERATIONS, TAMPERING, OR IMPROPER MAINTENANCE OR REPAIRS;
  - ACTS OF GOD, INCLUDING BUT NOT LIMITED TO FIRE, LIGHTNING, FLOOD, TORNADO, EARTHQUAKE, OR HURRICANE; OR
  - ANY ACTIONS OR USES PERFORMED OUTSIDE OF THOSE RECOMMENDED OR SPECIFIED ON OUR SITE, INCLUDING OUR FAQ.

**MISSING ITEMS:** The Cubby Beds Limited Warranty covers and is valid only for missing parts, such as connectors, which will be replaced for free if they did not come with the shipped product. If a customer loses a part or item, Cubby Beds will replace that part for free up to three times if the cost of that part or item is \$20.00 or less. If the cost of that part or item is above \$20.00, Cubby Beds will charge the customer for replacement of that item. The Cubby Beds Limited Warranty applies only to the Cubby Bed, and does not cover or apply to other Cubby products or to any purchases made outside of CubbyBeds.com, our authorized distributors or outside of the United States. The Cubby Beds Limited Warranty may not apply to purchases made through third-party sites.

**Register Your Warranty:**  
[CubbyBeds.com/pages/warranty](https://CubbyBeds.com/pages/warranty)



# 1 Year Limited Warranty

Cubby does not cover:

- CHANGES IN SURFACE FINISHES DUE TO AGING OR EXPOSURE TO LIGHT.
- NORMAL WEAR AND TEAR (INCLUDING, BUT NOT LIMITED TO, EVERYDAY WEAR AND TEAR OF FABRIC).
- DAMAGE TO THE FABRIC FROM DRYING.
- DAMAGE FROM ANY OF THE FOLLOWING:
  - SHARP OBJECTS OR IMPRINTING FROM WRITING INSTRUMENTS;
  - PROLONGED EXPOSURE TO MOISTURE OR DIRECT SUNLIGHT;
  - MODIFICATIONS, ALTERATIONS, TAMPERING, OR IMPROPER MAINTENANCE OR REPAIRS;
  - INCONTINENCE OR HYGIENE ISSUES
  - ACTS OF GOD, INCLUDING BUT NOT LIMITED TO FIRE, LIGHTNING, FLOOD, TORNADO, EARTHQUAKE, OR HURRICANE; OR
  - ANY ACTIONS OR USES PERFORMED OUTSIDE OF THOSE RECOMMENDED OR SPECIFIED ON OUR SITE, INCLUDING OUR FAQ.
- IMPORTANT: Customer is responsible for adhering to the cleaning recommendations and precautions in the FAQ.

## CANOPY REPAIR POLICY

Cubby Beds offers one free all-inclusive canopy repair during the first two years of the first owner's ownership of the bed. If such a canopy needs to be repaired, the customer may reach out, explain the issue, and Cubby Beds will send the customer a loaner canopy to use while Cubby's production hub repairs the original canopy. Once the customer receives the original canopy back, the customer must return the loaner canopy. Cubby will cover the costs and shipping for this return process. Cubby's production hub will repair anything it sees damaged on the canopy. Cubby will take a credit card deposit in the amount of \$1.00 on the loaner canopy that Cubby loans to the customer while the customer's canopy is being repaired. If the customer does not return the loaner to Cubby, Cubby will charge the customer's credit card for the full cost of a Cubby canopy (\$3,500.00).

Cubby does not cover:

- CHANGES IN SURFACE FINISHES DUE TO AGING OR EXPOSURE TO LIGHT.
- NORMAL WEAR AND TEAR (INCLUDING, BUT NOT LIMITED TO, EVERYDAY WEAR AND TEAR OF FABRIC ON CANOPY).
- DAMAGE TO THE FABRIC FROM DRYING.
- DAMAGE FROM ANY OF THE FOLLOWING:
  - SHARP OBJECTS OR IMPRINTING FROM WRITING INSTRUMENTS;
  - PROLONGED EXPOSURE TO MOISTURE OR DIRECT SUNLIGHT;
  - MODIFICATIONS, ALTERATIONS, TAMPERING, OR IMPROPER MAINTENANCE OR REPAIRS;
  - INCONTINENCE OR HYGIENE ISSUES
  - ACTS OF GOD, INCLUDING BUT NOT LIMITED TO FIRE, LIGHTNING, FLOOD, TORNADO, EARTHQUAKE, OR HURRICANE; OR
  - ANY ACTIONS OR USES PERFORMED OUTSIDE OF THOSE RECOMMENDED OR SPECIFIED ON OUR SITE, INCLUDING OUR FAQ.
- IMPORTANT: Customer is responsible for adhering to the cleaning recommendations and precautions in the FAQ

## ELIGIBILITY

To be eligible for the Cubby Beds Limited Warranty:

- YOU MUST BE THE ORIGINAL PURCHASER AND HAVE A VALID PROOF OF PURCHASE. THE CUBBY BED LIMITED WARRANTY IS NOT TRANSFERABLE TO SUBSEQUENT PURCHASERS.
- YOU MUST HAVE PURCHASED THE CUBBY BED DIRECTLY FROM CUBBYBEDS.COM OR ONE OF OUR AUTHORIZED DISTRIBUTORS AND BE LOCATED IN THE CONTINENTAL UNITED STATES.
- WE MUST RECEIVE YOUR WRITTEN WARRANTY REQUEST FOR THE FABRIC AS SET FORTH ABOVE WITHIN 1 YEAR FROM THE DATE OF PURCHASE.
- WE MUST RECEIVE YOUR WRITTEN WARRANTY REQUEST FOR THE FRAME & ELECTRONICS AS SET FORTH ABOVE WITHIN 1 YEAR FROM THE DATE OF PURCHASE.

**Register Your Warranty:**  
[CubbyBeds.com/pages/warranty](https://CubbyBeds.com/pages/warranty)





# 1 Year Limited Warranty

- THE CUBBY BED MUST HAVE BEEN INSTALLED AND USED ONLY IN ACCORDANCE WITH THE SPECIFICATIONS PROVIDED WITH THE BED OR ON OUR WEBSITE (INCLUDING THOSE RECOMMENDATIONS AND GUIDELINES SPECIFIED ON THE FAQ PAGE).
- THE CUBBY BED MUST HAVE BEEN USED ONLY UNDER TYPICAL CONDITIONS AND MUST NEVER HAVE BEEN SUBJECTED TO ABUSE, ACCIDENTAL DAMAGE, OR OTHER ABNORMAL USAGE, INCLUDING BUT NOT LIMITED TO CUTS, TEARS, BURNS, STAINS, SOILING, LIQUID DAMAGE, OR IMPROPER INSTALLATION.
- LIMITED REMEDY: Cubby Beds sole obligation under the Cubby Beds Limited Warranty is to, at our sole option, repair or replace the defective part(s) at no additional charge, if we determine in our sole discretion that the defect is covered by the Cubby Beds Limited Warranty. If within the warranty period, identical materials are unavailable at the time of repair or replacement, Cubby reserves the right to substitute materials of equal or better quality. Replacement fabrics may vary in color from the original due to dye lot variations.
- The repaired or replacement Cubby parts shall continue to be covered under the original Cubby Beds Limited Warranty for the rest of the original term, but under no circumstances will the Cubby Beds Limited Warranty be extended beyond 1 year from the date of purchase of the original fabric canopy, original frame, and original electronics.

## DISCLAIMER OF WARRANTIES

- THE REMEDIES PROVIDED IN THIS CUBBY BEDS LIMITED WARRANTY CONSTITUTE THE PURCHASER'S SOLE AND EXCLUSIVE REMEDIES, AND CUBBY'S SOLE AND EXCLUSIVE OBLIGATION, WITH RESPECT TO DEFECTS IN THE PURCHASED BED PRODUCTS OR THE MANUFACTURING THEREOF. THIS CUBBY BEDS LIMITED WARRANTY IS THE EXCLUSIVE WARRANTY GIVEN BY CUBBY AND CUBBY EXPRESSLY DISCLAIMS, AND THE PURCHASER EXPRESSLY WAIVES, ALL OTHER REPRESENTATIONS AND WARRANTIES, WHETHER EXPRESS OR IMPLIED, INCLUDING WITHOUT LIMITATION IMPLIED WARRANTIES OF MERCHANTABILITY OR FITNESS FOR A PARTICULAR PURPOSE, EXCEPT TO THE EXTENT PROHIBITED BY LAW. IN SUCH EVENT, SUCH WARRANTY IS LIMITED TO THE DURATION OF THE WARRANTY PERIOD SET FORTH ABOVE. THIS EXCLUSION APPLIES EVEN IF THIS WARRANTY FAILS OF ITS ESSENTIAL PURPOSES AND REGARDLESS OF WHETHER DAMAGES ARE SOUGHT FOR BREACH OF WARRANTY, BREACH OF CONTRACT, NEGLIGENCE, OR STRICT LIABILITY IN TORT OR UNDER ANY OTHER LEGAL THEORY.
- **LIMITATION OF DAMAGES AND LIABILITY**
  - IN ADDITION TO THE ABOVE WARRANTY DISCLAIMERS, EXCEPT TO THE EXTENT PROHIBITED BY LAW, IN NO EVENT WILL CUBBY BE LIABLE FOR ANY CONSEQUENTIAL, INCIDENTAL, EXEMPLARY, OR SPECIAL DAMAGES ARISING FROM OR RELATING TO THIS CUBBY BED LIMITED WARRANTY OR THE CUBBY BED, AND CUBBY BEDS TOTAL CUMULATIVE LIABILITY ARISING FROM OR RELATED TO THIS CUBBY BED LIMITED WARRANTY OR THE CUBBY BED WILL NOT EXCEED THE AMOUNT ACTUALLY PAID FOR THE CUBBY BED BY THE ORIGINAL PURCHASER. YOUR USE OF THE CUBBY BED IS AT YOUR OWN DISCRETION AND RISK. YOU WILL BE SOLELY RESPONSIBLE FOR (AND CUBBY DISCLAIMS) ANY AND ALL LOSS, LIABILITY, OR DAMAGES, RESULTING FROM YOUR USE OF THE CUBBY BED.

## YOUR RIGHTS AND THE CUBBY BEDS LIMITED WARRANTY

This Cubby Beds Limited Warranty gives you specific legal rights. Some states do not allow limitations on how long an implied warranty lasts, so the above limitations may not apply to you. Some states do not allow the exclusion or limitation of incidental or consequential damages, so the above limitation or exclusion may not apply to you. You may also have other legal rights that vary by state, province, or jurisdiction. The terms of this Cubby Beds Limited Warranty will apply to the extent permitted by applicable law. For a full description of your legal rights, you should refer to the laws applicable in your jurisdiction and you may wish to contact a relevant consumer advisory service.

**Register Your Warranty:**  
[CubbyBeds.com/pages/warranty](https://CubbyBeds.com/pages/warranty)



# Maintenance Checklist

**A monthly inspection of your Cubby is required.  
Use this checklist to inspect all components.**

- 1 All interior + exterior seams of the canopy are intact (no fraying, snags, tears)
- 2 Inspect both interior + exterior of canopy fabric, on all 6 sides, (includes ceiling + under mattress) to ensure there is no fraying, rips or tears. If your Cubby has straps underneath the mattress, ensure straps are not loose.
- 3 Each zipper on the canopy is functional and seams of zippers are intact
- 4 Mesh fabric is free from tears or snags and is not stretched out
- 5 Metal snaps + port holes on canopy are undamaged + free from frays/tears
- 6 Cubby frame is not loose or wobbly (conduct a shake test and listen for rattling) and frame is stable with all four legs positioned flatly on the floor
- 7 Safety sheet fabric, cord loop and zippers have no tears, rips or snags and lock is secured

**Discontinue use and contact us immediately if  
anything is damaged or missing.**



# How to Care for Your Cubby

## Canopy Care

 Assembled In America

 Solution Dyed Acrylic Fabric & Polyester Mesh



Hand Wash  
First



Delicate  
Machine Wash



Do Not  
Dry Clean



Do Not  
Iron



Hang  
To Dry

## Safety Sheet Care



Hand Wash In  
Cold Water



Use Cold Water  
& Mild Detergent



Delicate Machine  
Wash, If Needed



Do Not  
Dry Clean



Do Not  
Iron



Hang  
To Dry

## Canopy Care: Machine Wash

- We recommend that you try to spot clean first but you can machine wash for larger accidents. To machine wash, first close all zippers.
- Machine wash in cold water on the delicate cycle with mild detergent and 303 guard for stain repellency.
- Hang to dry. Do not machine dry or wash in warm water. It may shrink and will void the warranty.
- Do not steam.
- Iron on synthetic setting only.
- Do not machine dry.

## Canopy Care: Spot Cleaning

- Blot the liquid with a clean, dry cloth.
- Apply a light mist of mild soap and water.
- Work the solution into the stain by lightly agitating the entire surface area of the fabric, moving from seam to seam, with a sponge or very soft bristle brush. Avoid scrubbing, and do not use a hard-bristled brush or anything that will damage the fabric.
- Rinse the entire fabric to remove all soap.
- Blot excess moisture with a clean, soft towel.
- Blot or wet-vacuum excess water from the entire area of the fabric, moving from seam to seam.
- Repeat rinsing and blotting until all soap residue is removed.
- Air dry only.



cubby



# Share Your Experience

THANKS FOR BEING A PART OF THE CUBBY FAMILY.  
WE'D LOVE FOR YOU TO JOIN US ON SOCIAL AND  
SHARE YOUR STORY WITH THE CUBBY COMMUNITY :)

---

Show Us Your Bed · Your First Night · Your Favorite Features  
How Cubby Has Helped · Happy Play Moments · A Video Review

---



@CubbyBeds  
#MyCubby

Support@CubbyBeds.com | 855.964.2664  
CubbyBeds.com

