

START HERE!

READ ME FIRST

Don't be a hero and muscle through this installation without reading these fitting instructions first! Improper installation of this gear may void certain aspects of your warranty.

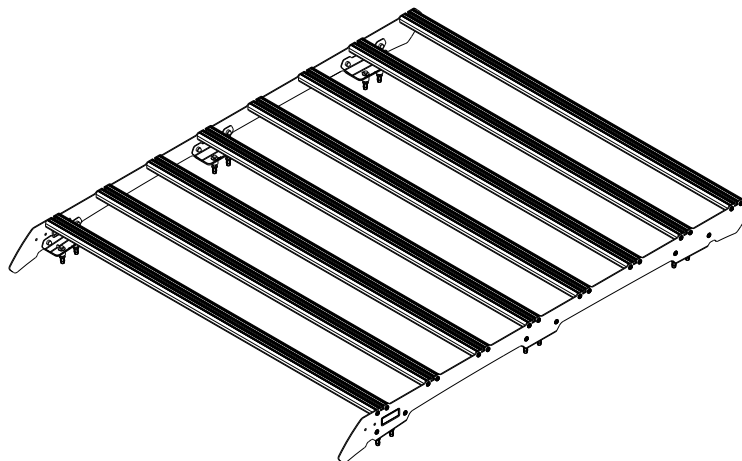
Before you begin, take a moment and open all your Front Runner rack kit boxes and gather the assembly instructions for the various components.

A complete kit will contain:

1. A Front Runner Mounting System specific to your vehicle
2. A Front Runner Rack Tray or Load Bar Slats

This document will guide you through the assembly of the mounting system and assist you in fitting the roof rack tray or load bars to your specific vehicle.

Please refer to the next page for a list of all the components, quantities and tools required.



IMPORTANT WARNING!

IT IS CRITICAL THAT ALL FRONT RUNNER PRODUCTS BE PROPERLY AND SECURELY ASSEMBLED AND ATTACHED TO YOUR VEHICLE. IMPROPER ATTACHMENT COULD RESULT IN AN AUTOMOBILE ACCIDENT, AND COULD CAUSE SERIOUS BODILY INJURY OR DEATH. YOU ARE RESPONSIBLE FOR ASSEMBLING AND SECURING ALL FRONT RUNNER PRODUCTS TO YOUR VEHICLE, CHECKING THE ATTACHMENTS PRIOR TO USE, AND PERIODICALLY INSPECTING THE PRODUCTS FOR ADJUSTMENT, WEAR AND DAMAGE. THEREFORE, YOU MUST READ AND UNDERSTAND ALL OF THE INSTRUCTIONS AND PRECAUTIONS SUPPLIED WITH YOUR FRONT RUNNER PRODUCT PRIOR TO INSTALLATION OR USE. IF YOU DO NOT UNDERSTAND ALL OF THE INSTRUCTIONS AND CAUTIONS, OR IF YOU HAVE NO MECHANICAL EXPERIENCE AND ARE NOT THOROUGHLY FAMILIAR WITH THE INSTALLATION PROCEDURES, YOU SHOULD HAVE THE PRODUCT INSTALLED BY A PROFESSIONAL INSTALLER OR OTHER QUALIFIED PERSONNEL.

NOTE: Front Runner will not be responsible for any damage caused by the failure to install the product according to these instructions.

Please call us if you have any questions about the installation of this product.

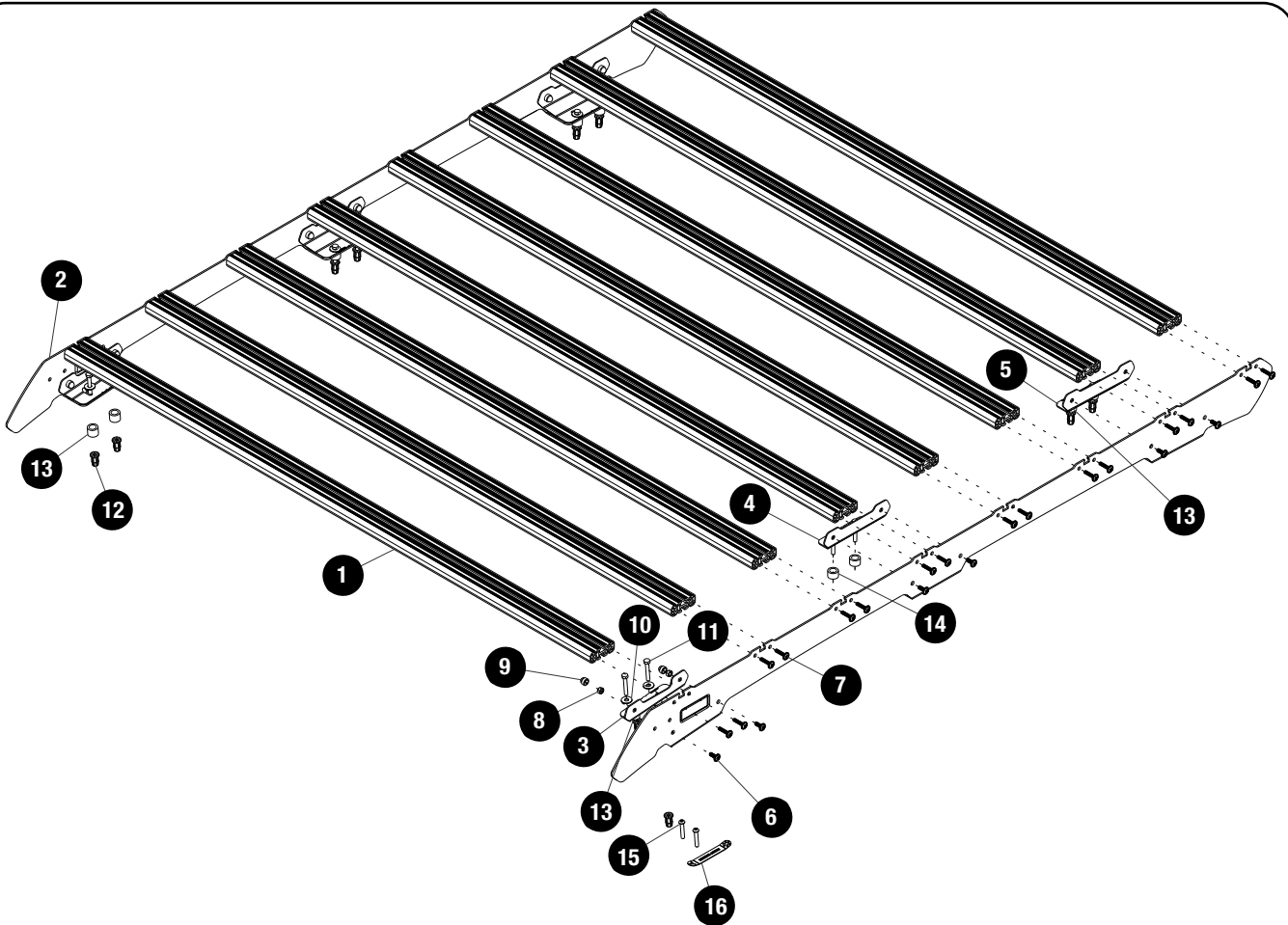
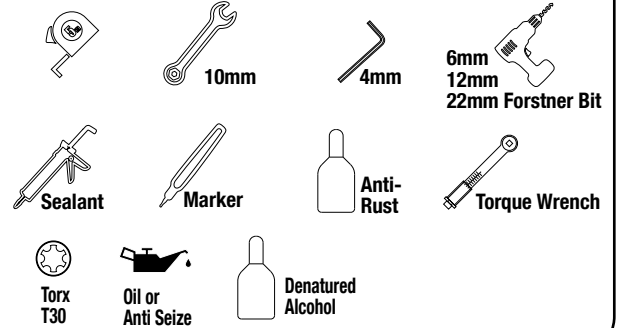


1 GET ORGANIZED

IN THE BOX

1	8 X	Slim Sport Slats
2	2 X	Footrail 1 LH / 1 RH
3	2 X	Front Foot Support 1 LH / 1 RH
4	2 X	Center Foot Support 1 LH / 1 RH
5	2 X	Rear Foot Support 1 LH / 1 RH
6	12 X	M6 x 16 Button Head Flange
7	32 X	M6 x 25 Thread Forming Screws
8	12 X	M6 Nyloc Nuts
9	24 X	M6 Plastic Nut Cap
10	12 X	M6 x 19 x 1 Flat Washer
11	12 X	M6 x 40 Hex Head Bolt
12	13 X	Long Jack Nuts
13	8 X	19 x 12.5 x 15 Spacer
14	4 X	19 x 12.5 x 12 Spacer
15	2 X	M6 x 35 Button Head Screw
16	1 X	Jack Nut Tool

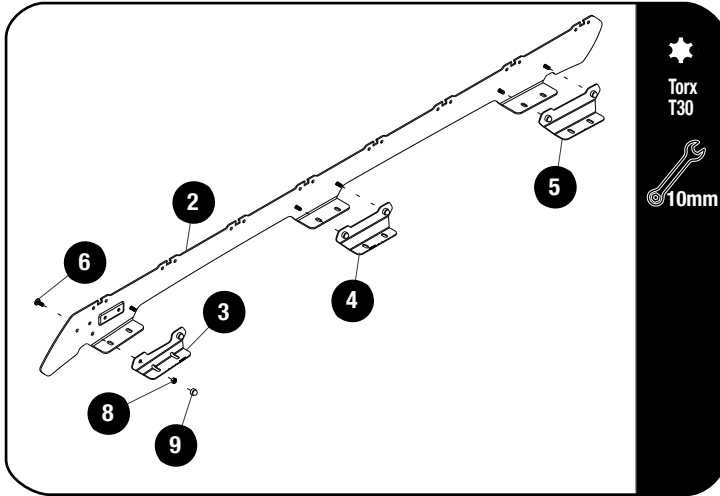
TOOLS NEEDED



2

FIT AND SECURE

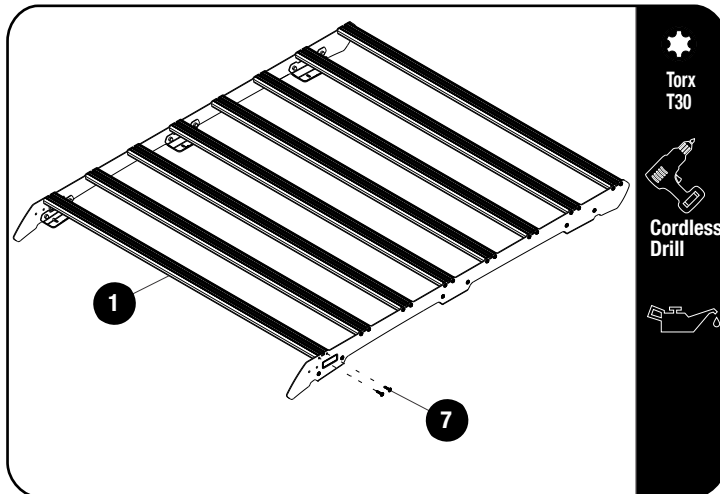
2.1



Secure the stiffener plates (Items 3, 4 & 5) to the Foot Rails (Item 2), using M6 x 16 Flange Button Head Screws & M6 Nyloc Nuts (Items 6 & 8). Fully tighten. Do this with both the LH & RH Foot Rails. Place M6 Nut Caps (Item 9) over all Nyloc Nuts.

Tightening Torque 9 - 11 Nm / 6.6 - 8.1 ft lb

2.2

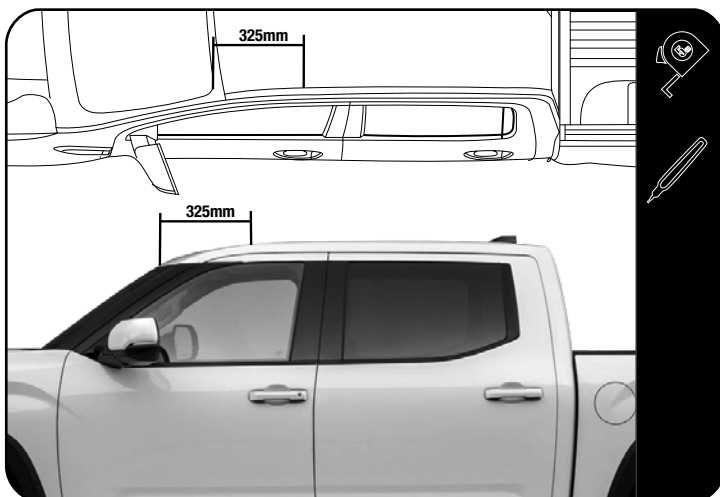


Use a little anti seize or oil on screw threads before inserting. Note these are Thread Forming Screws.

Assemble seven Slim Sport Slats (Item 1) to assembly 2.3 using M6 x 25 Thread Forming Screws (Item 7).

Tightening Torque 8-10Nm / 5.9 ft lb - 7.38 ft lb. Take care when using a cordless driver.

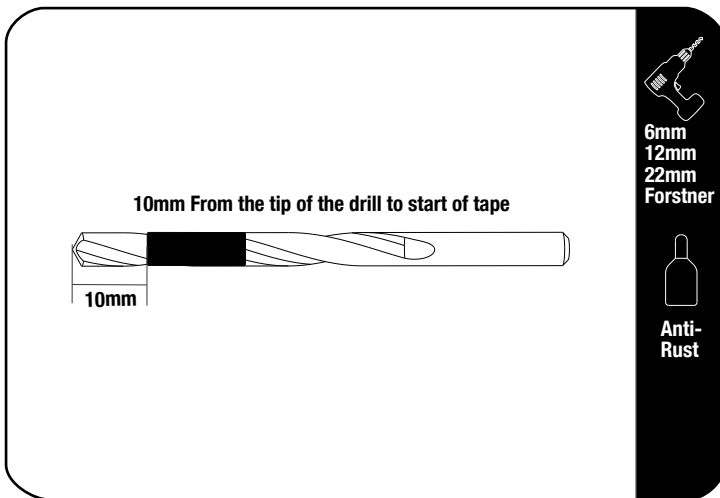
2.3



Measure 325mm backward from the top edge of the windshield and make a mark, do this on both the LH / RH ditch.

Ask a friend to help place the assembled sports rack on the roof positioning the first hole in the foot rail with the center mark made earlier on the ditch and mark the 5 remaining holes per footrail.

2.4

**TIP:**

Place tape around the drill to mark a depth of 10mm, take care as there are airbags and canisters below.



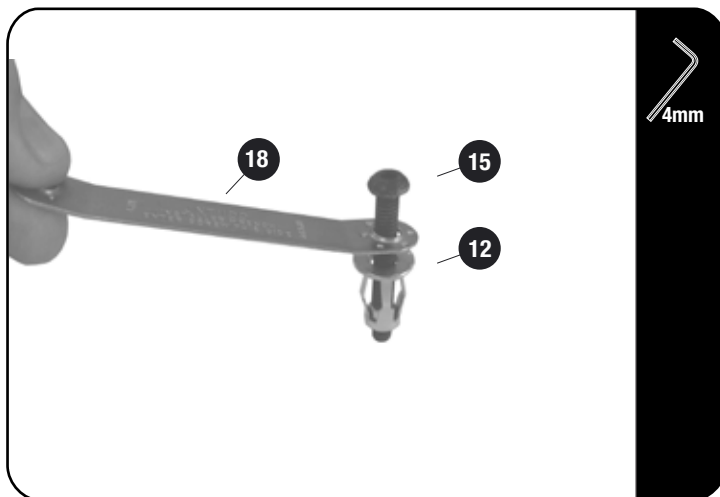
Remove the assembled sports rack and drill the holes you marked, starting with a 22mm Forstner bit to drill a pilot hole and remove the mastic for the tube spacer, then drill a 6mm pilot hole before opening to a 12mm hole. There is no need for a lot of downward pressure. Let the drill do the work.



TAKE CARE NOT TO DRILL TO DEEP AS THE CURTAIN AIRBAG IS BELOW, USING A DRILL STOP IS ADVISED.

Clean the area around the holes drilled using a rag and denatured alcohol. Apply anti-rust around all the holes.

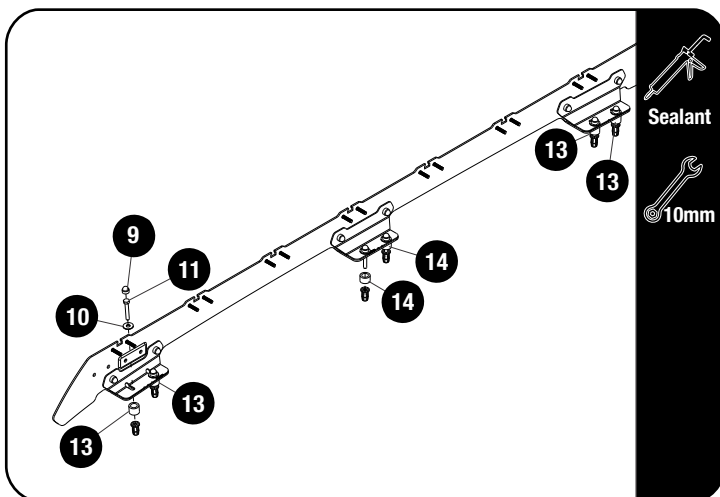
2.5



Insert a M6 x 30 Button Head Bolt (Item 15) into the Jack Nut Tool (Item 18) and loosely fit a Jack Nut (Item 12) to the button head bolt as shown.

Using a cordless driver and a 4mm allen cordless bit, set the jack nut into the holes from step 2.2 while holding the Jack Nut Tool, to prevent the Jack Nut from turning.

2.6



Place the tube spacers (Item 13 & 14) into the mastic of all holes drilled, 2 x 15mm spacers in the front holes 2 x 12mm spacers in the middle holes and 2 x 15mm spacers in the rear holes. Fill the tube spacers with silicone sealant.

Place the sport rack on the roof over the holes / spacers.

Loosely assemble the sport rack to the roof using M6 x 40 Hex Bolts and M6 x 19 x 1 Flat Washers (Items 10 & 11).

Check if the rack is centered and fully tighten all fasteners.

Place M6 Nut Caps (Item 9) over all hex bolts to finish off the nuts.

4

COMPLETION

4.1

Congratulations! You did it. Take a step back and admire your work!



5



INSTALL OTHER VEHICLE AND RACK ACCESSORIES

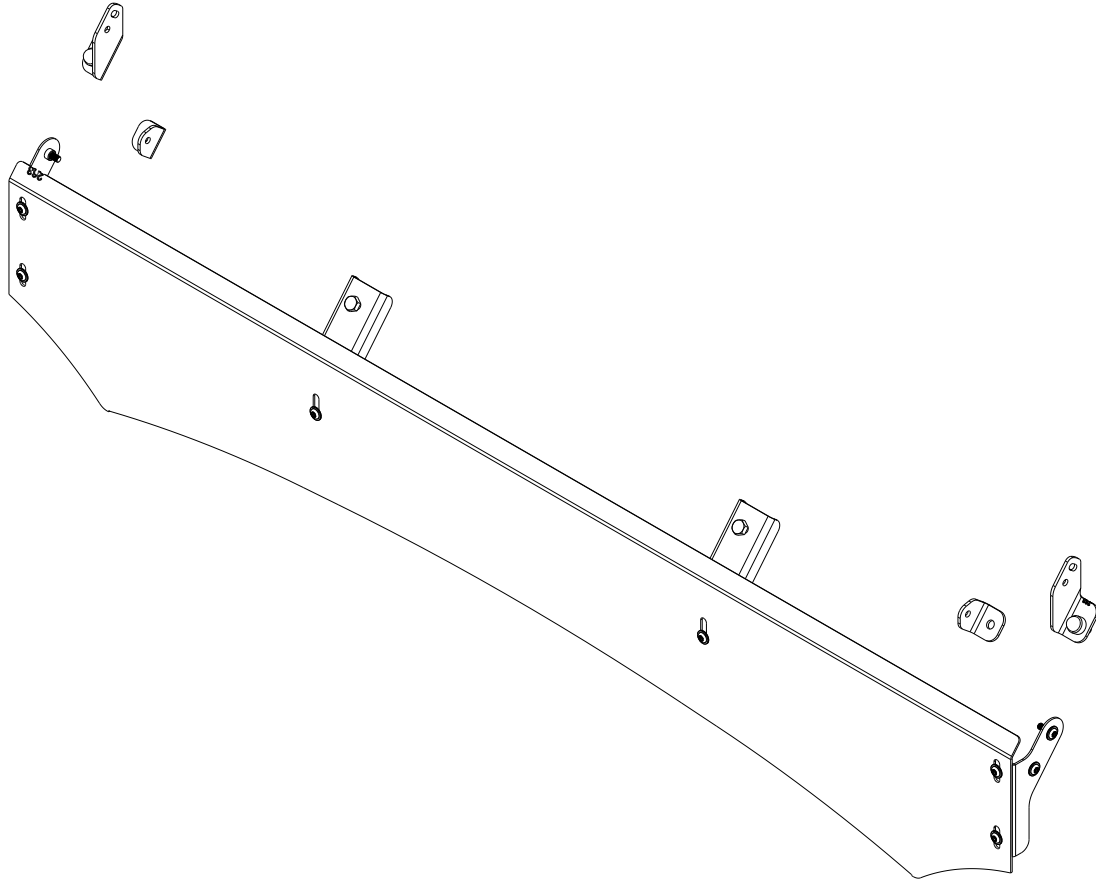
Now's the time to visit your favorite Front Runner dealer in person or online.

IMPORTANT!

FRONT RUNNER RACK KITS OFTEN HAVE A HIGHER LOAD RATING THAN THE VEHICLES THEY ARE MOUNTED TO. PLEASE REFER TO YOUR SPECIFIC VEHICLE MANUFACTURER FOR A RECOMMENDED ROOF RATING. FRONT RUNNER CANNOT BE RESPONSIBLE FOR IMPROPER LOADING BEYOND THE VEHICLE MANUFACTURER'S STATED LOAD CAPACITY.

Be sure to tag us. We love to see our gear in action! #FrontRunnerOutfitters #BornToRoam

Share your adventures on:    



READ ME !

Thank you for purchasing a Front Runner Toyota Tundra Crew Cab (2022-Current) Slimsport Rack Wind Fairing. Before you start, take a moment to familiarize yourself with the Fitting Instructions and the included components. Refer to Page 2 for a list of all the components, quantities and tools required.

IMPORTANT WARNING!

IT IS CRITICAL THAT ALL FRONT RUNNER PRODUCTS BE PROPERLY AND SECURELY ASSEMBLED AND ATTACHED TO YOUR VEHICLE. IMPROPER ATTACHMENT COULD RESULT IN AN AUTOMOBILE ACCIDENT, AND COULD CAUSE SERIOUS BODILY INJURY OR DEATH. YOU ARE RESPONSIBLE FOR ASSEMBLING AND SECURING ALL FRONT RUNNER PRODUCTS TO YOUR VEHICLE, CHECKING THE ATTACHMENTS PRIOR TO USE, AND PERIODICALLY INSPECTING THE PRODUCTS FOR ADJUSTMENT, WEAR AND DAMAGE. THEREFORE, YOU MUST READ AND UNDERSTAND ALL OF THE INSTRUCTIONS AND PRECAUTIONS SUPPLIED WITH YOUR FRONT RUNNER PRODUCT PRIOR TO INSTALLATION OR USE. IF YOU DO NOT UNDERSTAND ALL OF THE INSTRUCTIONS AND CAUTIONS, OR IF YOU HAVE NO MECHANICAL EXPERIENCE AND ARE NOT THOROUGHLY FAMILIAR WITH THE INSTALLATION PROCEDURES, YOU SHOULD HAVE THE PRODUCT INSTALLED BY A PROFESSIONAL INSTALLER OR OTHER QUALIFIED PERSONNEL.

NOTE: Front Runner will not be responsible for any damage caused by the failure to install the product according to these instructions. Please call us if you have any questions about the installation of this product.



1 GET ORGANIZED

IN THE BOX

1	2 X	Wind Firing Mounting Bracket (1LH + 1RH)
2	1 X	Wind Fairing
3	10 X	M6 x 16 Button Head Flange Bolt
4	2 X	Center Support Bracket
5	2 X	M8 x 20 Hex Bolt
6	4 X	M8 Nyloc Nut
7	2 X	High Profile Light bar bracket (1LH + 1RH)
8	2 X	Low Profile light bar bracket (1LH + 1RH)
9	2 X	M8 x 16 Hex Head Bolt
10	2 X	M8 Nut Cap
11	1 X	Wind Faring Rubber (1050mm Long)

TOOLS NEEDED



Cordless Driver



13mm

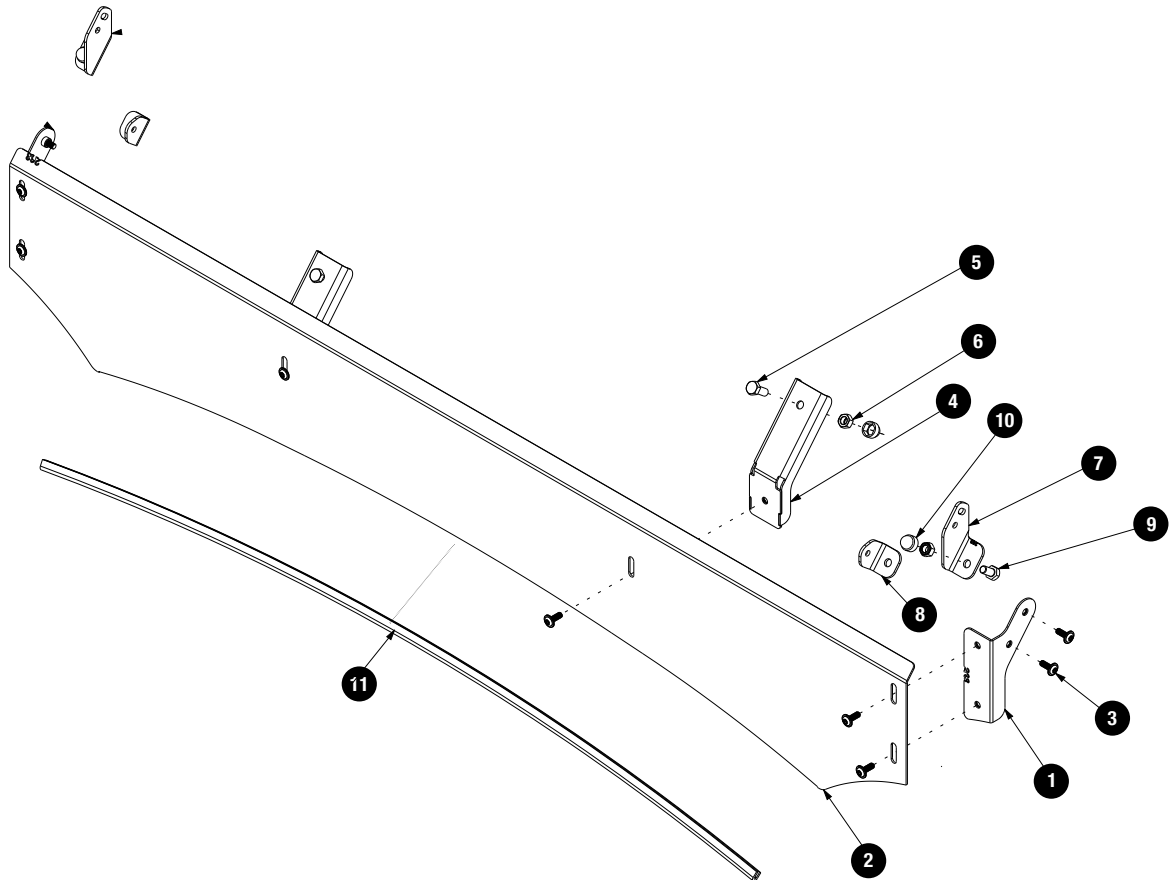


13mm



Torx T30

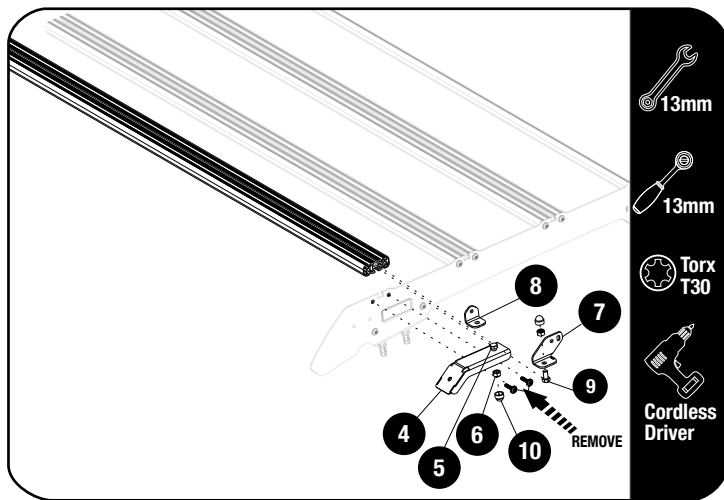
FIGURE 1.1



2

FIT AND SECURE

2.1



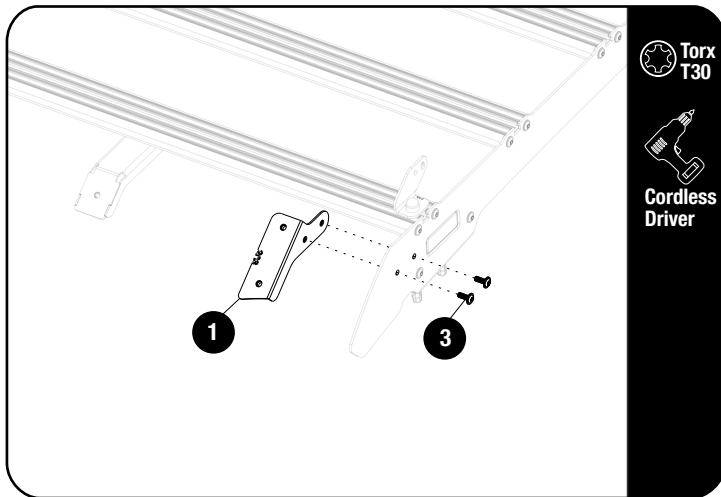
Start by removing the 2 x M6 x 25 Thread forming screws from the front slat as Indicated in 2.1.

Slide the 2 M8 x 20 Hex bolt (Item 5) into the bottom of the T-slot in the slat together with the 2 center support brackets (Item 4) and the M8 Nyloc Nut (Item 6). Slide the Brackets to center of the Roof Rack. DO NOT TIGHTEN.

Fit the Light Bar Bracket 01 LH / RH (Item 7) for the 40" Light Bar, using M8 x 16 Hex Bolt & M8 Nyloc Nut (Items 6 & 9). Fit the light bar and center it on the slat before fully tightening the brackets.

Refit the Slat that was removed.

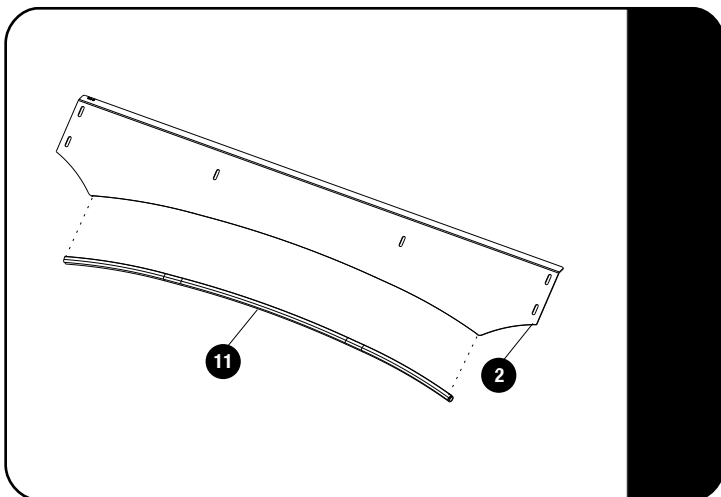
2.2



Fit the Side mounting brackets (LH / RH) (Item1) using M6 x 16 Button Head Flange Bolt (Item 3) and fully tighten.

Tightening Torque 8-10Nm / 5.9 ft lb - 7.38 ft lb.

2.3

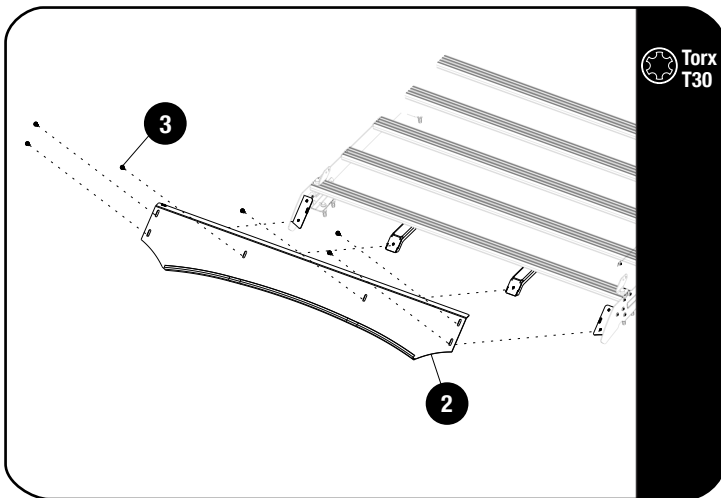


Before moving to the next step make sure that the Wind Fairing rubber (Item 11) is fitted to the Wind Fairing (Item 2).

2

FIT AND SECURE

2.4

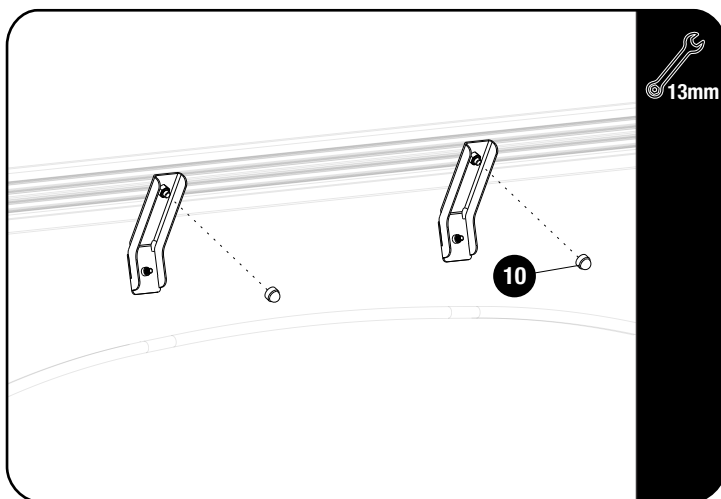


Fit the Wind Fairing (Item 2) to the mounting brackets using the M6 x 16 Button Head Flange Bolt (Item 3) and fully tighten.



Tightening Torque 8-10Nm / 5.9 ft lb - 7.38 ft lb.

2.5



Fully tighten the M8 Nyloc Nuts Fitted in Step 2.1 and place the M8 Nut Caps (Item 10) onto the M8 Nyloc Nuts.



Tightening Torque:

M8 : 15-20Nm / 11.06 ft lb - 14.75 ft lb

3

FINISH

Congratulations! You did it. Take a step back and admire your work!

4

INSTALL OTHER VEHICLE AND RACK ACCESSORIES

Now's the time to visit your favorite Front Runner Dealer in person or online.

Be sure to tag us. We love to see our gear in action! #FrontRunnerOutfitters #BornToRoam

Share your adventures on:

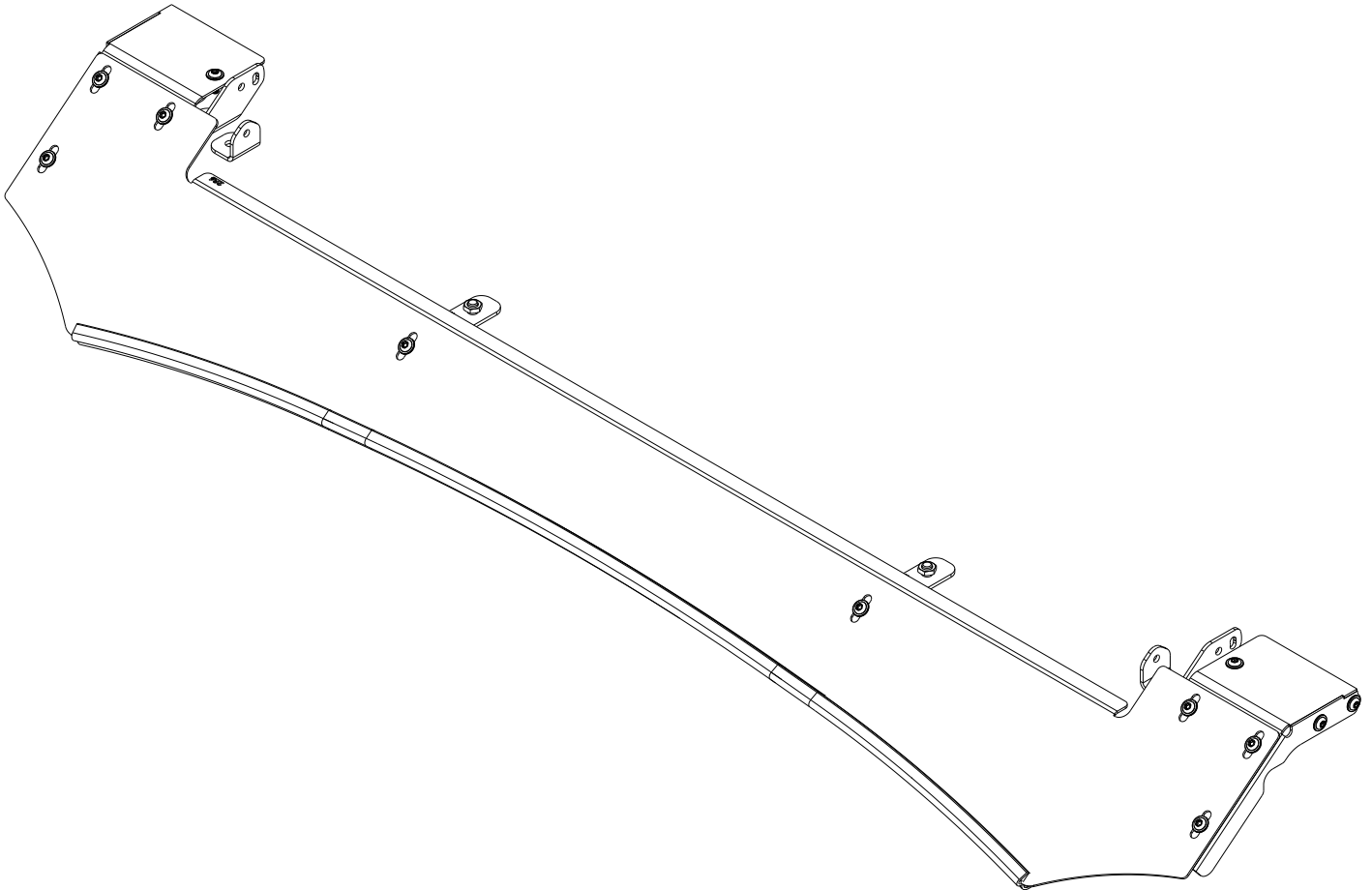


FRONT RUNNER

**TOYOTA TUNDRA CREW CAB (2022-CURRENT)
SLIMSPORT RACK 40" LIGHT BAR WIND FAIRING**

ENG

RRAC264



READ ME ! ⚠

Thank you for purchasing a Front Runner Toyota Tundra Crew Cab (2022-Current) Slimsport Rack 40" Light Bar Wind Fairing

Before you start, take a moment to familiarize yourself with the Fitting Instructions and the included components.

Refer to Page 2 for a list of all the components, quantities and tools required.

IMPORTANT WARNING! ⚠

IT IS CRITICAL THAT ALL FRONT RUNNER PRODUCTS BE PROPERLY AND SECURELY ASSEMBLED AND ATTACHED TO YOUR VEHICLE. IMPROPER ATTACHMENT COULD RESULT IN AN AUTOMOBILE ACCIDENT, AND COULD CAUSE SERIOUS BODILY INJURY OR DEATH. YOU ARE RESPONSIBLE FOR ASSEMBLING AND SECURING ALL FRONT RUNNER PRODUCTS TO YOUR VEHICLE, CHECKING THE ATTACHMENTS PRIOR TO USE, AND PERIODICALLY INSPECTING THE PRODUCTS FOR ADJUSTMENT, WEAR AND DAMAGE. THEREFORE, YOU MUST READ AND UNDERSTAND ALL OF THE INSTRUCTIONS AND PRECAUTIONS SUPPLIED WITH YOUR FRONT RUNNER PRODUCT PRIOR TO INSTALLATION OR USE. IF YOU DO NOT UNDERSTAND ALL OF THE INSTRUCTIONS AND CAUTIONS, OR IF YOU HAVE NO MECHANICAL EXPERIENCE AND ARE NOT THOROUGHLY FAMILIAR WITH THE INSTALLATION PROCEDURES, YOU SHOULD HAVE THE PRODUCT INSTALLED BY A PROFESSIONAL INSTALLER OR OTHER QUALIFIED PERSONNEL.

NOTE: Front Runner will not be responsible for any damage caused by the failure to install the product according to these instructions.

Please call us if you have any questions about the installation of this product.



1 GET ORGANIZED

IN THE BOX

1	1 X	Wind Fairing
2	1 X	Wind Fairing Mounting Bracket LH
3	1 X	Wind Fairing Mounting Bracket RH
4	2 X	Center Support Bracket
5	1 X	Stiffener Bracket LH
6	1 X	Stiffener Bracket RH
7	1 X	Light Bar Bracket High Profile LH
8	2 X	Light Bar Bracket Low Profile
9	1 X	Light Bar Bracket High Profile RH
10	4 X	M8 x 16 Hex Screw
11	4 X	M8 Nyloc Nut
12	14 X	M6 x 16 Button Head Flange Bolt
13	1 X	Wind Fairing Rubber 1100mm Long
14	2 X	M8 x 12 Button Head Screw
15	2 X	M8 Thin Nut

TOOLS NEEDED

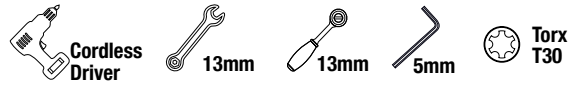
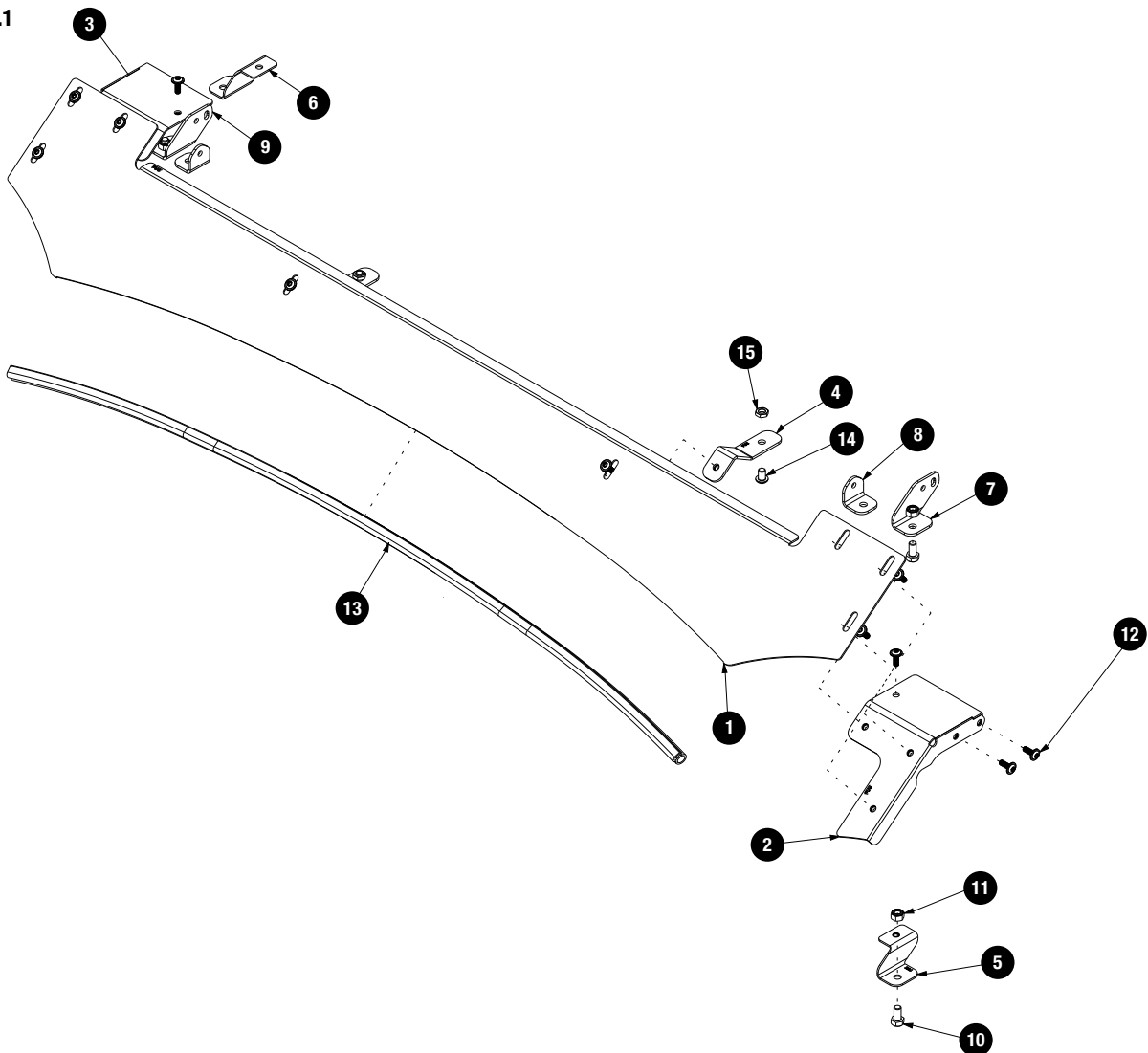


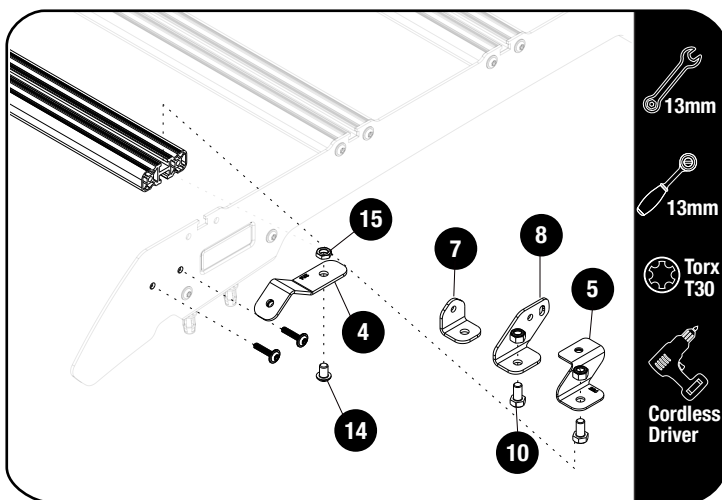
FIGURE 1.1



2

FIT AND SECURE

2.1



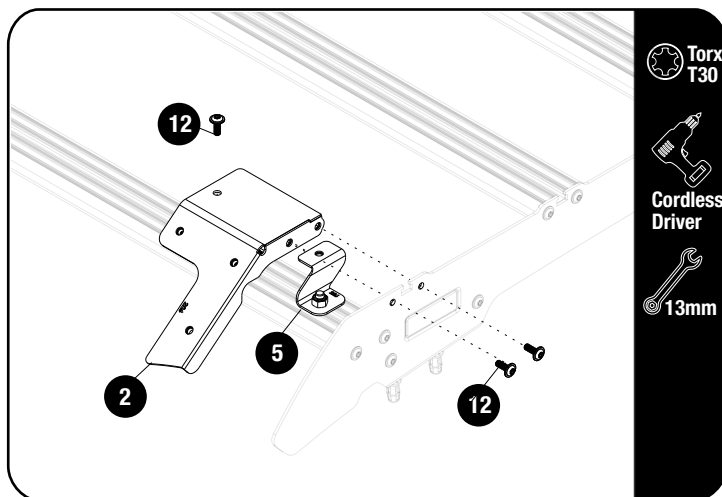
Start by removing the four M6x25 thread forming screws securing the front slat, two per side. Slide four M8x20 hex head bolts (item 10) into the slat top T slot for the light bar brackets and support brackets (item 5).

Choose which lightbar bracket is best suited for your lightbar and fit using M8x20 bolt inserted earlier and M8 nyloc nut. DO NOT FULLY TIGHTEN

Slide two M8 thin nuts (item 15) into the bottom T slot and fit center support brackets (item 4) using M8 button head screw (item 14) DO NOT FULLY TIGHTEN.

Refit the front slat to the lower mounting holes using the M6x25 thread forming screws

2.2



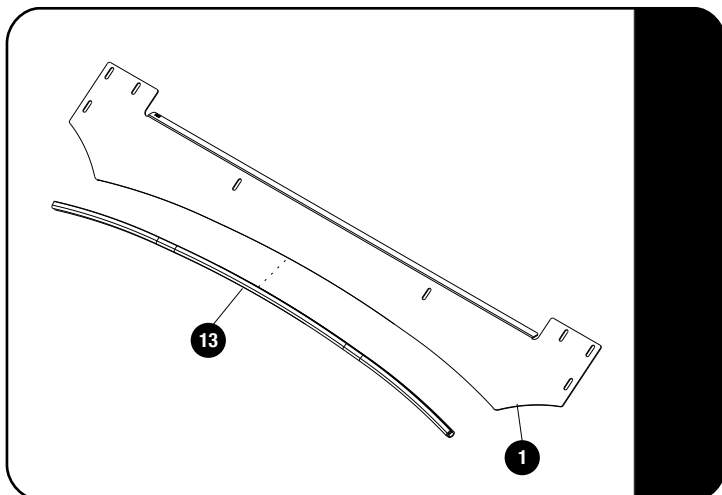
Fit the Side mount bracket (Item 2) to the two top holes in the foot rail as shown using the M6 x 16 button head flange screws (Item 12) and fully tighten.

Slide the stiffener bracket assembled in 2.1 and align with top hole in side mount bracket and tighten with the M6 x 16 Button head flange screw. Fully tighten all the M6 x 16 Bolts and the M8 Nyloc nut.



Tightening Torque 8-10Nm / 5.9 ft lb - 7.38 ft lb.

2.3

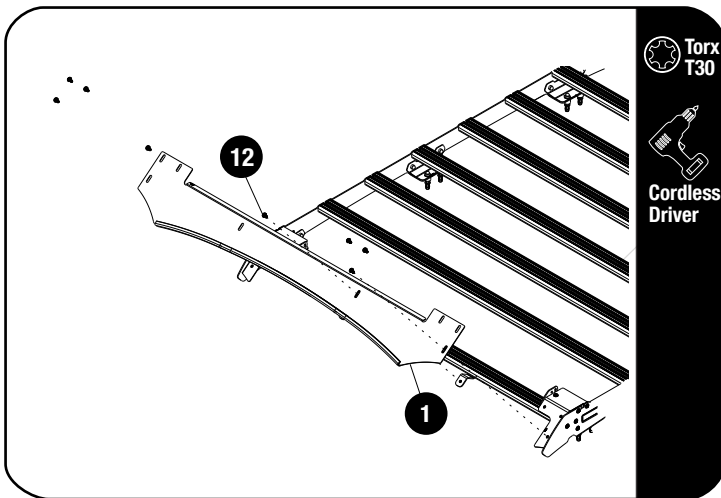


Before moving to the next step make sure that the Wind Fairing rubber (Item 13) is fitted to the Wind Fairing (Item 1).

2

FIT AND SECURE

2.4



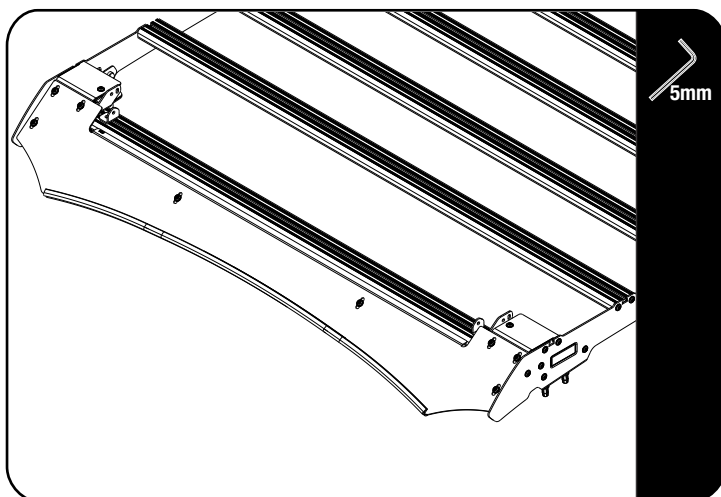
Position the wind fairing over the side brackets and insert one M6x16 flange head screw (Item 12) into each of the side brackets. Align the two center brackets with the two middle slots in the wind fairing and insert one M6x16 (Item 12) flange head screw into each. Fully tighten the two M8x12 button head screws (Item 14) below holding the center brackets.

Insert the remaining top four M6x16 flange head bolts into the wind fairing. Adjust fairing down to the roof, insuring the rubber bubble on the trim sits evenly. **FULLY TIGHTEN ALL FASTENERS**



Tightening Torque 8-10Nm / 5.9 ft lb - 7.38 ft lb.

2.5



Adjust light bar brackets to suit light bar that has been fitted and fully tighten the screws.



Tightening Torque:

M8 : 15-20Nm / 11.06 ft lb - 14.75 ft lb

3

FINISH

Congratulations! You did it. Take a step back and admire your work!

4

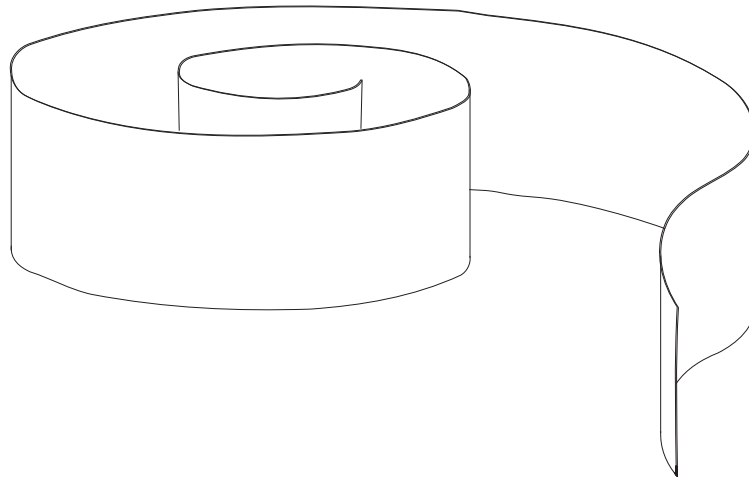
INSTALL OTHER VEHICLE AND RACK ACCESSORIES

Now's the time to visit your favorite Front Runner Dealer in person or online.

Be sure to tag us. We love to see our gear in action! #FrontRunnerOutfitters #BornToRoam

Share your adventures on:



**READ ME !** ⚠

Thank you for purchasing Front Runner Protective strip.

Before you start, take a moment to familiarize yourself with the Fitting Instructions and the components received.

Refer to Page 2 for a list of all the components, quantities and tools required.

IMPORTANT WARNING! ⚠

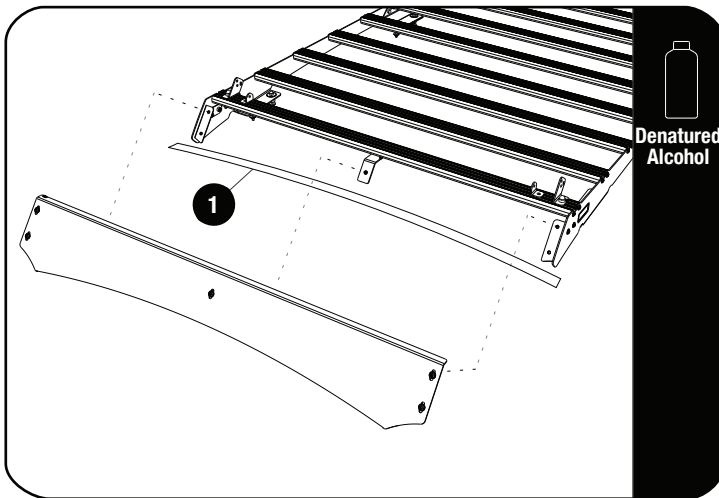
IT IS CRITICAL THAT ALL FRONT RUNNER PRODUCTS BE PROPERLY AND SECURELY ASSEMBLED AND ATTACHED TO YOUR VEHICLE. IMPROPER ATTACHMENT COULD RESULT IN AN AUTOMOBILE ACCIDENT, AND COULD CAUSE SERIOUS BODILY INJURY OR DEATH. YOU ARE RESPONSIBLE FOR ASSEMBLING AND SECURING ALL FRONT RUNNER PRODUCTS TO YOUR VEHICLE, CHECKING THE ATTACHMENTS PRIOR TO USE, AND PERIODICALLY INSPECTING THE PRODUCTS FOR ADJUSTMENT, WEAR AND DAMAGE. THEREFORE, YOU MUST READ AND UNDERSTAND ALL OF THE INSTRUCTIONS AND PRECAUTIONS SUPPLIED WITH YOUR FRONT RUNNER PRODUCT PRIOR TO INSTALLATION OR USE. IF YOU DO NOT UNDERSTAND ALL OF THE INSTRUCTIONS AND CAUTIONS, OR IF YOU HAVE NO MECHANICAL EXPERIENCE AND ARE NOT THOROUGHLY FAMILIAR WITH THE INSTALLATION PROCEDURES, YOU SHOULD HAVE THE PRODUCT INSTALLED BY A PROFESSIONAL INSTALLER OR OTHER QUALIFIED PERSONNEL.

NOTE: Front Runner will not be responsible for any damage caused by the failure to install the product according to these instructions.

Please call us if you have any questions about the installation of this product.

1 FIT AND SECURE

1.1



Use the Clear Protective Strip (Item 1) to protect the paint work of the vehicle, where the Rubber Trim may make contact with the roof.

Apply Denatured Alcohol to make sure the roof is clean before applying.

Align the protective strip where the wind fairing rubber strip will be touching the roof.

Remove the backing tape and apply the strip. Use a soft, clean cloth to apply pressure.

Refit the Wind Fairing and fully tighten.

3 WIND FAIRING CARE



Clean dust and debris build-up between the Rubber Trim and Clear Protection Strip at regular intervals.

4 FINISH

Congratulations! You did it. Take a step back and admire your work!

5 INSTALL OTHER VEHICLE AND RACK ACCESSORIES

Now's the time to visit your favorite Front Runner Dealer in person or online.

Be sure to tag us. We love to see our gear in action! #FrontRunnerOutfitters #BornToRoam

Share your adventures on:  