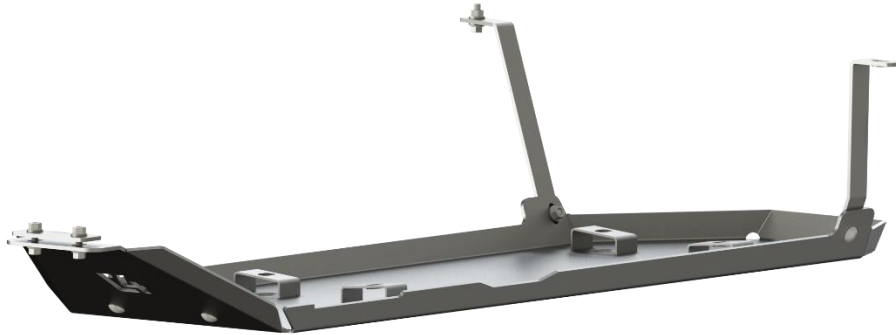


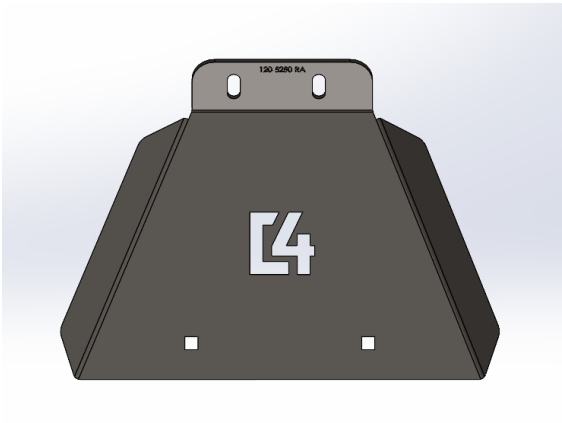
3rd Gen Tacoma Fuel Tanks Skid Install Instructions



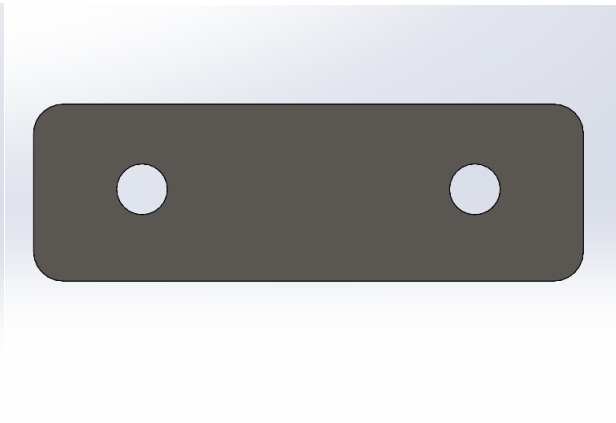
Hardware List

Hardware	Quantity
3/8" x 1" Flange Bolt	3
3/8" Flat Washer	15
3/8" Flange Nut	7
3/8" x 3/4" Carriage Head Bolt	4

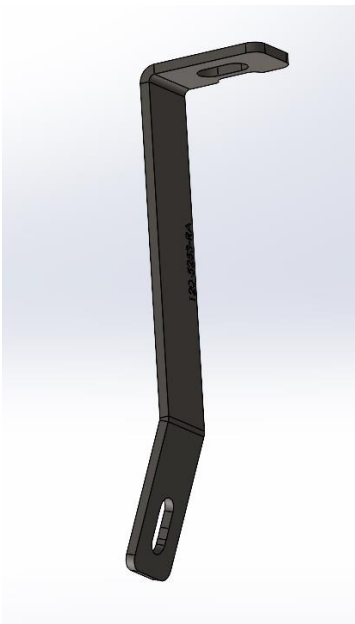
Remove the factory fuel tank skid and set aside the factory hardware, as some of it will be utilized when installing the C4 Fabrication Fuel Tank Skid. Also remove the 14mm bolt near the driver side rear of the fuel tank, located behind the rear factory fuel tank strap. Please refer to the image on page 7 for reference.



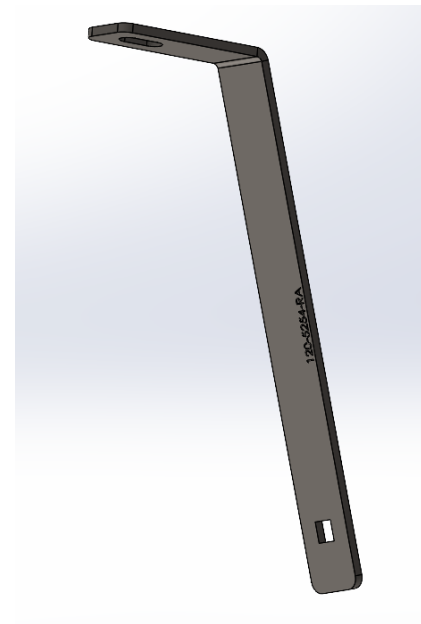
Front Main Panel



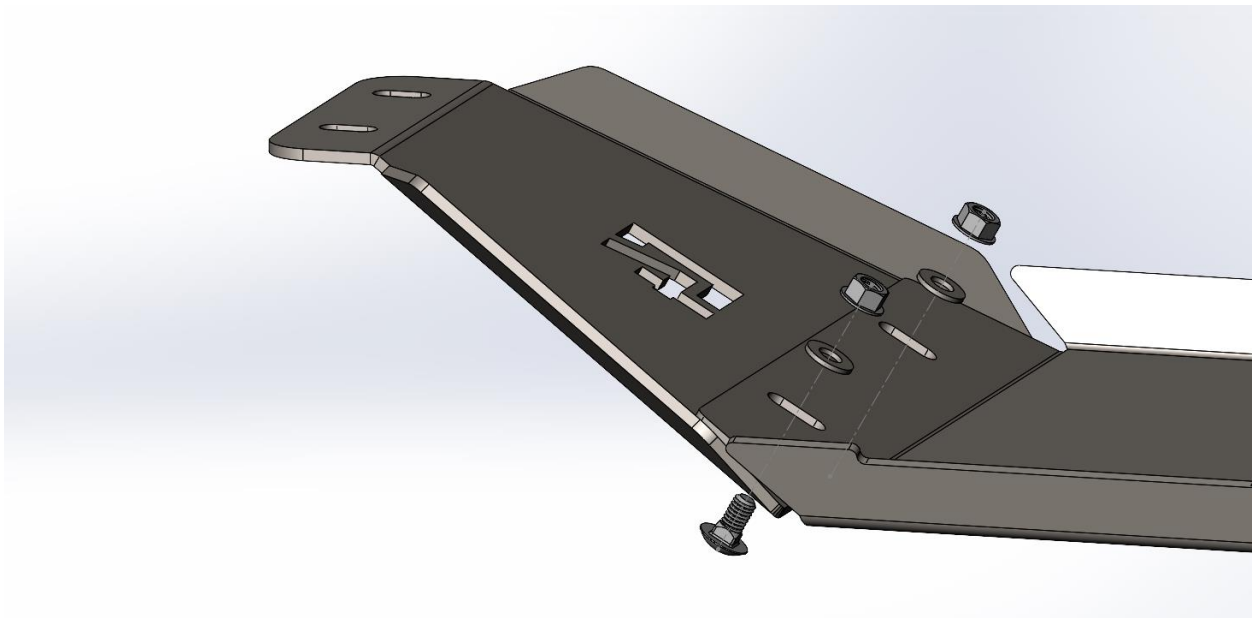
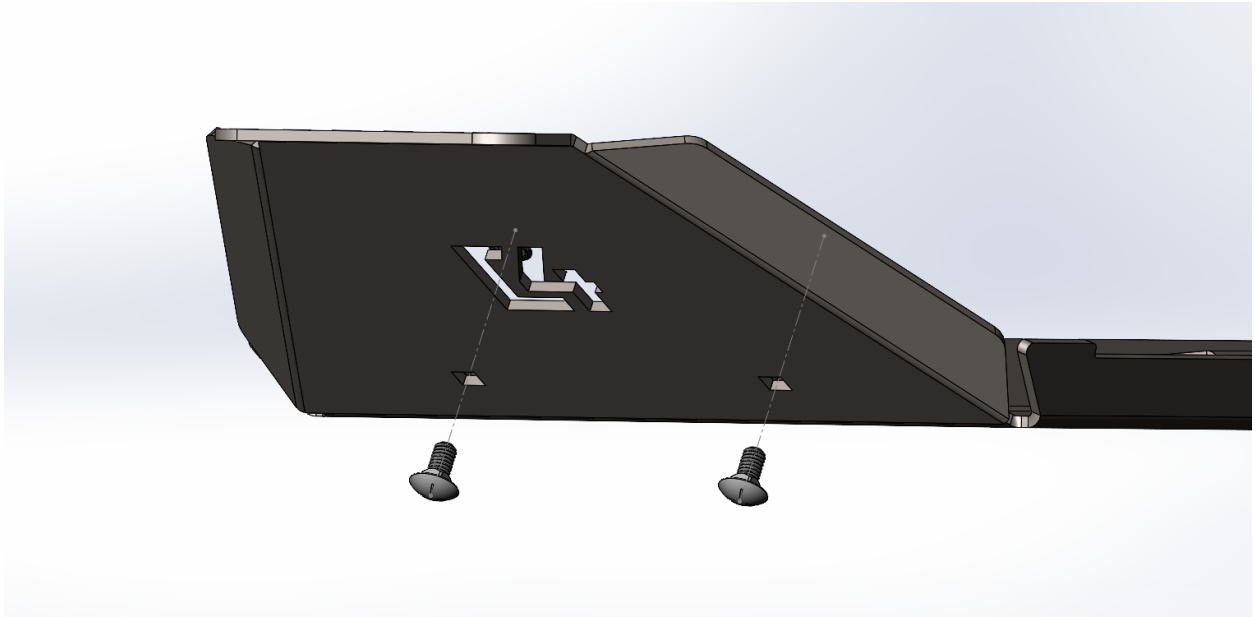
Front Main Panel Backing Plate



Driver Side Rear Support Bracket



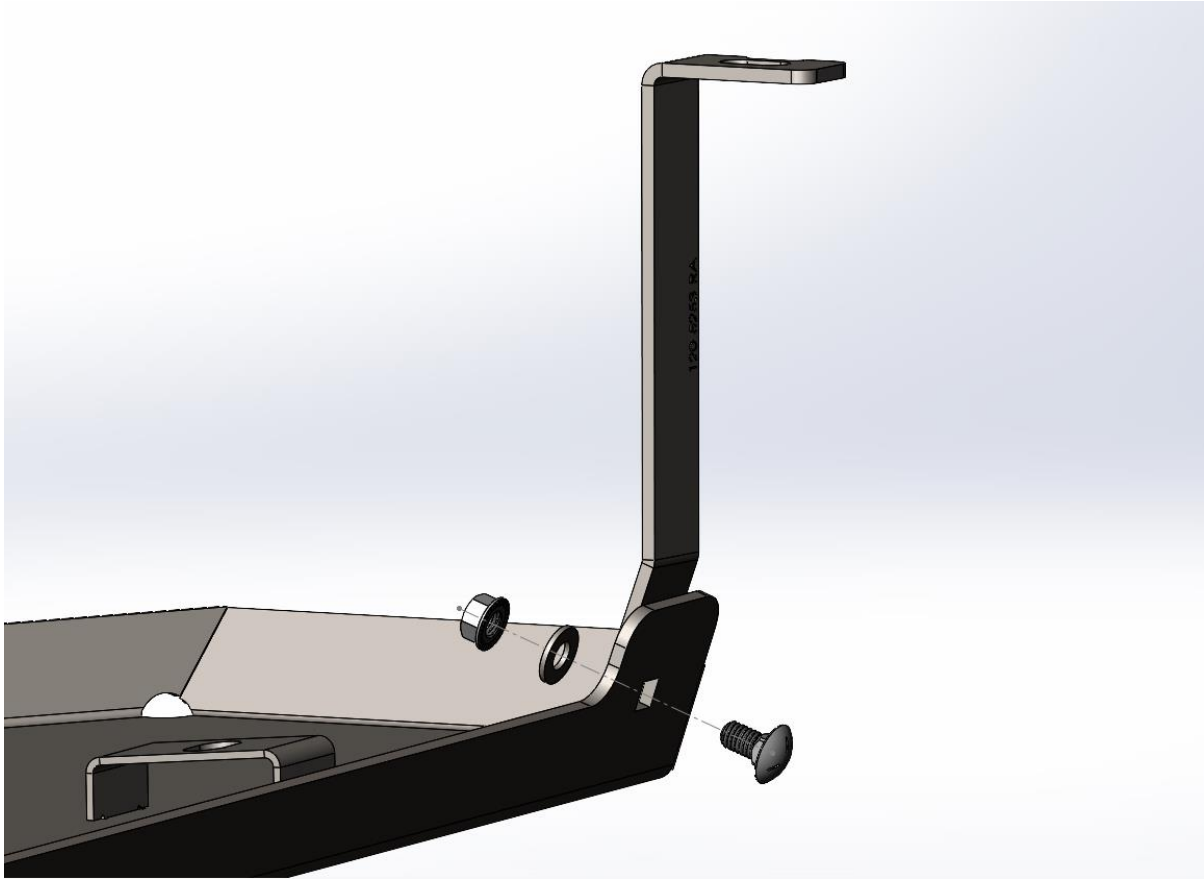
Passenger Side Rear Support Bracket



Attach the Front Main Panel to the skid plate using the following supplied hardware:

- (2) 3/8" x 3/4" Carriage Head Bolts
- (2) 3/8" Flat Washers
- (2) 3/8" Flange Nuts

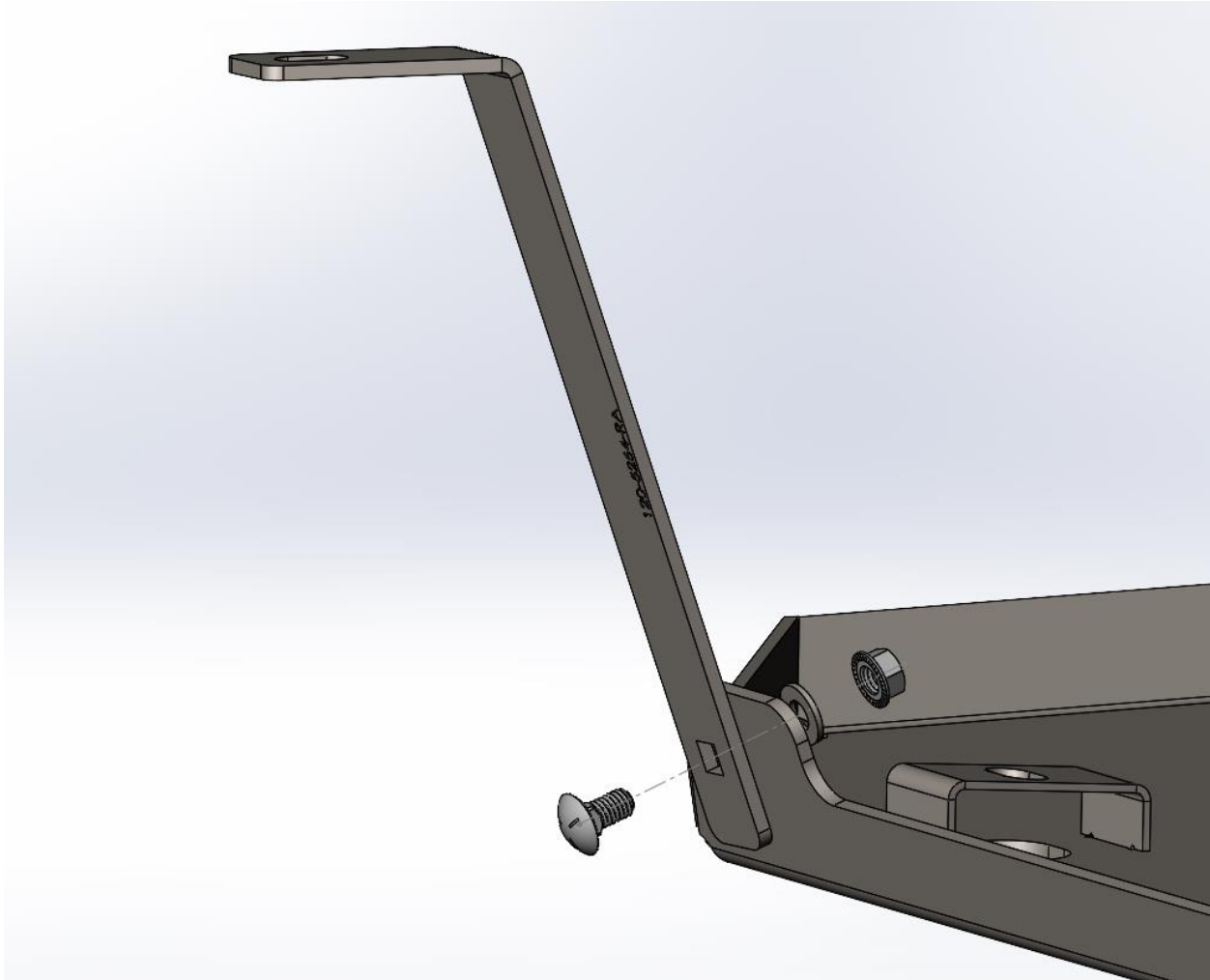
The front main panel is mounted on the outside face of the skid plate. Loosely install hardware and wait to tighten until skid is installed on vehicle.



Attach the driver side support bracket using the following supplied hardware:

- (1) 3/8" x 3/4" Carriage Head Bolt
- (1) 3/8" Flat Washer
- (1) 3/8" Flange Nut

The driver side rear support bracket is mounted on the inside face of the skid plate. Loosely install hardware and wait to tighten until skid is installed on vehicle.

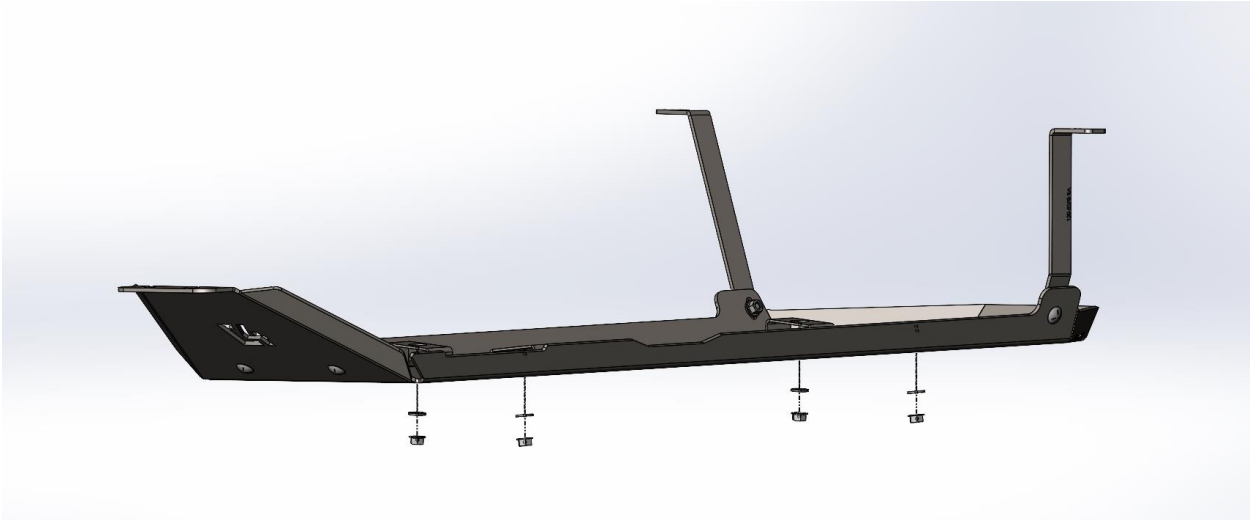


Attach the passenger side rear support bracket using the following hardware:

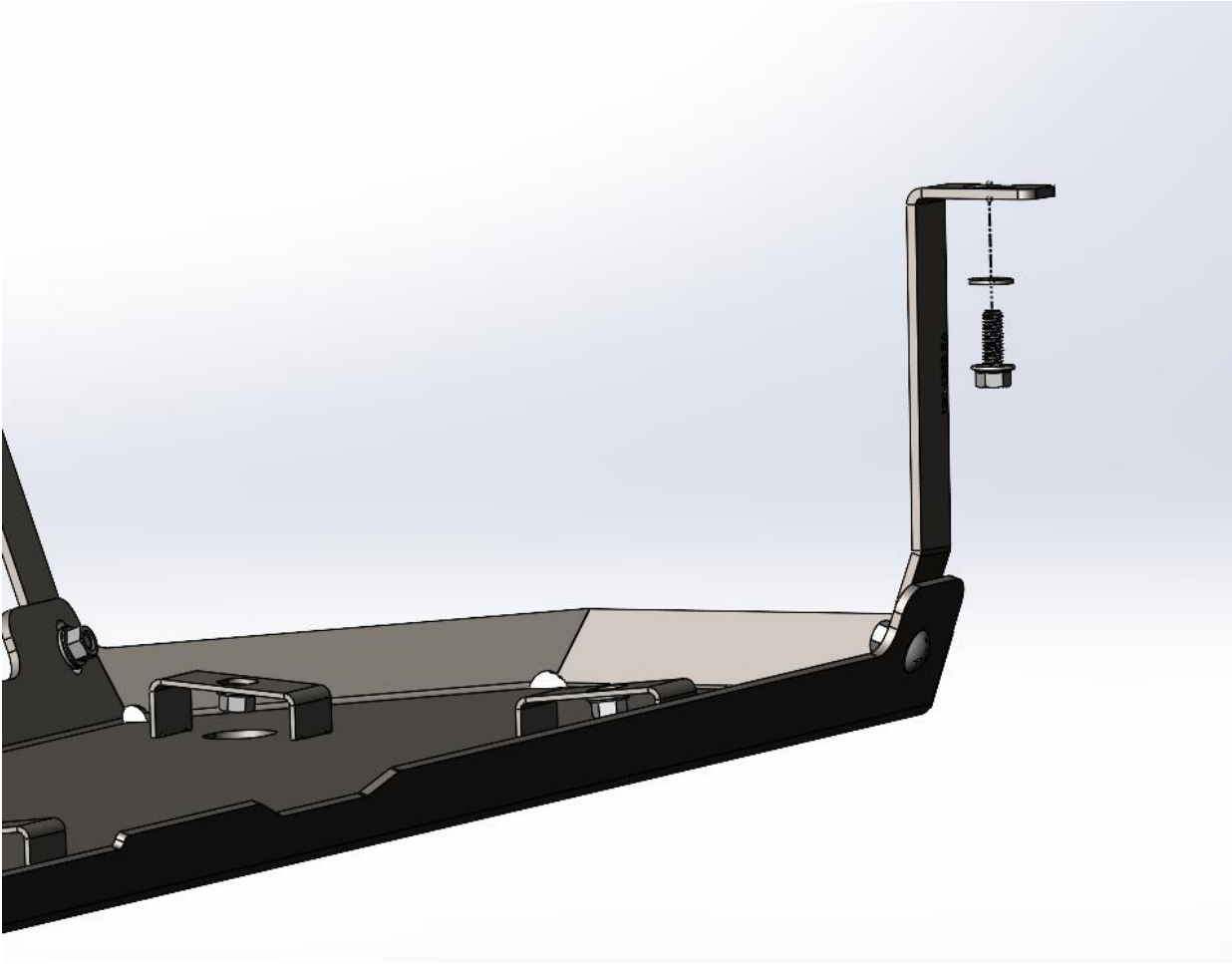
- (1) 3/8" x 3/4" Carriage Head Bolt
- (1) 3/8" Flat Washer
- (1) 3/8" Flange Nut

The passenger side rear support bracket is mounted on the outside face of the skid plate. Loosely install hardware and wait to tighten until skid is installed on vehicle.

Now that all brackets are loosely installed on the skid plate, find the (4) 12mm nuts that secured the factory fuel tank skid to the bottom of the fuel tank. These will be used with (4) of the supplied 3/8" flat washers to install the C4 skid plate to the fuel tank. Lift the fuel tank skid to the fuel tank, aligning the slots in the fuel tank skid with the (4) studs on the vehicles fuel tank.

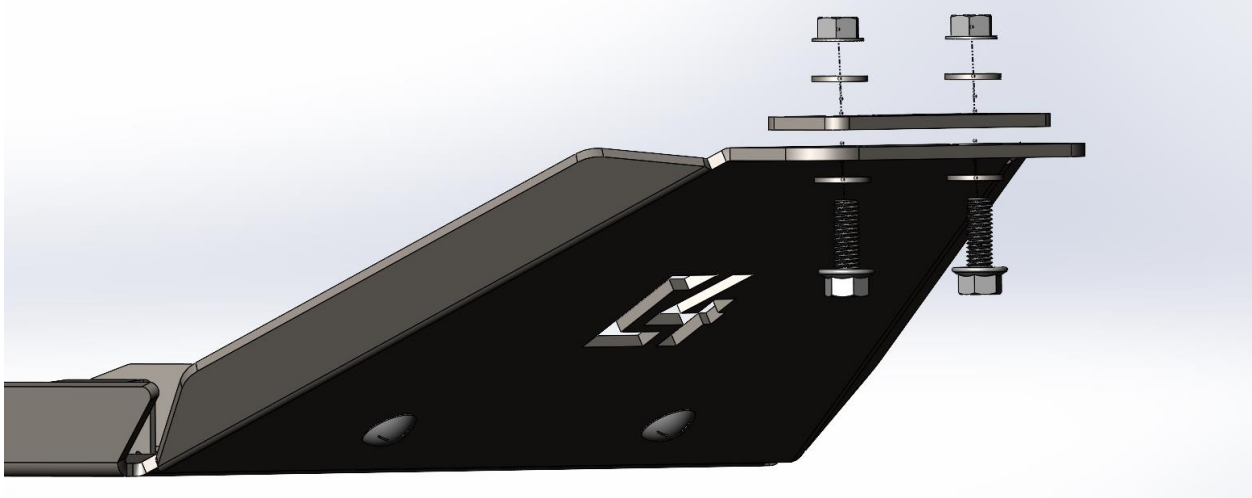


Using the factory 12mm nuts and (4) of the supplied 3/8" flat washers, loosely install the hardware to secure the skid plate to the fuel tank.



Line up the driver side rear support bracket slot with the factory threaded hole, place (1) of the supplied 3/8" flat washer over the factory 14mm bolt and secure the bracket to the frame. Refer to the image below for bolt placement.



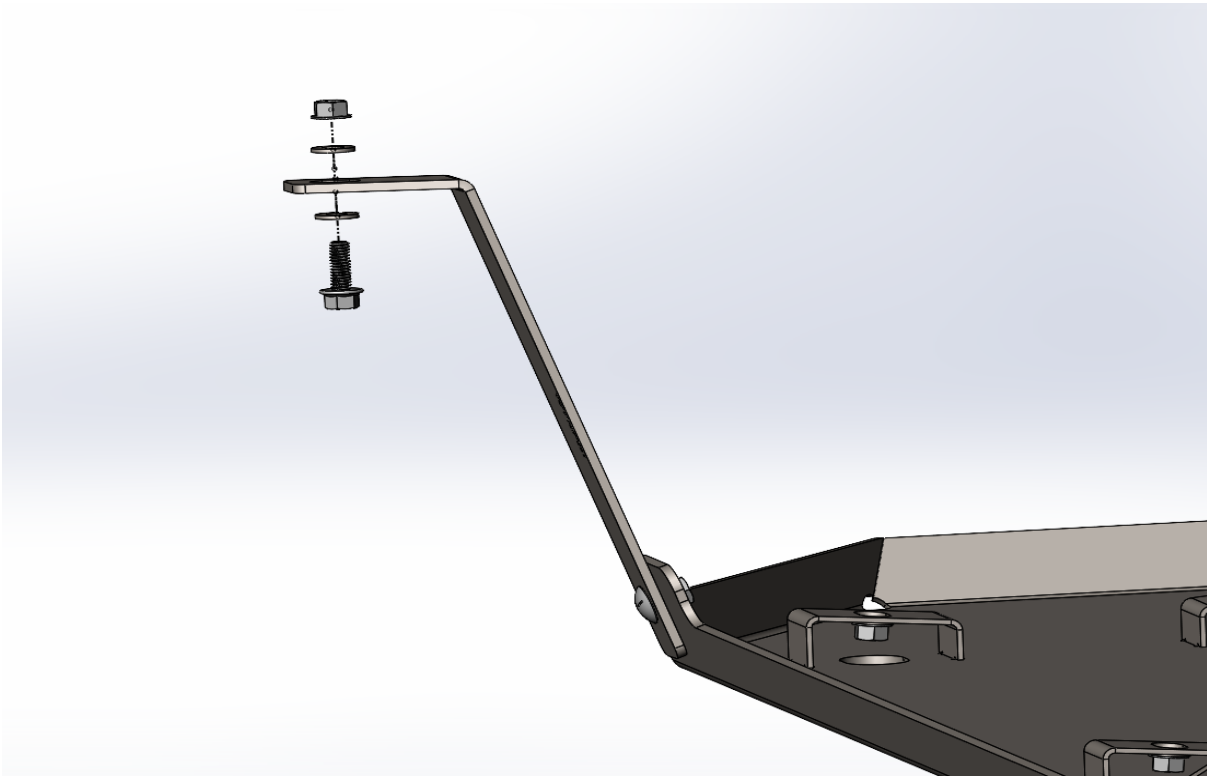


Insert the front main panel backing plate on top of the crossmember, lining up with the holes in the crossmember and skid plate. Use the supplied hardware to sandwich the crossmember between the fuel tank skid and the backing plate. The following hardware is used for the attaching the backing plate to the skid plate:

- (2) 3/8"x1" Flange Bolt
- (2) 3/8" Flange Nuts
- (4) 3/8" Flat Washers

The front main panel will align with the vehicle crossmember as pictured below:





Now line up the passenger side rear support strap with the corresponding hole on the vehicle. Use the following supplied hardware to secure the support bracket to the vehicle:

- (1) 3/8" x 1" Flange Nut
- (1) 3/8" Flange Nuts
- (2) 3/8" Flat Washers

Please refer to the picture below for where the bracket will align with the vehicle for bolt placement.



Align the fuel tank as needed while hardware is still loose. It is important to make sure no hardware or any part of the skid is contacting the fuel tank, except for the (4) mounting points on the bottom of the fuel tank. Once fuel tank is in desired location, tighten all hardware accordingly. Your C4 Fabrication Fuel Tank Skid Installation is now complete!!!