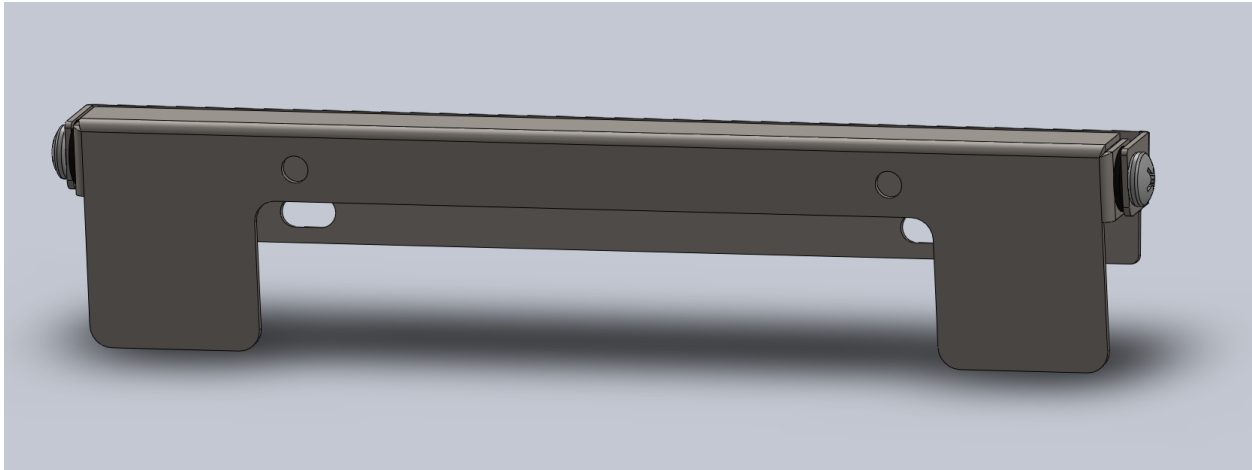


# Rear License Plate Bracket Install Instructions

Thank you for purchasing a C4 Fabrication Rear Bumper! The following instructions will show how to install your Rear License Plate Flip-Up Bracket.



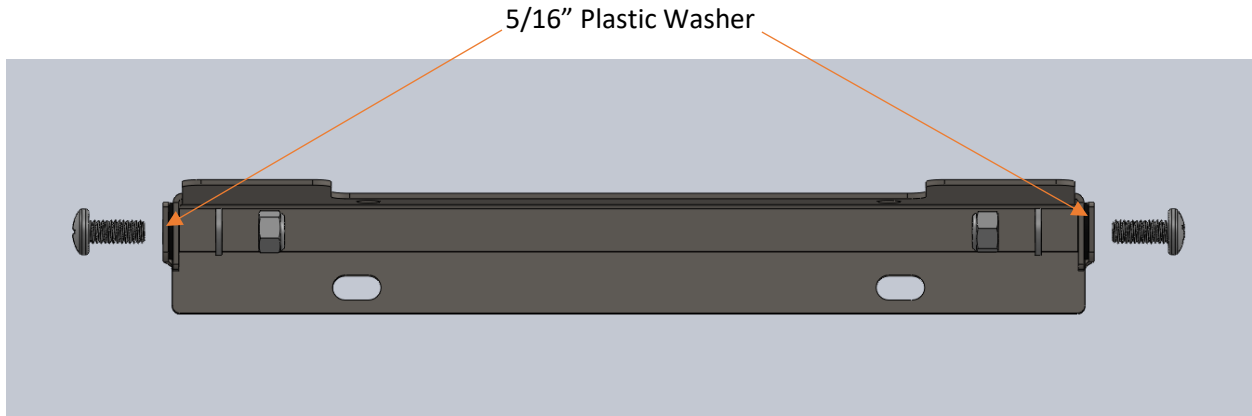
**Figure 1.** License Plate Flip-Up Bracket

In Figure 1 the two pieces of the License Plate Flip-Up Bracket are shown. The rear bracket will mount to the sloped face of the bumper. The front bracket will mount to the license plate. Table 1 list all the supplied hardware for installing the License Plate Flip-Up Bracket and license plate to the rear bumper.

**Table 1.** Included Hardware

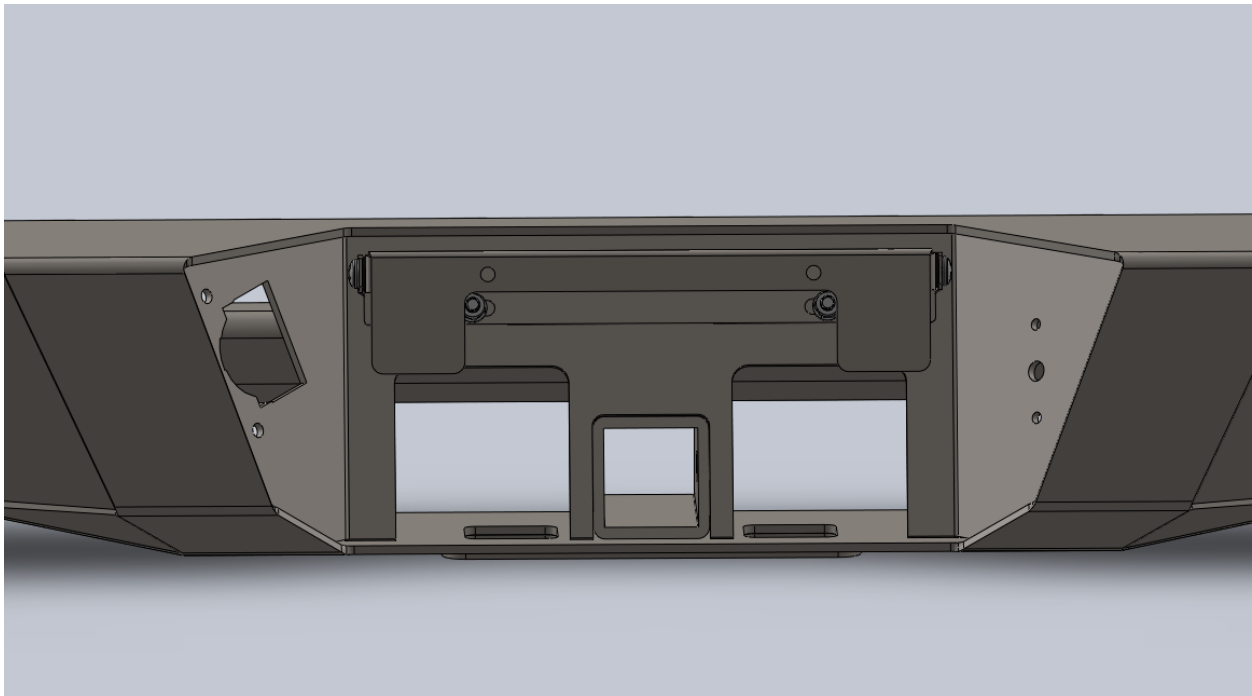
Item	Qty
5/16" Nyloc Nut	2
5/16" x 3/4" Button Head Bolt	2
5/16" Nylon Washer	2
1/4" Flat Washer	8
1/4"x 3/4" Button Head Bolt	2
1/4" Nyloc Nut	2

First start by attaching the two brackets together. There will be a 5/16" nylon washer placed **between the two brackets**. Figure 2 shows an exploded view of how the hardware is attached. Place the 5/16" button head bolt through the holes connecting the two brackets with the nylon washer sandwiched between. Now place the 1/4" flat washer and 5/16" nyloc on either side respectively.



**Figure 2.** Hardware Exploded View

Next mount the license plate to the bracket using the supplied  $\frac{1}{4}$ " x  $\frac{3}{4}$ " button head bolt,  $\frac{1}{4}$ " flat washer and  $\frac{1}{4}$ " nyloc nut respectively. The  $\frac{1}{4}$ " x  $\frac{3}{4}$ " button head bolt will be placed through the front of the license plate, through the bracket, and  $\frac{1}{4}$ " washer and nut placed to secure the license plate to the bracket.



**Figure 3.** License Plate Flip-Up Bracket mounted to Rear Bumper

Finally mount the license plate bracket to the rear bumper as shown in Figure 3. The slots will locate the two  $\frac{5}{16}$ " nuts welded to the bumper. Attached brackets using the supplied  $\frac{1}{4}$ " flat washer and  $\frac{5}{16}$ " x  $\frac{1}{2}$ " button head bolt. Your rear License Plate Flip-Up Mount is now complete!