

SILENT ROOM M acoustic pods



FEATURES

- Enhanced ergonomic and comfort
- Advanced lighting and ventilation
- Good sound absorption and insulation
- Design and wide customization possibilities

TECHNICAL INFORMATION

External walls (5 panels upholstered with fabric) (1)

- Welded frame made of metal tube 40x20 mm;
- Angular brackets made of metal tube 40x40 mm;
- Powder coated metal;
- Height levelling feet (+30 mm);
- Made of 12 mm MFC;
- Covered with VB2240 foam (3 mm);
- Upholstered with fabric.

External walls (1 solid panel from melamine) (1)

- Welded frame made of metal tube 40x20 mm;
- Angular brackets made of metal tube 40x40 mm;
- Powder coated metal;
- Height levelling feet (+30 mm);
- Made of 16 mm MFC with 1 mm ABS edging.

External walls with glass (1)

- Metal door frame made of 40x20 mm tube;
- Powder coated metal;
- Inside gasket is made of 12 mm MFC with 1 mm ABS edging;
- Front sides and top of the metal frame covered with 16 mm MFC with 1 mm ABS edging;
- 8 mm TSG (tempered safety glass), clear.

Internal acoustic walls (5 panels upholstered with fabric) (2)

- Frame made of metal tube 40x20 mm;
- Powder coated metal;
- Made of 12 mm MFC;
- Acoustic foam (40 mm);
- Upholstered with fabric.



Internal front walls (5 panels upholstered with fabric) (3)

- Frame made of metal tube 40x20 mm;
- Powder coated metal;
- Made of 12 mm MFC;
- Covered with VB2240 foam (3 mm);
- Upholstered with fabric.

Internal front walls (1 solid panel from melamine) (3)

- Frame made of metal tube 40x20 mm;
- Powder coated metal;
- Made of 16 mm MFC with 1 mm ABS edging.

Internal front central wall (with control unit) (4)

- Top front panel is made of 16 mm MFC with 1 mm ABS edging;
- Bottom front panel with hinges is made of 16 mm MFC with 1 mm ABS edging;
- Sides and internal construction parts made of 16 mm MFC with 0,5 mm ABS edging;
- Ventilation and lighting dimming knobs are made of PA 2200 (Nylon).

Table (5)

- Tabletop is made of 16 mm MFC with 1 mm ABS edging;
- Box for wires (135x150x100 mm) underneath the table top is made of powder coated metal sheet (1 mm);
- Table frame is made of metal tube 40x20 mm;
- Top of leg is made of metal tube 70x20 mm;
- Leg base is made of metal tube 40x40 mm;
- Powder coated metal;
- Height levelling plastic feet (+10 mm).

Ceiling (with air supply system and LED light) (6)

- Double layered ceilings made of 12 mm top and 16 mm bottom MFC panels with 1 mm ABS edging;
- Frame made of metal tube 50x20 mm;
- PIR sensor mounted in to central ceiling segment;
- Fan grills made of metal sheet (1 mm);
- Powder coated metal;
- Air supply duct inside glued with acoustic foam;
- Cable grommet Ø60 mm for optional power supply from ceiling.

Lighting (6)

- 3xLED modules (8,92W) colour temperature approx. 3000 K, dimmable;
- 3xLED housing (asymmetrical) made of aluminium;
- LED module replacement can only be purchased from manufacturer.

Ventilation (6)

- 4x air supply fans located in central segment of the ceilings;
- 4x air exhaust slots located in central segment of the ceilings for natural ventilation;
- Maximum airflow approx. 400 m³/h.

Screen bracket (7)

- Screen bracket base is made from powder coated metal tube 70x20 mm;
- VESA plate (120x120 mm) made of 2 mm metal sheet;
- VESA standards – 75x75 mm, 100x100 mm and recommended weight up to 10 kg;
- Recommended screen size up to 27";
- VESA plate can be fixed to the holder in 3 different heights;
- Bolts for flat screen assembly are not included.

Doors (L/R) (8)

- Metal door frame made of 40x40 mm tube and 40x8 mm steel rod;
- Powder coated metal;
- Bottom of door frame covered with stainless steel profile;
- Aluminium profiles with PVC sealing fixed to internal sides and top of door frame;
- Top of the metal frame covered with 16 mm MFC with 1 mm ABS edging;
- 8 mm TSG (tempered safety glass), clear;
- Clear width of a door opening - 750 mm.

Glass facade (9)

- Metal door frame made of 40x20 mm tube;
- Powder coated metal;
- Inside gasket is made of 12 mm MFC with 1 mm ABS edging;
- Front sides and top of the metal frame covered with 16 mm MFC with 1 mm ABS edging;
- 8 mm TSG (tempered safety glass), clear.

ELECTRICAL SPECIFICATION

Control box (10)

- Input (GST18i3 male): 100-240 V;
- Output (GST18i3 female): 100-240 V;
- Frequency: 50/60 Hz;
- Power cable: EU, UK, FR, CH, US – GST18i3 female, 3 m;
- Power output cable length: 0,5 m - GST18i3 male - GST18i3 female;
- Power consumption – max. 229W, standby 4,5W.

Power socket (ARU704)

- 1 AC power socket 100-240 V;
- Integrated USB fast charger (USB Type A+C, max 5A);
- 1 cable guide for multimedia cable;
- Mounting in Ø80 mm cut-out;
- Dimensions: Ø90x66 mm;
- Power socket standards: EU, FR, UK, CH, US;
- Cable length: 0,8 m.

Power socket (ARU703)

- 1 AC power socket 100-240 V;
- Dimensions: 90x66 mm;
- Mounting in Ø80 mm cut-out;
- Power socket standards: EU, FR, UK, CH, US;
- Cable length: 0,8 m.

Power socket block set for media (ZZZ336)

- 3 AC power sockets 100-240 V;
- Dimensions: 260x60x45 mm;
- Adaptor block GST18i3 T-type - 1xmale, 2xfemale;
- Power socket standards: EU, FR, UK, CH, US;
- Extension cable length: 0,5 m - GST18i3 male - GST18i3 female.

Power socket block set for media (ZZZ340)

- 3 AC power sockets 100-240 V;
- Dimensions: 260x60x45 mm;
- Metal frame 317x119x40, made from 2 mm metal sheet;
- Powder coated metal;
- Mounting in 300x110 mm cut-out;
- Power socket standards: EU, FR, UK, CH, US;
- Extension cable length: 0,5 m - GST18i3 male - GST18i3 female.

Power socket block set for media (ZZZ341)

- 2 AC power sockets 100-240 V;
- 1 LAN outlet (CAT6 RJ45) with 2 m flylead;
- Dimensions: 260x60x45 mm;
- Metal frame 317x119x40, made from 2 mm metal sheet;
- Powder coated metal;
- Mounting in 300x110 mm cut-out;
- Power socket standards: EU, FR, UK, CH, US;
- Extension cable length: 0,5 m - GST18i3 male - GST18i3 female.

Power socket block set for media (ZZZ342)

- 2 AC power sockets 100-240 V;
- 1 Integrated USB fast charger (Type A+C, max 5A);
- Dimensions: 260x60x45 mm;
- Metal frame 317x119x40, made from 2 mm metal sheet;
- Powder coated metal;
- Mounting in 300x110 mm cut-out;
- Power socket standards: EU, FR, UK, CH, US;
- Extension cable length: 0,5 m - GST18i3 male - GST18i3 female.

Power socket block set for media (ZZZ343)

- 1 AC power sockets 100-240 V;
- 1 Integrated USB fast charger (Type A+C, max 5A);
- 1 LAN outlet (CAT6 RJ45) with 2 m flylead;
- Dimensions: 260x60x45 mm;
- Metal frame 317x119x40, made from 2 mm metal sheet;
- Powder coated metal;
- Mounting in 300x110 mm cut-out;
- Power socket standards: EU, FR, UK, CH, US;
- Extension cable length: 0,5 m - GST18i3 male - GST18i3 female.



ARU704



ARU703



ZZZ336



ZZZ340



ZZZ341



ZZZ342

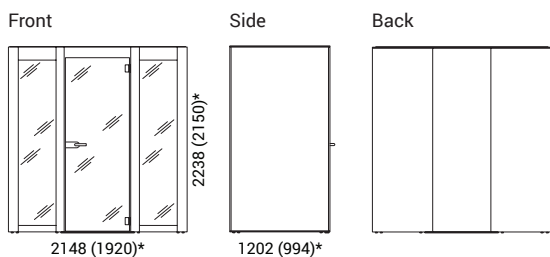


ZZZ343

RANGE

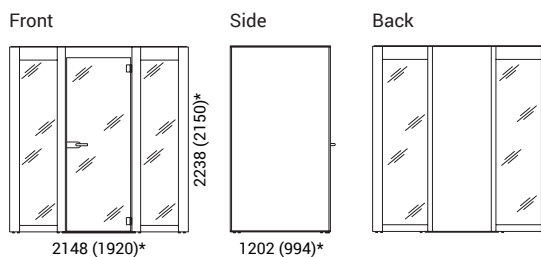
Melamine + melamine back version

Product weight: 472 kg



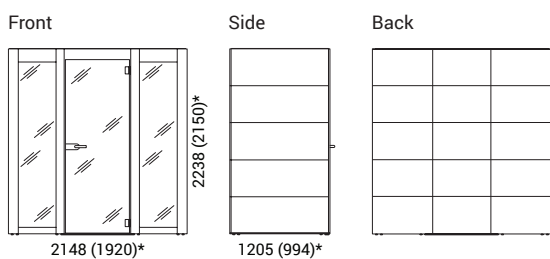
Melamine + glass back version

Product weight: 454 kg



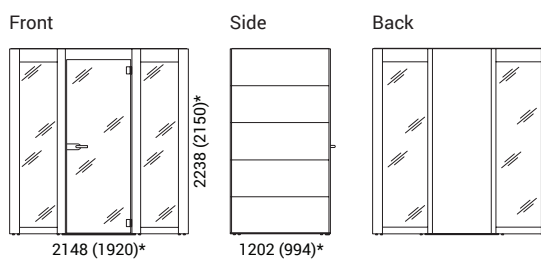
Fabric + fabric back version

Product weight: 458 kg



Fabric + glass back version

Product weight: 448 kg



*External dimension (internal dimension)

! Recommended height of the space for SILENT ROOM installation – ≥ 2400 mm.

Optional



Autonomous smoke alarm device



Smoke alarm device for alarm system



Dark grey carpet for 2 persons**



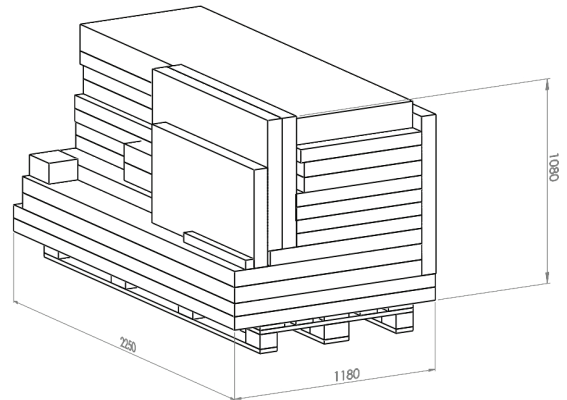
Power socket block set for media

**Highly recommended when SILENT ROOM is placed on the hard flooring. Not recommended to use on carpet!

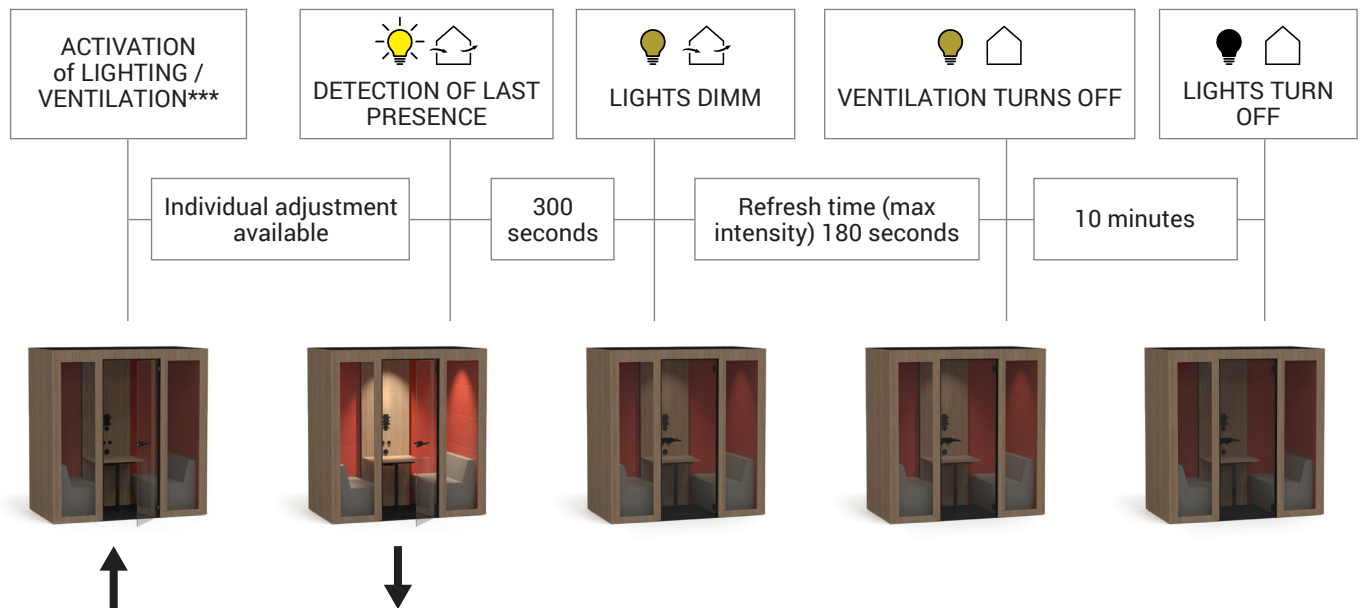
ADDITIONAL INFORMATION

Shipping dimensions (WxDxH): 2250x1180x1080 mm
(Accessories and poufs not included)

Height of shipping dimensions will be slightly smaller for
Silent Room with external rear wall with glass panes.



AUTOMATIC OPERATION



***Lighting/ventilation always starts in DEFAULT mode if custom mode is not set.