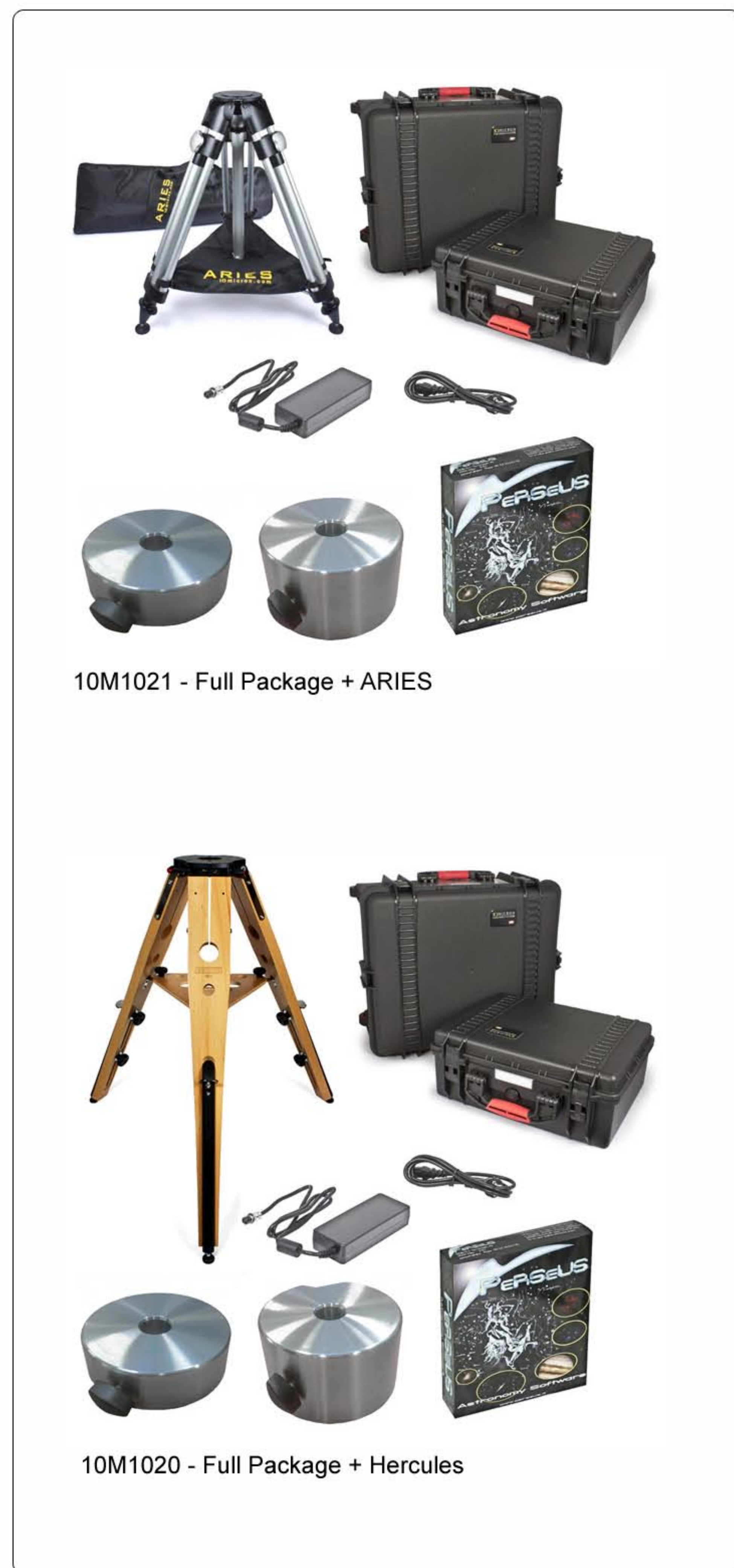


# GM1000HPS: MAIN ACCESSORIES DIAGRAM (PARTS NOT TO SCALE)



10M1021 - Full Package + ARIES

10M1020 - Full Package + Hercules



10M2125 - 3" dovetail bar - 300mm  
10M2130 - 3" dovetail bar - 400mm  
10M2130XL - 3" dovetail bar - 500mm

10M1105 - Adapter plate for Lodual



10M2105 - Lodual 3"



10M2577 - Mobile Power Supply 12-24V



10M4105 - GPS receiver



10M2060 - Mobile Power Supply 110-240V / 24V 6A



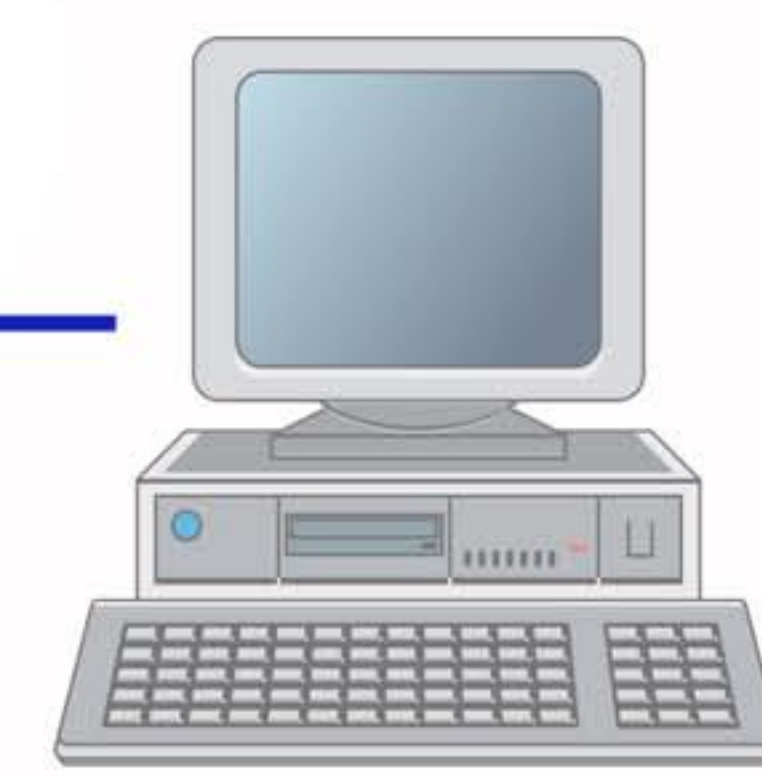
10M2070 - Stabilized P.Supply 230V/24V



10M1080 - Counterweight 6kg



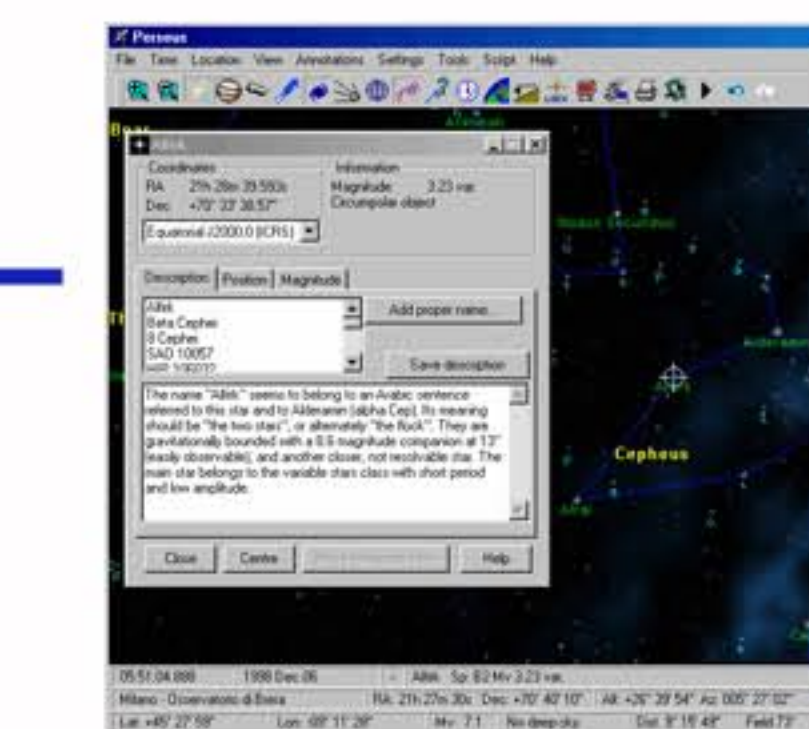
10M1075 - Counterweight 3kg



VIA PC CONTROL



10M1482B - Blue Astro Stickstation USB



10M5010 Perseus Level III



10M1050 - Laser holder

10M1012 - Half Pillar



10M1010 - Standard round Steel Pillar



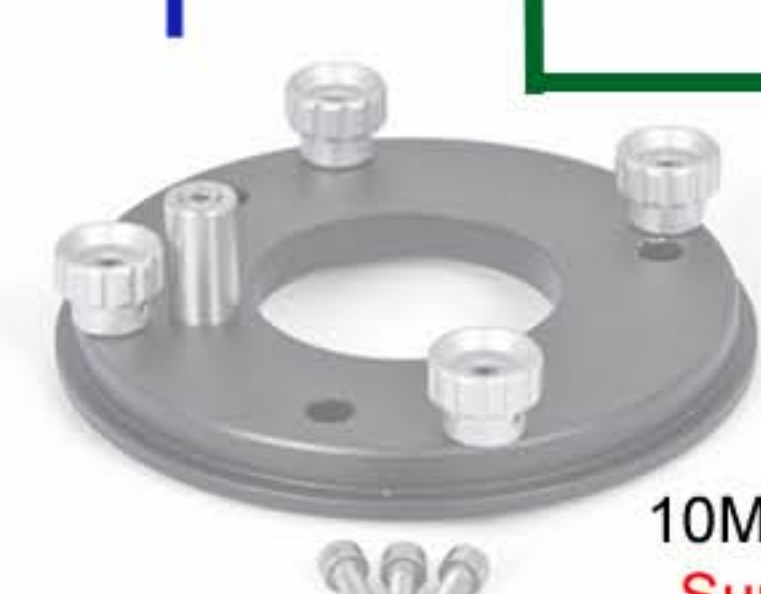
10M1011 - Controlbox holder



10M1090 - Pier adapter flange  
Supplied with GM1000HPS



10M1092 - Base adapt. flange  
Supplied with GM1000 HPS



10M1091 - Adapter for GM1000  
to Centaurus Tripod



10M1055 Aries tripod



V2057 - Centaurus II Tripod



10M1056 - Hercules Tripod



10M1210B - Baader Octagonal Pier  
10M1187B - Leveling flange



10M1065 - Mount protective cover



10M1064 - Standard PLB cases



10M1066 - Cardboards box  
Supplied with GM1000 HPS



10M1067 - Carrying bag