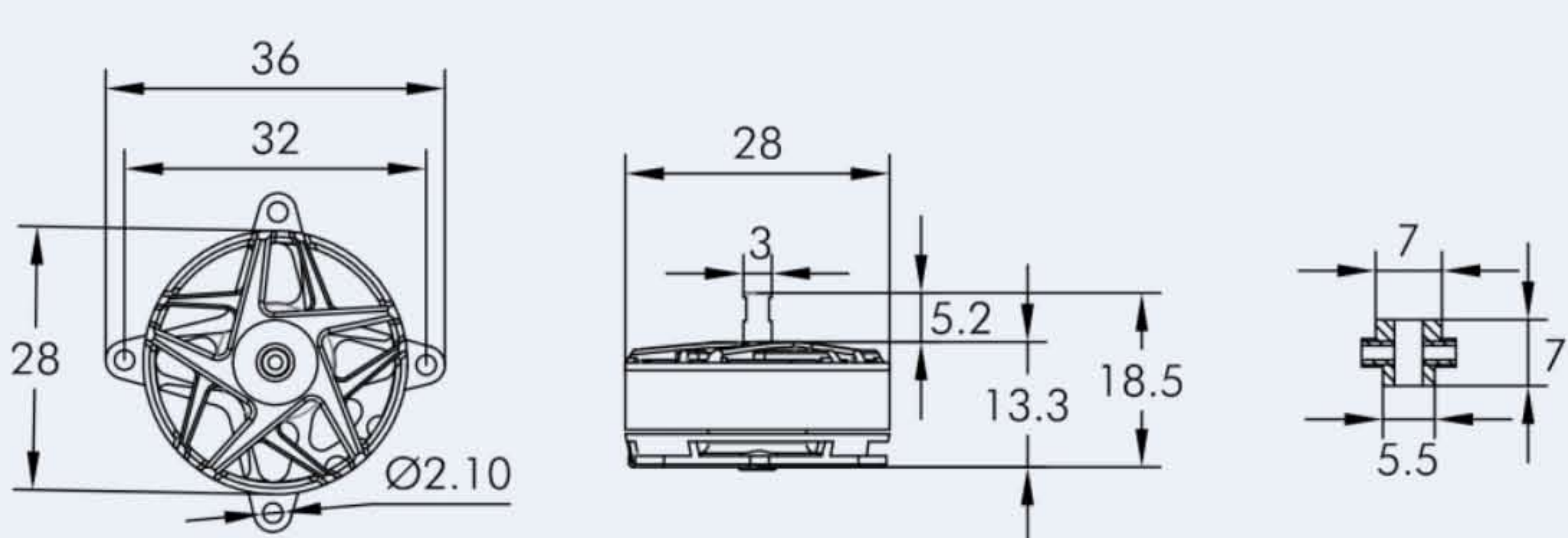


Product Drawing



Specifications

Test Item	KV1550	Weight (Incl. Cable)	23.7g
Motor Dimensions	Φ28*18.7mm	Internal Resistance	135mΩ
Lead	40mm	Configuration	12N14P
Shaft Diameter	IN: 4mm	Rated Voltage(Lipo)	2-3S
Idle Current(10V)	0.62A	Peak Current(180s)	19A
Max. Power(180s)	208w		

Test Item	KV1880	Weight (Incl. Cable)	25.3g
Motor Dimensions	Φ28*18.7mm	Internal Resistance	75.1mΩ
Lead	40mm	Configuration	12N14P
Shaft Diameter	IN: 4mm	Rated Voltage(Lipo)	2-3S
Idle Current(10V)	0.88A	Peak Current(180s)	24A
Max. Power(180s)	215W		

Test Report

Type	Propeller	Throttle	Voltage (V)	Current (A)	Power (W)	RPM	Torque (N*m)	Thrust (g)	Efficiency (g/W)	Operating Temperature (°C)
AM40 V2 KV1550	Polymer Carbon 8044	40%	8.38	0.98	8.20	3922	0.01	91	11.07	34.5
		50%	8.37	1.80	15.10	4919	0.01	149	9.85	
		60%	8.35	2.95	24.60	5845	0.02	215	8.74	
		70%	8.33	4.34	36.20	6688	0.03	281	7.78	
		80%	8.31	6.03	50.10	7451	0.04	354	7.06	
		90%	8.28	8.13	67.30	8151	0.05	435	6.47	
		100%	8.24	10.51	86.60	8802	0.06	515	5.95	
	Polymer Carbon 9048	40%	12.57	1.96	24.70	5754	0.02	203	8.23	44.2
		50%	12.55	3.51	44.00	6983	0.04	311	7.06	
		60%	12.52	5.52	69.10	8076	0.05	424	6.14	
		70%	12.48	8.00	99.80	9047	0.07	548	5.49	
		80%	12.44	10.91	135.80	9896	0.09	669	4.93	
		90%	12.39	14.44	178.90	10672	0.10	791	4.42	
		100%	12.33	17.93	221.20	11275	0.11	890	4.03	

Note: Motor temperature is motor surface temperature @100% throttle running 3mins.
(Date above based on benchtest are for reference only, comparion with that of other motor types is not recommended.)

Type	Propeller	Throttle	Voltage (V)	Current (A)	Power (W)	RPM	Torque (N*m)	Thrust (g)	Efficiency (g/W)	Operating Temperature (°C)
AM40 V2 KV1550	Polymer Carbon 9048	40%	8.38	1.31	11.00	3682	0.01	124	11.26	44.6
		50%	8.36	2.37	19.80	4557	0.03	194	9.78	
		60%	8.34	3.88	32.30	5381	0.04	278	8.59	
		70%	8.31	5.75	47.80	6121	0.05	364	7.62	
		80%	8.28	7.93	65.70	6735	0.06	448	6.83	
		90%	8.24	10.50	86.50	7312	0.07	531	6.14	
		100%	8.20	13.46	110.40	7817	0.09	619	5.61	
	Polymer Carbon 8048	40%	12.56	2.59	32.60	5317	0.03	282	8.65	75
		50%	12.53	4.62	57.90	6384	0.05	411	7.09	
		60%	12.49	7.15	89.30	7281	0.07	537	6.02	
		70%	12.45	10.14	126.20	8055	0.09	663	5.25	
		80%	12.39	13.76	170.50	8715	0.10	796	4.67	
		90%	12.33	17.74	218.80	9213	0.12	897	4.10	
		100%	12.27	21.81	267.60	9612	0.13	973	3.64	

Note: Motor temperature is motor surface temperature @100% throttle running 3mins.
(Date above based on benchtest are for reference only, comparion with that of other motor types is not recommended.)

Type	Propeller	Throttle	Voltage (V)	Current (A)	Power (W)	RPM	Torque (N*m)	Thrust (g)	Efficiency (g/W)	Operating Temperature (°C)
AM40 V2 KV1880	Polymer Carbon 8044	40%	8.37	1.84	15.40	4849	0.02	138	8.98	54
		50%	8.35	3.38	28.20	6019	0.03	224	7.95	
		60%	8.32	5.45	45.40	7037	0.04	316	6.97	
		70%	8.28	7.94	65.70	7940	0.05	410	6.23	
		80%	8.24	10.93	90.00	8743	0.06	509	5.66	
		90%	8.18	14.51	118.70	9495	0.08	612	5.16	
		100%	8.13	18.16	147.60	10121	0.09	702	4.76	
	Polymer Carbon 9048	40%	12.55	3.71	46.60	6959	0.04	319	6.86	70
		50%	12.51	6.45	80.70	8294	0.06	465	5.76	
		60%	12.46	9.95	124.00	9448	0.08	613	4.94	
		70%	12.40	14.06	174.30	10453	0.10	762	4.37	
		80%	12.32	19.11	235.50	11315	0.12	905	3.84	
		90%	12.23	24.80	303.40	11932	0.13	1016	3.35	
		100%	12.14	30.93	375.60	12344	0.14	1090	2.90	

Note: Motor temperature is motor surface temperature @100% throttle running 3mins.
(Date above based on benchtest are for reference only, comparion with that of other motor types is not recommended.)

Type	Propeller	Throttle	Voltage (V)	Current (A)	Power (W)	RPM	Torque (N*m)	Thrust (g)	Efficiency (g/W)	Operating Temperature (°C)
AM40 V2 KV1880	Polymer Carbon 9048	40%	8.36	2.42	20.20	4463	0.02	193	9.55	58
		50%	8.33	4.47	37.30	5518	0.04	297	7.98	
		60%	8.29	7.16	59.40	6409	0.05	407	6.86	
		70%	8.25	10.30	84.90	7164	0.07	516	6.08	
		80%	8.19	14.00	114.70	7813	0.08	616	5.37	
		90%	8.13	18.32	148.90	8382	0.10	730	4.90	
		100%	8.06	22.99	185.20	8842	0.11	812	4.39	
	Polymer Carbon 8048	40%	12.53	4.79	59.90	6331	0.05	386	6.43	101
		50%	12.47	8.75	109.10	7356	0.07	544	4.99	
		60%	12.41	12.73	157.90	8266	0.09	698	4.42	
		70%	12.34	17.42	215.00	9073	0.11	849	3.95	
		80%	12.26	22.89	280.50	9614	0.13	965	3.44	
		90%	12.17	28.81	350.60	10026	0.14	1054	3.01	
		100%	12.08	34.89	421.30	10251	0.15	1109	2.63	

Note: Motor temperature is motor surface temperature @100% throttle running 3mins.
(Date above based on benchtest are for reference only, comparion with that of other motor types is not recommended.)

Contents



Motor*1



Parts Bag*1