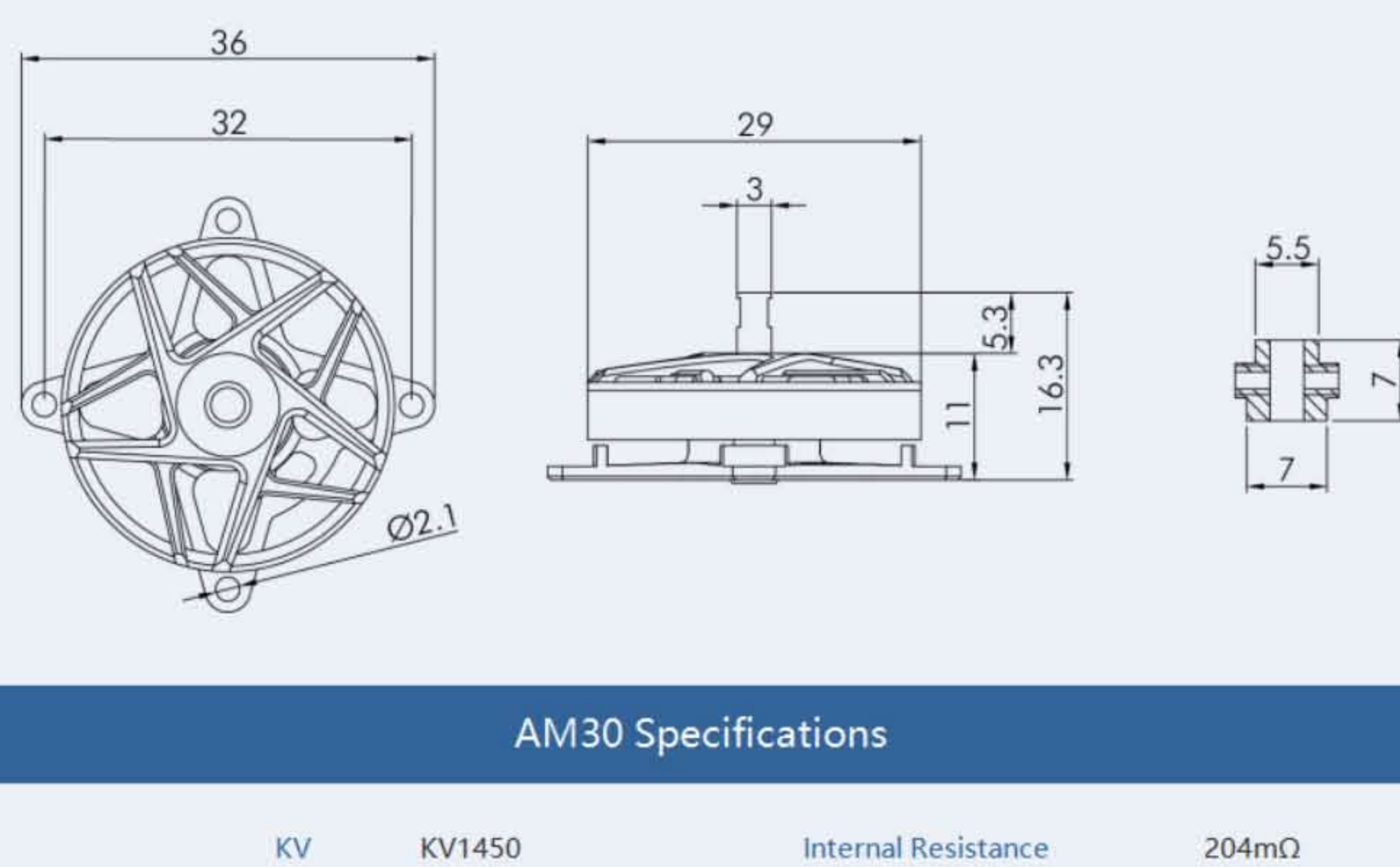


# AM30 Product Drawing



## AM30 Specifications

KV	KV1450	Internal Resistance	204mΩ
Weight (Incl.Cable)	18.6g	Idle Current(10V)	0.8A
Lead	40mm	Rated Voltage(Lipo)	2-3s
Configuration	12N14P	Peak Current(60s)	13.7A
Max. Power(180s)	172W		

KV	KV1750	Internal Resistance	147mΩ
Weight (Incl.Cable)	18.6g	Idle Current(10V)	1A
Lead	40mm	Rated Voltage(Lipo)	2-3s
Configuration	12N14P	Peak Current(60s)	14.5A
Max. Power(180s)	182W		

KV	KV2280	Internal Resistance	88mΩ
Weight (Incl.Cable)	18.6g	Idle Current(10V)	1.2A
Lead	40mm	Rated Voltage(Lipo)	2-3s
Configuration	12N14P	Peak Current(60s)	15.9A
Max. Power(180s)	200W		

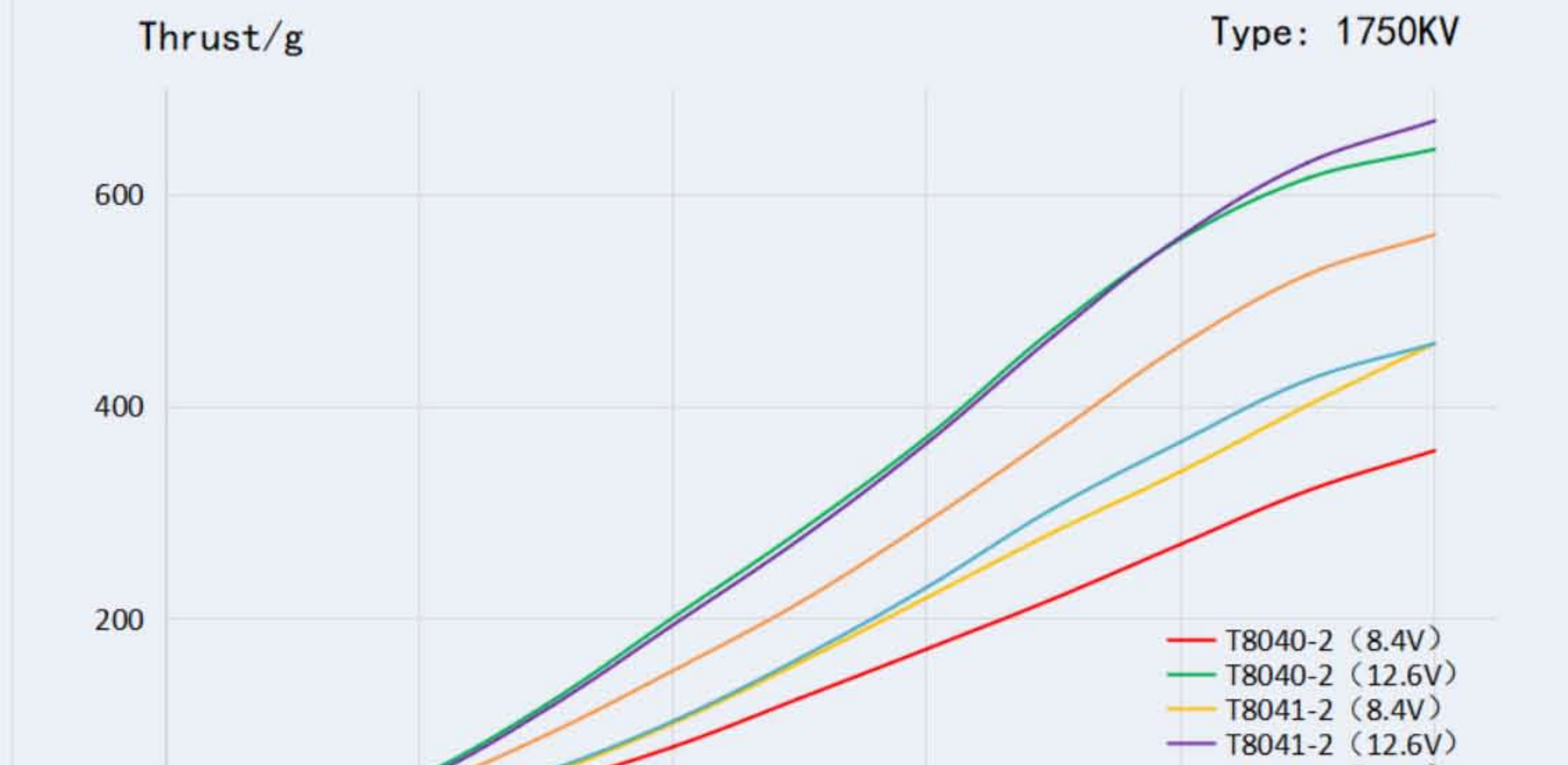
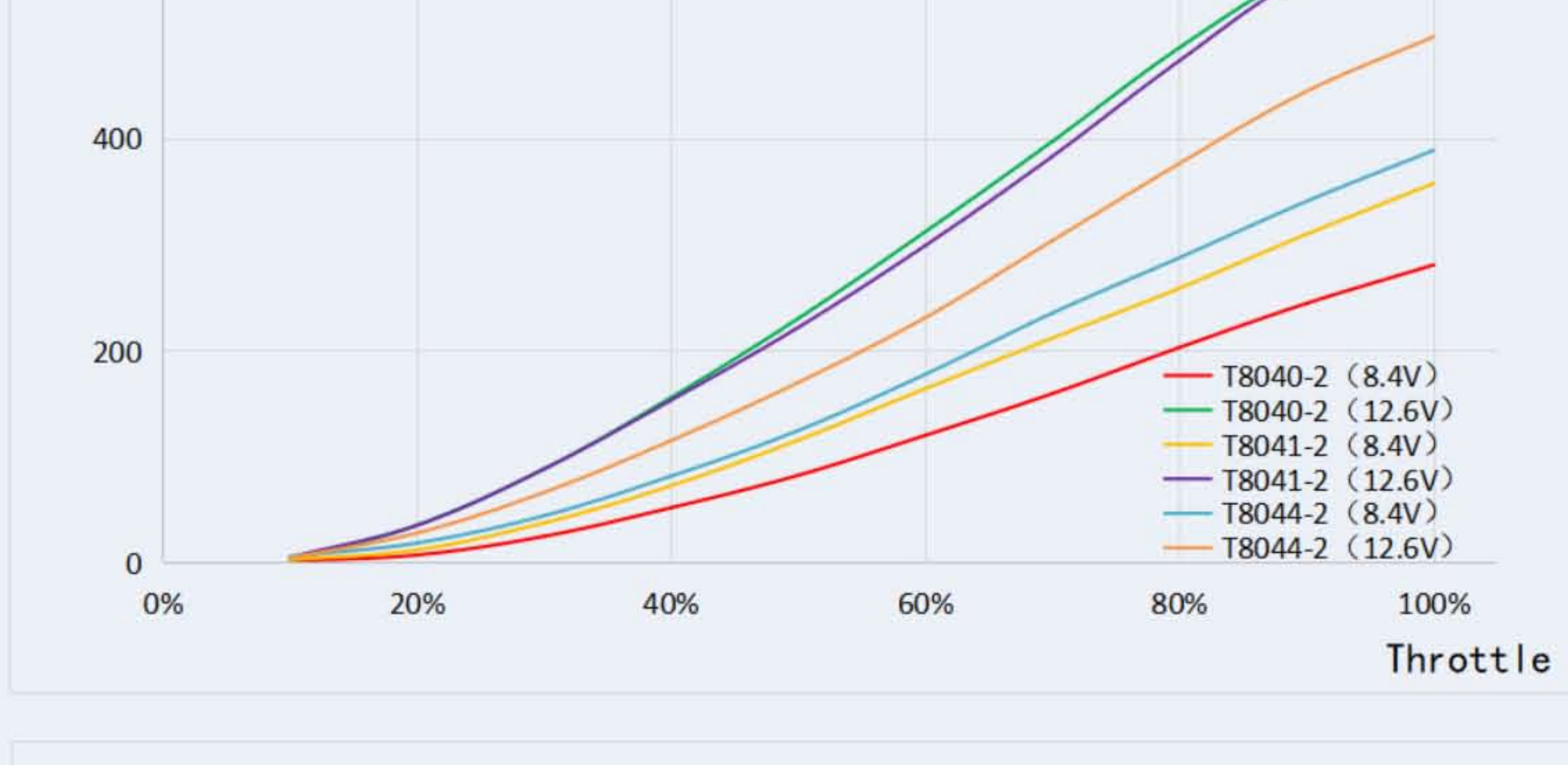
## AM30 Test Report

Propeller	Type	Throttle	Voltage (V)	Current (A)	Power (W)	RPM	Thrust (g)	Efficiency (g/W)	Operating Temperature	
T-MOTOR T8040 Carbon Fibre4D	AM30 1450KV	10%	8.4	0.1	0.51	340	1.2	2.4		
		20%	8.4	0.1	1.18	1739	6.8	5.8		
		30%	8.4	0.3	2.79	2751	24.5	8.8		
		40%	8.4	0.7	5.89	3779	51.5	8.8		
		50%	8.4	1.2	10.34	4719	82.2	7.9		
		60%	8.4	2.0	16.71	5646	120.0	7.2		
		70%	8.4	2.9	24.29	6429	159.4	6.6		
		80%	8.4	4.0	33.53	7172	203.0	6.1		
		90%	8.4	5.3	44.13	7841	244.6	5.5		
		100%	8.4	6.5	54.75	8360	281.0	5.1		
	AM30 1750KV	10%	12.6	0.2	1.86	613	1.4	0.8		
		20%	12.6	0.3	3.14	2587	35.0	11.1		
		30%	12.6	0.7	8.71	3946	88.1	10.1		
		40%	12.6	1.5	18.32	5115	155.8	8.5		
		50%	12.6	2.6	32.28	6113	230.4	7.1		
		60%	12.6	4.1	51.07	7010	312.4	6.1		
		70%	12.6	5.9	73.96	7817	397.8	5.4		
		80%	12.5	8.3	103.34	8569	486.4	4.7		
		90%	12.5	10.9	136.42	9154	560.7	4.1		
		100%	12.5	13.4	167.02	9526	609.4	3.6		
		AM30 1750KV	10%	8.4	0.1	0.62	506	0.8	1.3	
			20%	8.4	0.2	1.69	2085	16.3	9.6	
			30%	8.4	0.5	4.27	3269	41.9	9.8	
			40%	8.4	1.1	9.03	4444	78.4	8.7	
			50%	8.4	2.0	16.59	5573	124.3	7.5	
			60%	8.4	3.1	26.12	6549	171.0	6.5	
			70%	8.4	4.5	37.93	7404	218.5	5.8	
			80%	8.4	6.2	52.13	8184	269.8	5.2	
			90%	8.4	8.2	68.73	8872	320.4	4.7	
			100%	8.4	10.1	84.9	9355	358.2	4.2	

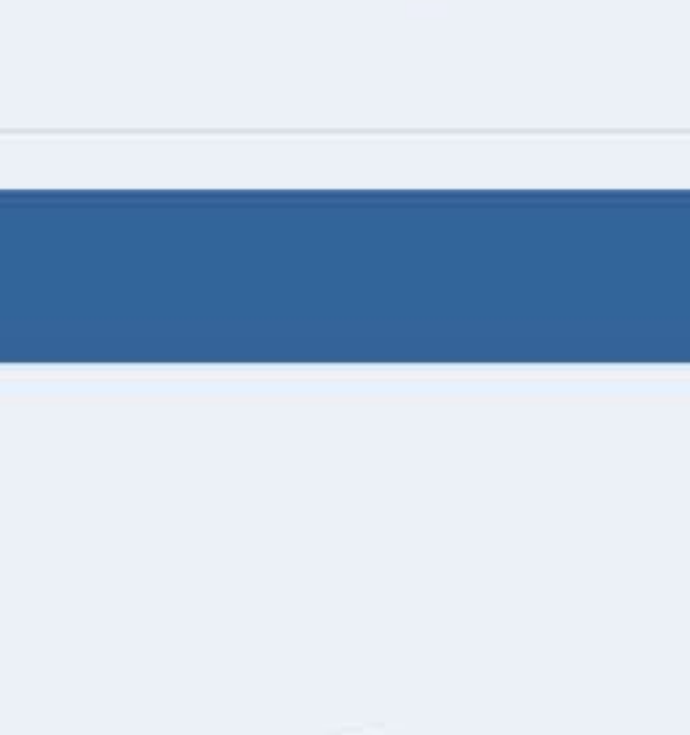
Propeller	Type	Throttle	Voltage (V)	Current (A)	Power (W)	RPM	Thrust (g)	Efficiency (g/W)	Operating Temperature	
T-MOTOR T8041 Carbon Fibre3D	AM30 1450KV	10%	8.4	0.1	0.55	301	2.3	4.2		
		20%	8.4	0.1	1.19	1657	11.7	9.8		
		30%	8.4	0.4	3.09	2693	37.2	12.0		
		40%	8.4	0.8	6.52	3707	72.3	11.1		
		50%	8.4	1.4	11.51	4607	115.4	10.0		
		60%	8.4	2.2	18.69	5475	164.1	8.8		
		70%	8.4	3.2	27.05	6229	211.8	7.8		
		80%	8.4	4.3	36.45	6893	259.0	7.1		
		90%	8.4	5.7	47.59	7524	310.1	6.5		
		100%	8.4	7.1	59.47	8043	358.1	6.0		
	AM30 1750KV	10%	12.6	0.1	1.06	884	4.6	4.3		
		20%	12.6	0.3	3.13	2590	34.9	11.2		
		30%	12.6	0.7	8.46	3980	88.2	10.4		
		40%	12.6	1.4	17.29	5236	153.2	8.9		
		50%	12.6	2.4	29.79	6333	222.0	7.5		
		60%	12.6	3.7	46.4	7302	299.4	6.5		
		70%	12.6	5.4	67.44	8275	383.6	5.7		
		80%	12.5	7.5	93.95	9145	474.1	5.0		
		90%	12.5	9.9	124.43	9894	555.8	4.5		
		100%	12.5	12.5	156.04	10318	601.7	3.9		
		AM30 1750KV	10%	8.4	0.1	0.63	434	1.1	1.8	
			20%	8.4	0.2	1.71	1948	19.0	11.1	
			30%	8.4	0.6	4.66	3183	52.2	11.2	
			40%	8.4	1.2	9.99	4297	100.6	10.1	
			50%	8.4	2.1	17.89	5361	158.2	8.8	
			60%	8.4	3.4	28.46	6279	219.5	7.7	
			70%	8.4	4.9	40.89	7086	281.3	6.9	
			80%	8.4	6.5	54.78	7782	338.5	6.2	
			90%	8.4	8.6	71.58	8422	401.1	5.6	
			100%	8.4	10.8	90.92	9003	459.7	5.1	

Propeller	Type	Throttle	Voltage (V)	Current (A)	Power (W)	RPM	Thrust (g)	Efficiency (g/W)	Operating Temperature	
T-MOTOR T8044 3D	AM30 1450KV	10%	8.4	0.1	0.69	150	5.5	8.0		
		20%	8.4	0.1	1.22	1596	18.2	14.9		
		30%	8.4	0.4	3.17	2671	44.0	13.9		
		40%	8.4	0.8	6.7	3661	81.4	12.2		
		50%	8.4	1.4	11.88	4489	124.5	10.5		
		60%	8.4	2.3	19.39	5305	177.7	9.2		
		70%	8.4	3.4	28.81	6023	235.5	8.2		
		80%	8.4	4.7	39.4	6617	287.9	7.3		
		90%	8.4	6.2	51.82	7167	341.1	6.6		
		100%	8.4	7.8	64.91	7635	389.4	6.0		
	AM30 1750KV	10%	12.6	0.1	0.98	1000	4.1	4.2		
		20%	12.6	0.2	2.78	2656	27.6	9.9		
		30%	12.6	0.6	7.58	4075	66.1	8.7		
		40%	12.6	1.2	15.69	5381	115.1	7.3		
		50%	12.6	2.2	27.15	6490	169.9	6.3		
		60%	12.6	3.4	42.52	7536	231.2	5.4		
		70%	12.6	5.0	62.69	8590	304.0	4.8		
		80%	12.6	7.0	87.44	9521	377.0	4.3		
		90%	12.5	9.2	115.7	10316	445.1	3.8		
		100%	12.5	11.6	144.91	10878	496.7	3.4		
		AM30 1750KV	10%	8.5	0.1	1.21	1184	1.0	0.8	
			20%	8.5	0.2	1.83	1928	18.2	10.0	
			30%	8.5	0.6	4.95	3154	54.8	11.1	
			40%	8.5	1.3	10.56	4248	102.7	9.7	
			50%	8.5	2.3	19.39	5218	162.2	8.4	
			60%	8.4	3.7	31.05	6075	229.2	7.4	
			70%	8.4	5.3	44.57	6771	304.0	6.8	
			80%	8.4	7.2	60.49	7386	366.6	6.1	
			90%	8.4	9.4	78.93	7913	425.0	5.4	
			100%	8.4	11.7	97.83	8341	459.6	4.7	

## AM30 Testing graph



## AM30 Contents



Motor\*1



Parts Bag\*1