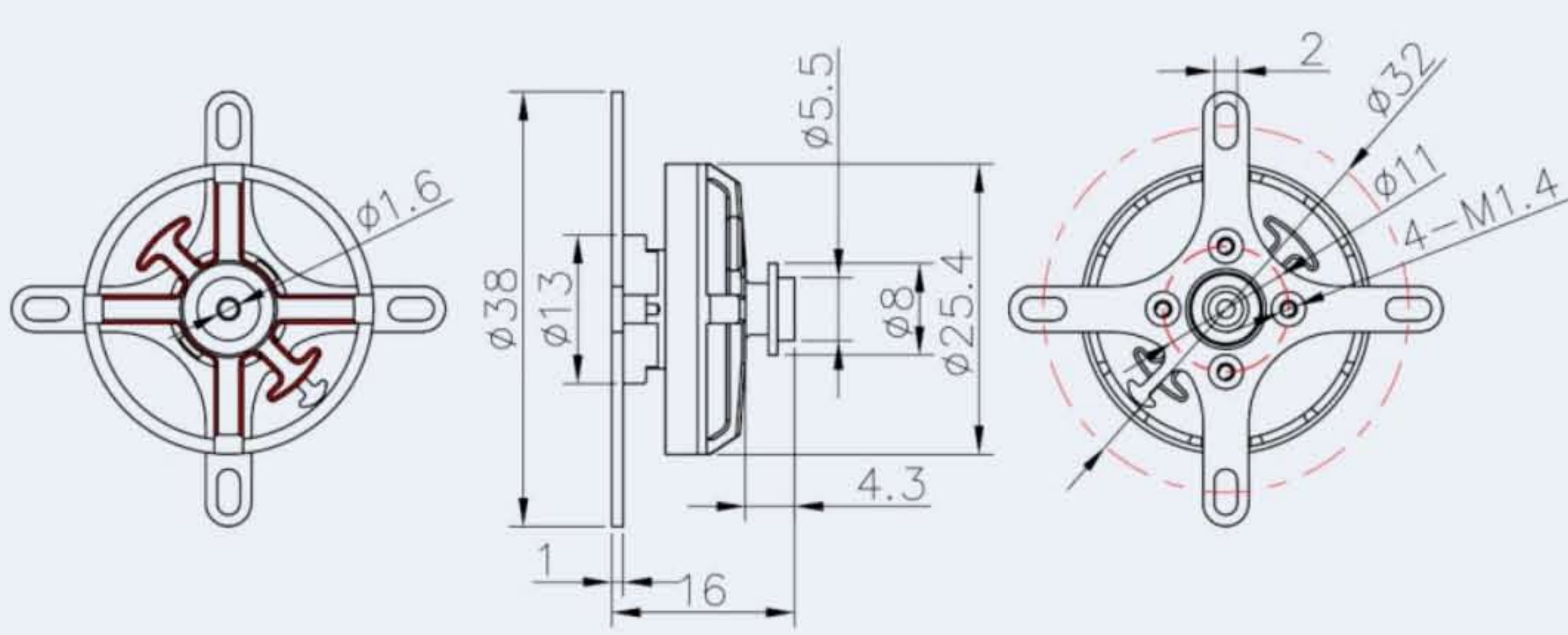


## Product Drawing



## Specifications

Test Item	KV1500	Weight (Incl. Cable)	10.1g
Motor Dimensions	Φ25.4*15mm	Internal Resistance	630mΩ
Lead	40mm	Configuration	12N14P
Shaft Diameter	IN: 3mm	Rated Voltage(Lipo)	1-2S
Idle Current(10V)	0.14A	Peak Current(180s)	6A
Max. Power(180s)	67.2W		

Test Item	KV1900	Weight (Incl. Cable)	10.1g
Motor Dimensions	Φ25.4*15mm	Internal Resistance	455mΩ
Lead	40mm	Configuration	12N14P
Shaft Diameter	IN: 3mm	Rated Voltage(Lipo)	1S
Idle Current(10V)	0.25A	Peak Current(180s)	6A
Max. Power(180s)	67.2W		

## Test Report

Type	Propeller	Throttle	Voltage (V)	Current (A)	Power (W)	RPM	Torque (N*m)	Thrust (g)	Efficiency (g/W)	Operating Temperature (°C)
T-MOTOR AM20 1500KV	AP T10*3.1	20%	8.43	0.13	1.08	1173	0.000	17	15.69	30 (Ambient Temperature:/)
		25%	8.43	0.22	1.84	1496	-0.010	26	14.43	
		30%	8.43	0.34	2.85	1772	-0.010	40	13.90	
		35%	8.43	0.49	4.13	2021	-0.010	52	12.60	
		40%	8.42	0.67	5.68	2237	-0.010	65	11.36	
		45%	8.42	0.91	7.65	2449	-0.010	78	10.19	
		50%	8.42	1.28	10.80	2585	-0.010	86	7.97	
		55%	8.41	1.38	11.64	2842	-0.020	102	8.73	
		60%	8.41	1.67	14.08	3006	-0.020	116	8.25	
		65%	8.40	1.99	16.70	3191	-0.020	126	7.55	
		70%	8.40	2.34	19.63	3299	-0.020	138	7.04	
		75%	8.40	2.68	22.49	3438	-0.020	150	6.69	
		80%	8.40	3.03	25.48	3548	-0.020	159	6.24	
		85%	8.39	3.39	28.44	3603	-0.030	164	5.78	
		90%	8.39	3.75	31.42	3723	-0.030	175	5.57	
95%	8.38	4.15	34.76	3804	-0.030	180	5.19			
100%	8.38	4.50	37.73	3896	-0.030	182	4.82			

Note: Motor temperature is motor surface temperature @100% throttle running 3mins.  
(Date above based on benchtest are for reference only, comparion with that of other motor types is not recommended.)

Type	Propeller	Throttle	Voltage (V)	Current (A)	Power (W)	RPM	Torque (N*m)	Thrust (g)	Efficiency (g/W)	Operating Temperature (°C)
T-MOTOR AM20 1900KV	AP T10*3.1	20%	8.43	0.19	1.63	1344	0.000	22	13.51	30 (Ambient Temperature:/)
		25%	8.43	0.34	2.89	1693	-0.010	35	12.22	
		30%	8.42	0.54	4.57	1991	-0.010	49	10.78	
		35%	8.42	0.84	7.06	2206	-0.010	60	8.51	
		40%	8.42	1.16	9.78	2439	-0.010	73	7.44	
		45%	8.41	1.39	11.71	2707	-0.010	89	7.63	
		50%	8.40	2.21	18.59	2562	-0.010	77	4.15	
		55%	8.41	2.18	18.33	3035	-0.020	107	5.83	
		60%	8.40	2.54	21.36	3280	-0.020	124	5.79	
		65%	8.40	3.01	25.29	3412	-0.020	135	5.36	
		70%	8.40	3.52	29.52	3514	-0.020	148	5.02	
		75%	8.39	3.98	33.43	3617	-0.020	155	4.64	
		80%	8.38	4.49	37.66	3700	-0.030	163	4.32	
		85%	8.38	4.99	41.78	3799	-0.030	171	4.08	
		90%	8.37	5.50	46.07	3860	-0.030	178	3.86	
95%	8.37	6.01	50.32	3930	-0.030	183	3.64			
100%	8.36	6.50	54.34	4022	-0.030	185	3.41			

Note: Motor temperature is motor surface temperature @100% throttle running 3mins.  
(Date above based on benchtest are for reference only, comparion with that of other motor types is not recommended.)

Type	Propeller	Throttle	Voltage (V)	Current (A)	Power (W)	RPM	Torque (N*m)	Thrust (g)	Efficiency (g/W)	Operating Temperature (°C)
T-MOTOR AM20 1900KV	AP T10*3.1	20%	4.22	0.03	0.12	527	0.000	3	29.61	30 (Ambient Temperature:/)
		25%	4.22	0.08	0.32	784	0.000	7	20.68	
		30%	4.22	0.14	0.61	1020	0.000	12	19.26	
		35%	4.22	0.24	1.02	1235	0.000	18	17.59	
		40%	4.22	0.35	1.49	1433	0.000	24	16.28	
		45%	4.22	0.50	2.10	1601	-0.010	32	15.18	
		50%	4.21	0.66	2.78	1756	-0.010	40	14.24	
		55%	4.21	0.86	3.63	1914	-0.010	47	12.84	
		60%	4.21	1.07	4.49	2071	-0.010	53	11.83	
		65%	4.20	1.29	5.44	2210	-0.010	61	11.23	
		70%	4.20	1.54	6.48	2353	-0.010	68	10.43	
		75%	4.20	1.82	7.62	2479	-0.010	75	9.87	
		80%	4.19	2.11	8.83	2591	-0.010	81	9.22	
		85%	4.19	2.41	10.09	2703	-0.010	88	8.70	
		90%	4.19	2.73	11.42	2800	-0.020	95	8.35	
95%	4.18	3.07	12.86	2884	-0.020	102	7.93			
100%	4.18	3.41	14.25	2983	-0.020	107	7.49			

Note: Motor temperature is motor surface temperature @100% throttle running 3mins.  
(Date above based on benchtest are for reference only, comparion with that of other motor types is not recommended.)

## Contents



Motor × 1



Parts Bag × 1