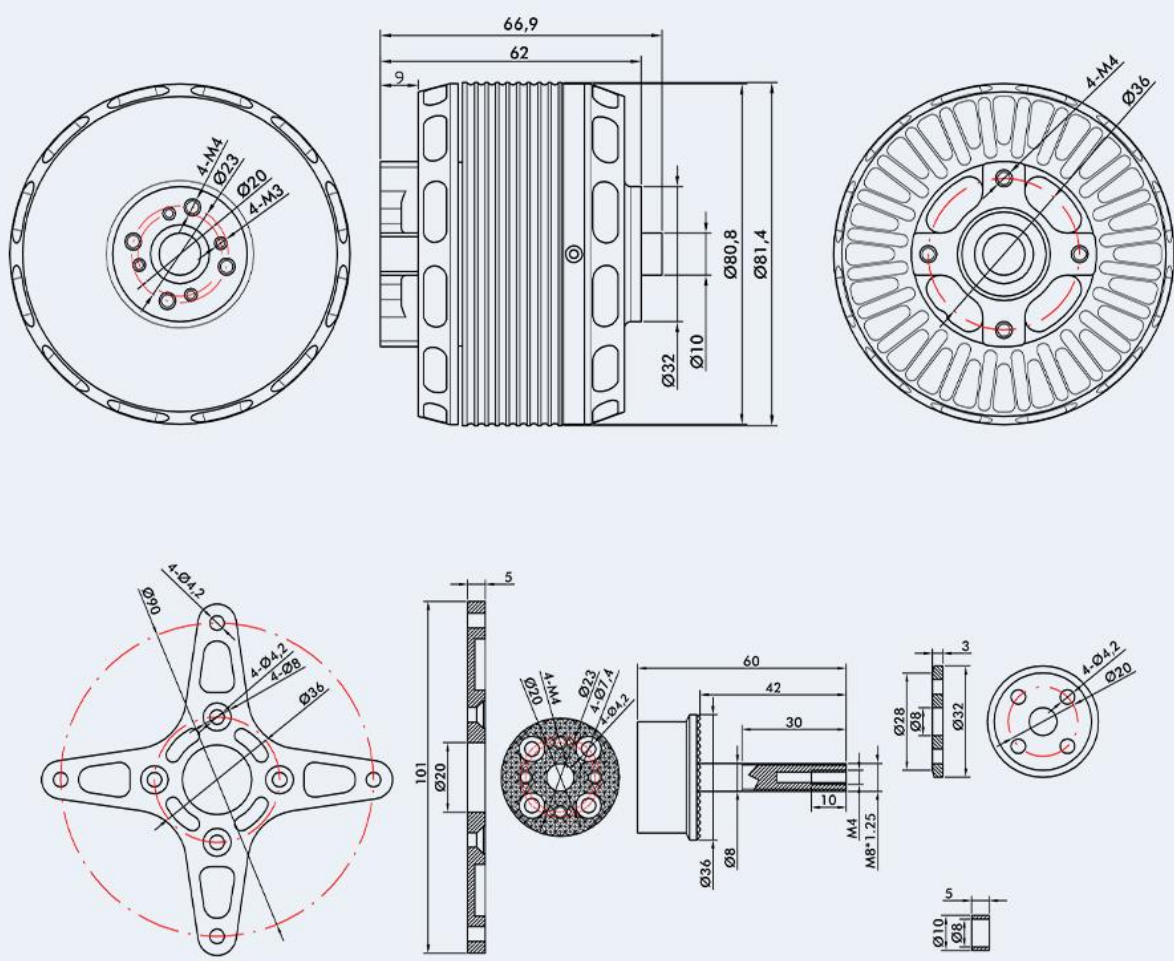


Product Drawing



Specifications

Test Item	Long Shaft KV190	Weight (Incl. Cable)	780g
Motor Dimensions	Ø81.4*66.9mm	Internal Resistance	16mΩ
Lead	Enameled Wire 100mm	Configuration	24N22P
Shaft Diameter	IN : 10mm OUT : 10mm	Rated Voltage(Lipo)	10-12S
Idle Current(10V)	3.5A	Peak Current(180s)	135A
Max. Power(180s)	6000W/12S		

Test Report

Continued below

Type	Propeller	Throttle	Voltage (V)	Current (A)	Power (W)	RPM	Torque (N*m)	Thrust (g)	Efficiency (g/W)	Operating Temperature (°C)
AT7224 KV190	21*10	40%	36.90	7.54	278.41	3162	0.645	2148	7.72	87 (Ambient Temperature:/)
		45%	36.84	10.48	386.22	3575	0.828	2772	7.18	
		50%	36.75	14.53	534.06	3986	1.011	3459	6.48	
		55%	36.67	18.01	660.49	4354	1.183	4099	6.21	
		60%	36.61	21.71	794.80	4680	1.356	4739	5.96	
		65%	36.49	27.03	986.48	5052	1.589	5528	5.60	
		70%	36.30	35.99	1306.15	5516	1.924	6586	5.04	
		75%	36.16	42.40	1533.50	5847	2.190	7429	4.84	
		80%	36.00	50.29	1810.43	6169	2.461	8348	4.61	
		90%	35.61	68.35	2433.99	6769	2.996	10188	4.19	
		100%	35.54	71.61	2544.87	6852	3.101	10555	4.15	
	21*10	40%	41.90	8.73	365.80	3530	0.711	2643	7.22	/
		45%	41.82	12.20	510.38	3997	0.911	3354	6.57	
		50%	41.72	16.67	695.60	4452	1.154	4235	6.09	
		55%	41.61	21.62	899.70	4853	1.406	5109	5.68	
		60%	41.52	26.05	1081.48	5215	1.641	5859	5.42	
		65%	41.33	35.26	1457.21	5744	2.026	7152	4.91	
		70%	41.16	43.60	1794.42	6157	2.357	8283	4.62	
		75%	40.97	52.10	2134.43	6509	2.665	9323	4.37	
		80%	40.79	61.22	2497.16	6850	2.990	10416	4.17	
		90%	40.29	83.86	3379.02	7512	3.645	12569	3.72	
		100%	40.19	87.85	3530.50	7609	3.760	12867	3.64	
	21*10	40%	44.31	7.87	348.64	3468	0.663	2471	7.09	91 (Ambient Temperature:/)
		45%	44.25	10.41	460.69	3856	0.838	3097	6.72	
		50%	44.16	14.21	627.64	4306	1.061	3912	6.23	
		55%	44.07	19.02	838.29	4752	1.323	4841	5.78	
		60%	43.96	23.43	1030.26	5125	1.566	5591	5.43	
		65%	43.83	30.49	1336.32	5598	1.908	6693	5.01	
		70%	43.69	37.74	1648.70	6001	2.234	7782	4.72	
		75%	43.48	46.51	2022.36	6404	2.554	8891	4.40	
		80%	43.31	54.84	2375.19	6735	2.873	10010	4.21	
		90%	42.88	75.03	3217.30	7394	3.541	12207	3.79	
		100%	42.36	98.83	4186.79	7955	4.289	13963	3.34	
	21*10	40%	47.88	9.19	440.10	3640	0.754	2859	6.50	/
		45%	47.82	11.89	568.49	4125	0.990	3679	6.47	
		50%	47.71	16.23	774.27	4589	1.248	4603	5.95	
		55%	47.60	21.80	1037.74	5066	1.558	5610	5.41	
		60%	47.45	29.01	1376.61	5590	1.949	6838	4.97	
		65%	47.34	34.84	1649.31	5971	2.258	7833	4.75	
		70%	47.14	43.71	2060.80	6393	2.626	9113	4.42	
		75%	46.94	54.00	2534.39	6817	3.026	10466	4.13	
		80%	46.73	63.47	2965.88	7162	3.379	11639	3.92	
90%		46.20	88.09	4070.15	7842	4.194	14145	3.48		
100%		45.56	117.22	5340.63	8385	5.185	15565	2.91		
22*10	40%	36.89	7.12	262.47	2891	0.635	2152	8.20	80 (Ambient Temperature:/)	
	45%	36.84	9.36	344.93	3224	0.843	2716	7.87		
	50%	36.75	13.32	489.32	3606	1.037	3407	6.97		
	55%	36.64	17.79	651.65	4000	1.284	4226	6.49		
	60%	36.59	21.10	771.85	4319	1.491	4908	6.36		
	65%	36.49	25.61	934.40	4614	1.683	5602	6.00		
	70%	36.35	31.71	1152.89	4949	1.954	6519	5.66		
	75%	36.20	39.56	1431.89	5309	2.298	7567	5.29		
	80%	36.01	48.45	1745.00	5657	2.622	8565	4.91		
	90%	35.64	66.13	2356.93	6223	3.224	10521	4.46		
	100%	35.23	85.35	3006.64	6702	3.778	12378	4.12		
22*10	40%	41.81	8.47	354.23	3231	0.788	2744	7.75	/	
	45%	41.75	11.33	472.81	3589	0.951	3362	7.11		
	50%	41.65	15.70	653.86	4035	1.218	4257	6.51		
	55%	41.54	20.70	859.97	4444	1.487	5193	6.04		
	60%	41.43	25.66	1062.94	4798	1.764	6059	5.70		
	65%	41.34	30.44	1258.42	5120	2.033	6867	5.46		

		70%	41.12	41.15	1692.37	5612	2.484	8345	4.93	
		75%	40.93	50.13	2051.85	5971	2.847	9473	4.62	
		80%	40.75	58.56	2386.68	6288	3.140	10413	4.36	
		90%	40.28	80.81	3254.88	6882	3.872	12908	3.97	
		100%	39.75	105.26	4184.19	7394	4.565	15224	3.64	
	22*10	40%	44.29	9.27	410.71	3402	0.862	3022	7.36	88 (Ambient Temperature:/)
		45%	44.22	12.29	543.49	3784	1.055	3724	6.85	
		50%	44.13	16.71	737.30	4233	1.343	4675	6.34	
		55%	44.02	22.21	977.58	4671	1.653	5705	5.84	
		60%	43.90	27.56	1210.00	5034	1.953	6611	5.46	
		65%	43.71	36.66	1602.21	5502	2.359	7925	4.95	
		70%	43.55	44.55	1940.16	5887	2.742	9124	4.70	
		75%	43.31	55.26	2393.45	6272	3.132	10390	4.34	
		80%	43.12	64.75	2792.01	6589	3.485	11599	4.15	
		90%	42.59	89.21	3799.33	7197	4.262	14221	3.74	
		100%	42.01	115.89	4868.09	7725	5.011	16542	3.40	
	22*10	40%	47.80	10.41	497.53	3584	0.918	3320	6.67	/
		45%	47.73	13.56	647.38	4049	1.209	4266	6.59	
		50%	47.62	18.41	876.76	4508	1.517	5304	6.05	
		55%	47.49	25.17	1195.14	4973	1.910	6518	5.45	
		60%	47.30	34.04	1609.78	5490	2.351	7904	4.91	
		65%	47.15	41.12	1938.57	5855	2.724	9064	4.68	
		70%	46.94	51.11	2399.23	6269	3.153	10453	4.36	
		75%	46.71	62.32	2910.67	6669	3.585	11916	4.09	
		80%	46.47	73.37	3408.99	6999	3.979	13203	3.87	
		90%	45.85	101.59	4658.39	7622	4.864	16113	3.46	
		100%	45.14	133.15	6010.33	8139	5.893	17722	2.95	

Note: Motor temperature is motor surface temperature @100% throttle running 3mins.
(Date above based on benchtest are for reference only, comparison with that of other motor types is not recommended.)

Contents



Motor x 1



Parts Bag x 1

Please check that your package contains all the above items before use, If something is missing, please contact online customer service or leave message to onlinesales@tmotor.com