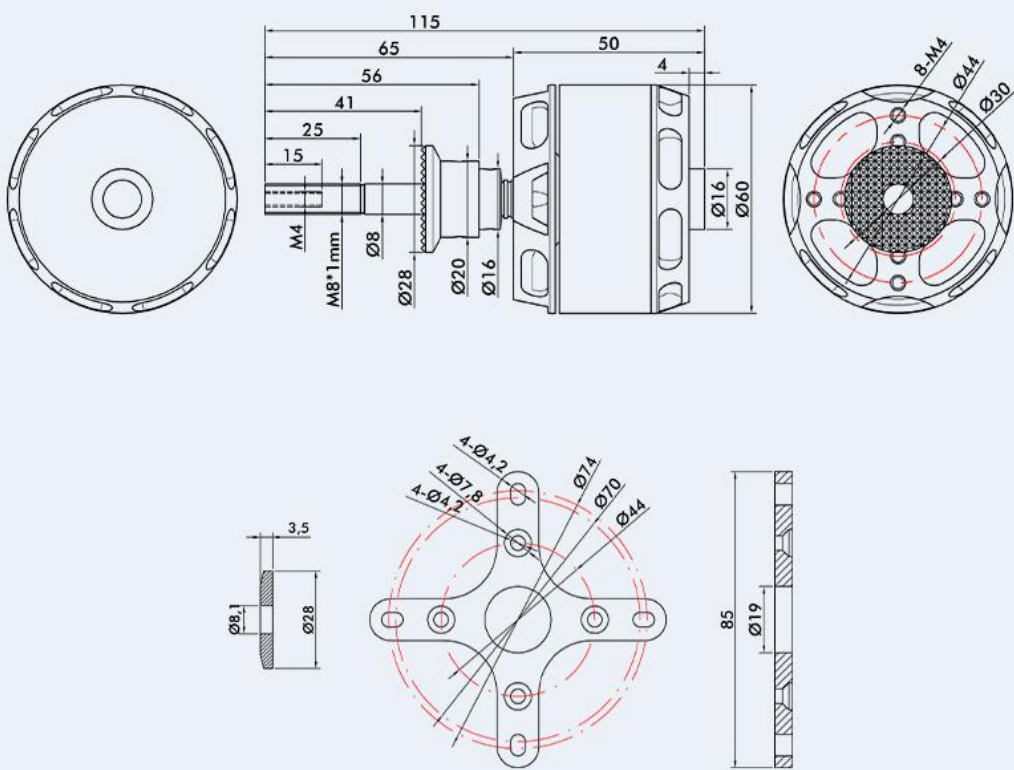


T-Motor AT5220 20-25cc

Product Drawing



Specifications

Test Item	Long Shaft KV220	Weight (Incl. Cable)	450g
Motor Dimensions	Φ60*115mm	Internal Resistance	36mΩ
Lead	Enameled Wire 100mm	Configuration	24N28P
Shaft Diameter	IN : 10mm OUT : 8mm	Rated Voltage(Lipo)	6-12S
Idle Current(10V)	1.8A	Peak Current(180s)	70A
Max. Power(180s)	2700W	Recommendation	/
Test Item	Long Shaft KV380	Weight (Incl. Cable)	465g
Motor Dimensions	Φ60*115mm	Internal Resistance	11mΩ
Lead	Enameled Wire 100mm	Configuration	24N28P
Shaft Diameter	IN : 10mm OUT : 8mm	Rated Voltage(Lipo)	6S
Idle Current(10V)	4.0A	Peak Current(180s)	100A
Max. Power(180s)	2200W	Recommendation	/

Test Report

Type	Propeller	Throttle	Voltage (V)	Current (A)	Power (W)	RPM	Torque (N*m)	Thrust (g)	Efficiency (g/W)	Operating Temperature (°C)
AT5220-B Long Shaft KV220	APC 18*8	40%	44.30	4.27	189.20	3585	0.383	1469	7.77	81 (Ambient Temperature:/)
		45%	44.27	5.57	246.66	3980	0.460	1818	7.37	
		50%	44.20	8.59	379.74	4592	0.600	2446	6.44	
		55%	44.13	11.17	492.86	5055	0.745	3009	6.11	
		60%	44.08	13.86	611.06	5473	0.857	3502	5.73	
		65%	44.01	16.93	611.06	5839	0.991	4080	5.48	
		70%	43.93	20.49	900.27	6232	1.131	4668	5.19	
		75%	43.84	24.92	1092.62	6656	1.326	5323	4.87	
		80%	43.75	29.00	1092.62	6969	1.466	5924	4.67	
		90%	43.54	38.65	1682.85	7614	1.757	7142	4.24	
	100%	43.33	48.86	2116.80	8141	2.037	8185	3.87		
	FALCON 18*10	40%	44.30	4.71	208.48	3526	0.435	1529	7.33	95 (Ambient Temperature:/)
		45%	44.26	6.17	272.92	3909	0.530	1899	6.96	
		50%	44.18	9.60	424.00	4500	0.697	2555	6.03	
		55%	44.13	12.30	542.84	4957	0.871	3100	5.71	
		60%	44.06	15.45	680.69	5393	1.055	3670	5.39	
		65%	43.98	18.85	829.10	5756	1.185	4218	5.09	
		70%	43.91	22.54	989.79	6131	1.328	4818	4.87	
		75%	43.79	27.63	1210.20	6541	1.486	5470	4.52	
		80%	43.69	32.51	1420.65	6817	1.634	5725	4.03	
90%		43.46	43.51	1891.09	7420	2.049	6819	3.61		
100%	43.22	54.71	2364.75	7936	2.354	7806	3.30			
		40%	44.27	5.10	225.98	3480	0.482	1730	7.66	
		45%	44.24	6.73	297.83	3853	0.578	2172	7.29	
		50%	44.15	10.39	458.61	4423	0.779	2894	6.31	
		55%	44.07	13.85	610.43	4895	0.929	3525	5.78	

Continued below

FALCON 19*10	60%	43.99	17.53	771.33	5314	1.099	4220	5.47	106 (Ambient Temperature:/)
	65%	43.92	21.04	924.14	5651	1.240	4817	5.21	
	70%	43.82	25.78	1129.54	6007	1.422	5554	4.92	
	75%	43.71	30.89	1350.43	6387	1.585	6236	4.62	
	80%	43.61	35.84	1562.82	6691	1.790	6884	4.41	
	90%	43.37	47.17	2045.77	7289	2.132	8240	4.03	
	100%	43.11	59.53	2566.74	7781	2.468	9499	3.70	

Note: Motor temperature is motor surface temperature @100% throttle running 3mins.
(Date above based on benchtest are for reference only, comparion with that of other motor types is not recommended.)

Type	Propeller	Throttle	Voltage (V)	Current (A)	Power (W)	RPM	Torque (N*m)	Thrust (g)	Efficiency (g/W)	Operating Temperature (°C)
AT5220-B Long Shaft KV380	APC 18*8	40%	22.02	8.48	186.80	3491	0.373	1426	7.63	74 (Ambient Temperature:/)
		45%	21.96	11.05	242.62	3867	0.470	1757	7.24	
		50%	21.83	17.22	375.97	4437	0.614	2367	6.29	
		55%	21.74	21.32	463.48	4818	0.724	2787	6.01	
		60%	21.63	26.63	576.14	5238	0.854	3273	5.68	
		65%	21.53	31.43	676.66	5536	0.939	3696	5.46	
		70%	21.41	37.34	799.35	5876	1.054	4117	5.15	
		75%	21.24	44.95	954.74	6211	1.260	4560	4.78	
		80%	21.09	51.43	1084.83	6476	1.518	5000	4.61	
		90%	20.78	66.45	1380.62	7006	1.698	5903	4.28	
	100%	20.43	82.27	1680.38	7422	1.900	6733	4.01		
	FALCON 18*10	40%	22.02	9.29	204.46	3393	0.387	1452	7.10	81 (Ambient Temperature:/)
		45%	21.97	11.85	260.37	3748	0.461	1741	6.69	
		50%	21.87	16.83	368.06	4203	0.587	2215	6.02	
		55%	21.73	23.19	503.81	4676	0.733	2734	5.43	
		60%	21.61	28.99	626.57	5080	0.885	3267	5.21	
		65%	21.50	34.13	733.94	5385	1.024	3687	5.02	
		70%	21.37	40.60	867.53	5700	1.139	4162	4.80	
		75%	21.21	48.06	1019.47	6003	1.259	4651	4.56	
		80%	21.07	54.89	1156.66	6270	1.370	5092	4.40	
		90%	20.70	72.94	1509.93	6723	1.629	5636	3.73	
	100%	20.34	90.14	1833.17	7128	1.853	6328	3.45		
	FALCON 19*10	40%	22.00	10.36	227.99	3370	0.459	1718	7.54	91 (Ambient Temperature:/)
		45%	21.94	13.29	291.53	3739	0.537	2038	6.99	
		50%	21.84	18.44	402.67	4155	0.685	2584	6.42	
		55%	21.67	26.22	568.26	4635	0.842	3168	5.58	
		60%	21.53	33.20	714.61	5031	1.014	3807	5.33	
		65%	21.42	38.67	828.27	5325	1.114	4233	5.11	
		70%	21.28	45.61	970.30	5624	1.226	4684	4.83	
		75%	21.10	54.16	1142.78	5924	1.364	5250	4.59	
80%		20.95	61.71	1292.68	6172	1.479	5697	4.41		
90%		20.58	79.40	1634.41	6640	1.716	6703	4.10		
100%	20.21	96.83	1956.90	7020	1.921	7516	3.84			

Note: Motor temperature is motor surface temperature @100% throttle running 3mins.
(Date above based on benchtest are for reference only, comparion with that of other motor types is not recommended.)

Contents



Motor x 1



Parts Bag x 1

Please check that your package contains all the above items before use, If something is missing, please contact online customer service or leave message to onlinesales@tmotor.com