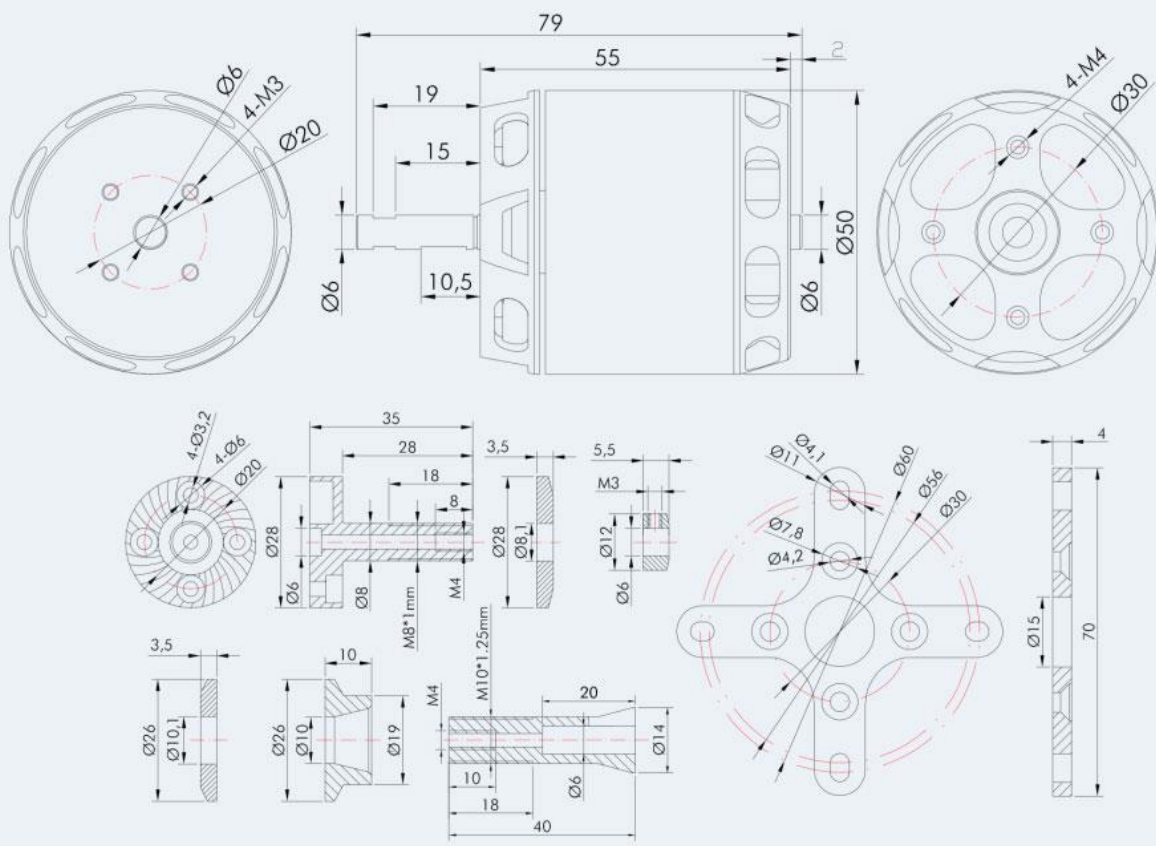


T-Motor AT4130

Product Drawing



Specifications

Test Item	Long Shaft KV230	Weight (Incl. Cable)	408g
Motor Dimensions	Φ50*79mm	Internal Resistance	60mΩ
Lead	Enameled Wire 100mm	Configuration	12N14P
Shaft Diameter	IN: 6mm OUT: 6mm	Rated Voltage(Lipo)	12S
Idle Current(10V)	1.4A	Peak Current(180s)	60A
Max. Power(180s)	2500W	Recommendation	/
Test Item	Long Shaft KV300	Weight (Incl. Cable)	405g
Motor Dimensions	Φ50*79mm	Internal Resistance	32mΩ
Lead	Enameled Wire 100mm	Configuration	12N14P
Shaft Diameter	IN: 6mm OUT: 6mm	Rated Voltage(Lipo)	6-12S
Idle Current(10V)	1.8A	Peak Current(180s)	75A
Max. Power(180s)	3200W	Recommendation	/
Test Item	Long Shaft KV450	Weight (Incl. Cable)	408g
Motor Dimensions	Φ50*79mm	Internal Resistance	16.8mΩ
Lead	Enameled Wire 100mm	Configuration	12N14P
Shaft Diameter	IN: 6mm OUT: 6mm	Rated Voltage(Lipo)	6S
Idle Current(10V)	2.5A	Peak Current(180s)	75A
Max. Power(180s)	1800W	Recommendation	/

Test Report

Type	Propeller	Throttle	Voltage (V)	Current (A)	Power (W)	RPM	Torque (N*m)	Thrust (g)	Efficiency (g/W)	Operating Temperature (°C)
AT4130 Long Shaft KV230	APC 16*8	40%	44.40	2.87	127.58	3701	0.226	1087	8.52	78 (Ambient Temperature:/)
		45%	44.38	3.73	165.46	4105	0.284	1341	8.10	
		50%	44.36	5.18	229.88	4664	0.366	1744	7.59	
		55%	44.34	6.83	302.67	5143	0.450	2139	7.07	
		60%	44.31	8.56	302.67	5546	0.531	2513	6.63	
		65%	44.26	10.59	468.76	5941	0.616	2906	6.20	
		70%	44.22	13.10	579.10	6363	0.719	3366	5.81	
		75%	44.16	16.32	720.88	6827	0.841	3903	5.41	
		80%	44.10	19.63	865.54	7215	0.958	4407	5.09	
		90%	43.96	27.66	1215.78	7875	1.174	5293	4.35	
	100%	43.78	38.25	1674.45	8646	1.521	6395	3.82		
	APC 17*10	40%	44.52	3.84	171.08	3512	0.349	1459	8.53	97 (Ambient Temperature:/)
		45%	44.51	4.81	213.89	3869	0.424	1768	8.27	
		50%	44.47	6.96	309.40	4395	0.547	2285	7.38	
		55%	44.43	9.59	426.03	4902	0.690	2867	6.73	
		60%	44.34	13.34	591.63	5359	0.835	3459	5.85	
		65%	44.30	15.79	699.52	5679	0.948	3905	5.58	
		70%	44.24	19.07	843.63	6038	1.087	4428	5.25	
		75%	44.16	23.84	1052.67	6438	1.248	5069	4.82	
		80%	44.08	28.30	1247.65	6806	1.410	5650	4.53	
90%		43.88	39.96	1753.67	7468	1.780	6939	3.96		
100%	43.62	55.63	2426.63	7891	2.101	7630	3.14			

Note: Motor or temperature is motor or surface temperature @100% throttle running 10mins.
(Date above based on benchtest are for reference only, comparison with that of other motor types is not recommended.)

Operating

Type	Propeller	Throttle	Voltage (V)	Current (A)	Power (W)	RPM	Torque (N*m)	Thrust (g)	Efficiency (g/W)	Temperature (°C)
AT4130 Long Shaft KV300	APC 17*10	40%	29.90	4.05	121.08	3148	0.284	1175	9.70	68 (Ambient Temperature:)
		45%	29.88	5.27	157.61	3471	0.351	1458	9.25	
		50%	29.82	8.14	242.78	3959	0.458	1903	7.84	
		55%	29.76	11.40	339.11	4399	0.566	2355	6.94	
		60%	29.73	14.01	416.40	4747	0.669	2773	6.66	
		65%	29.66	17.51	519.33	5085	0.772	3187	6.14	
		70%	29.59	21.50	636.19	5475	0.900	3696	5.81	
		75%	29.50	26.67	787.01	5821	1.027	4198	5.33	
		80%	29.43	31.27	920.27	6126	1.145	4662	5.07	
		90%	29.21	43.47	1269.79	6717	1.411	5652	4.45	
		100%	29.01	55.72	1616.42	7215	1.670	6577	4.07	
	APC 18*8	40%	29.90	4.08	122.11	3124	0.285	1246	10.20	85 (Ambient Temperature:)
		45%	29.87	5.54	165.57	3478	0.355	1573	9.50	
		50%	29.82	8.36	249.20	3969	0.462	2061	8.27	
		55%	29.78	11.20	333.59	4404	0.577	2542	7.62	
		60%	29.71	14.42	428.57	4781	0.681	3027	7.07	
		65%	29.67	17.26	512.26	5093	0.771	3438	6.71	
		70%	29.59	21.71	642.57	5476	0.906	4019	6.26	
		75%	29.49	26.99	796.16	5800	1.034	4601	5.78	
		80%	29.41	32.15	945.54	6147	1.169	5145	5.44	
		90%	29.22	43.46	1269.83	6721	1.428	6224	4.90	
		100%	29.01	55.77	1617.91	7201	1.672	7231	4.47	
	APC 14*7	40%	44.53	3.40	151.51	4778	0.202	1086	7.17	82 (Ambient Temperature:)
		45%	44.50	4.53	201.78	5356	0.258	1375	6.81	
		50%	44.47	6.46	287.44	6077	0.339	1796	6.25	
		55%	44.41	8.76	388.82	6659	0.418	2183	5.62	
		60%	44.38	11.21	497.36	7306	0.509	2633	5.29	
		65%	44.35	13.42	595.23	7783	0.586	2989	5.02	
		70%	44.28	17.04	754.68	8371	0.699	3536	4.69	
		75%	44.19	22.48	993.34	9045	0.837	4146	4.17	
		80%	44.11	26.78	1181.17	9528	0.967	4686	3.97	
		90%	43.89	39.41	1729.89	10475	1.290	5432	3.14	
		100%	43.67	53.21	2323.39	11329	1.595	6283	2.70	
	APC 15*8	40%	44.32	4.37	193.70	4605	0.294	1431	7.39	HOT (Ambient Temperature:)
		45%	44.31	5.73	253.89	5142	0.366	1779	7.01	
		50%	44.25	8.48	375.21	5885	0.484	2342	6.24	
		55%	44.20	11.61	513.33	6502	0.613	2928	5.70	
		60%	44.13	15.12	667.08	7064	0.731	3484	5.22	
		65%	44.07	18.52	816.06	7526	0.848	4010	4.91	
		70%	44.01	22.29	981.04	8039	0.983	4569	4.66	
		75%	43.84	30.92	1355.63	8623	1.208	5080	3.75	
		80%	43.72	38.65	1689.88	9142	1.420	5694	3.37	
90%		43.43	55.53	2412.02	9931	1.801	6751	2.80		
100%		43.14	72.26	3117.41	10572	2.171	7787	2.50		

Note: Motor temperature is motor surface temperature @100% throttle running 10mins.
(Date above based on benchtest are for reference only, comparison with that of other motor types is not recommended.)

Type	Propeller	Throttle	Voltage (V)	Current (A)	Power (W)	RPM	Torque (N*m)	Thrust (g)	Efficiency (g/W)	Operating Temperature (°C)
	APC 17*10	40%	22.24	9.57	212.83	3706	0.397	1632	7.67	63 (Ambient Temperature:)
		45%	22.21	11.55	256.58	3969	0.457	1873	7.30	
		50%	22.16	14.22	315.17	4285	0.533	2182	6.92	
		55%	22.08	18.77	414.61	4705	0.655	2671	6.44	
		60%	22.01	23.17	510.03	5078	0.764	3124	6.13	
		65%	21.92	28.60	627.00	5418	0.885	3610	5.76	
		70%	21.82	34.25	747.18	5733	0.993	4039	5.41	

Continued below

AT4130 Long Shaft KV450		75%	21.72	40.63	882.51	6090	1.113	4486	5.08	81 (Ambient Temperature:/)
		80%	21.57	49.20	1061.39	6405	1.274	5113	4.82	
		90%	21.31	65.24	1390.48	6926	1.540	6091	4.38	
		100%	21.16	74.27	1571.68	7167	1.676	6534	4.16	
	APC 18*8	40%	22.24	9.57	212.80	3696	0.400	1778	8.35	
		45%	22.21	11.36	252.32	3953	0.454	2016	7.99	
		50%	22.16	14.17	314.14	4283	0.533	2356	7.50	
		55%	22.09	18.30	404.33	4684	0.643	2830	7.00	
		60%	22.01	23.22	511.02	5082	0.765	3374	6.60	
		65%	21.93	28.09	615.93	5403	0.870	3824	6.21	
		70%	21.84	33.66	735.00	5719	0.994	4355	5.93	
		75%	21.72	40.51	879.75	6048	1.120	4908	5.58	
		80%	21.60	47.54	1026.98	6360	1.248	5409	5.27	
		90%	21.34	63.11	1346.94	6905	1.503	6471	4.80	
100%	21.18	72.70	1540.06	7201	1.641	7017	4.56			

Note: Motor temperature is motor surface temperature @100% throttle running 10mins.
(Date above based on benchtest are for reference only, comparion with that of other motor types is not recommended.)

Contents



Motor×1

Parts Bag×1

(AT41Series V2.0-Aluminum Washerφ8.1*20*2.5mm*1,Prop adapter φ 28*35mm-M8*1, Washer (Non-slip design)28*8.1*3.5mm *1,M8 Nut*2,Cup-head set screwM3*8mm*4, C-Clipsφ12*6*5.5mm*1,Hexagon set screwM3*4mm*1, Cross style motor mount70*30*4MM*1, Mount screwsM4*8mm*4)

Please check that your package contains all the above items before use, If something is missing, please contact online customer service or leave message to onlinesales@tmotor.com