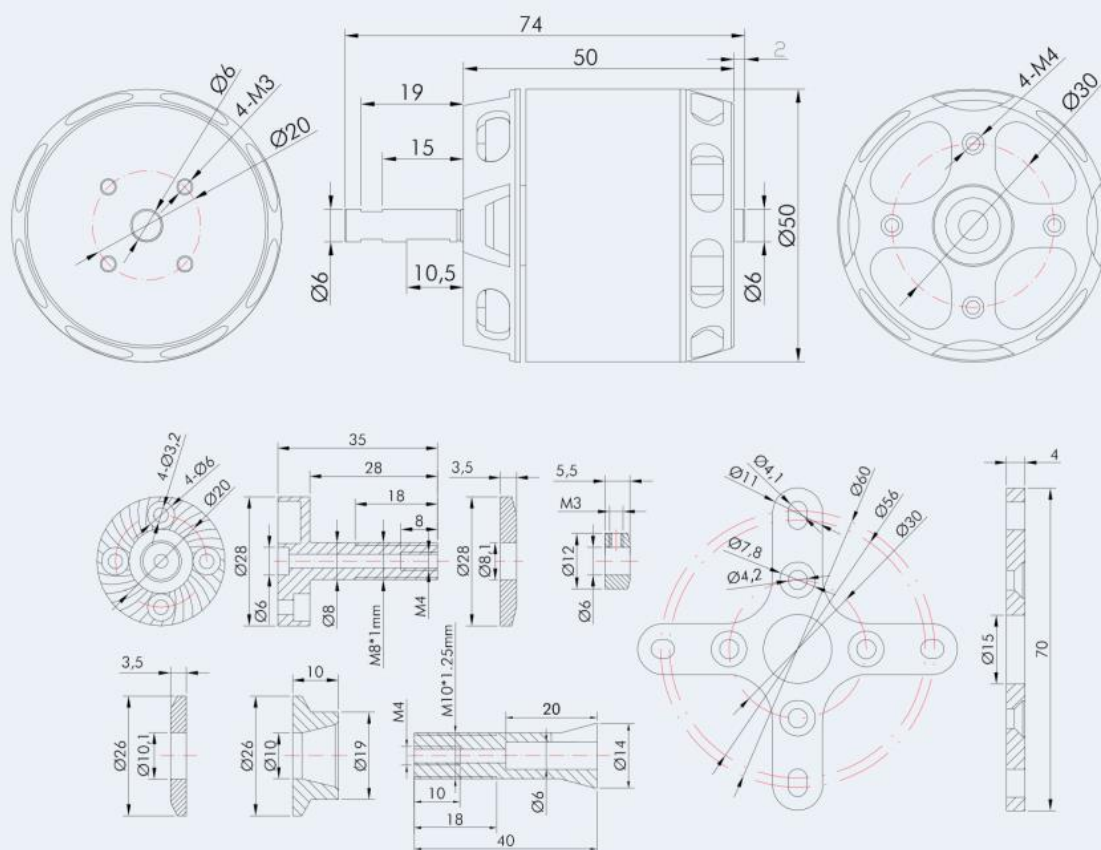


T-Motor AT4125

Product Drawing



Specifications

| Test Item | Long Shaft KV250 | Weight (Incl. Cable) | 350g |
|-------------------|------------------------|----------------------|--------------|
| Motor Dimensions | $\Phi 50 \times 74$ mm | Internal Resistance | 68m Ω |
| Lead | Enameled Wire 100mm | Configuration | 12N14P |
| Shaft Diameter | IN: 6mm OUT: 6mm | Rated Voltage(Lipo) | 12S |
| Idle Current(10V) | 1.0A | Peak Current(180s) | 50A |
| Max. Power(180s) | 2200W | Recommendation | / |

| Test Item | Long Shaft KV540 | Weight (Incl. Cable) | 355g |
|-------------------|------------------------|----------------------|--------------|
| Motor Dimensions | $\Phi 50 \times 74$ mm | Internal Resistance | 14m Ω |
| Lead | Enameled Wire 100mm | Configuration | 12N14P |
| Shaft Diameter | IN: 6mm OUT: 6mm | Rated Voltage(Lipo) | 6S |
| Idle Current(10V) | 2.6A | Peak Current(180s) | 85A |
| Max. Power(180s) | 2000W | Recommendation | / |

Test Report

| Type | Propeller | Throttle | Voltage (V) | Current (A) | Power (W) | RPM | Torque (N*m) | Thrust (g) | Efficiency (g/W) | Operating Temperature (°C) |
|-------------------------|-----------|----------|-------------|-------------|-----------|-------|--------------|------------|------------------|------------------------------|
| AT4125 Long Shaft KV250 | APC 15*8 | 40% | 44.37 | 2.76 | 122.38 | 3922 | 0.210 | 1027 | 8.39 | 78 (Ambient Temperature/) |
| | | 45% | 44.34 | 3.42 | 151.62 | 4319 | 0.254 | 1242 | 8.19 | |
| | | 50% | 44.31 | 5.02 | 222.62 | 4911 | 0.334 | 1631 | 7.33 | |
| | | 55% | 44.28 | 6.78 | 300.43 | 5453 | 0.419 | 2042 | 6.80 | |
| | | 60% | 44.25 | 8.71 | 385.57 | 5931 | 0.502 | 2433 | 6.31 | |
| | | 65% | 44.20 | 10.86 | 479.91 | 6368 | 0.579 | 2791 | 5.82 | |
| | | 70% | 44.16 | 13.22 | 583.56 | 6767 | 0.669 | 3213 | 5.51 | |
| | | 75% | 44.10 | 16.36 | 721.40 | 7237 | 0.779 | 3719 | 5.15 | |
| | | 80% | 44.04 | 19.79 | 871.73 | 7703 | 0.893 | 4220 | 4.84 | |
| | | 90% | 43.90 | 28.10 | 1233.40 | 8406 | 1.153 | 5078 | 4.12 | |
| | 100% | 43.70 | 39.92 | 1744.46 | 9145 | 1.473 | 5838 | 3.35 | | |
| | APC 16*8 | 40% | 44.35 | 3.27 | 145.16 | 3863 | 0.261 | 1253 | 8.63 | 96 (Ambient Temperature/) |
| | | 45% | 44.33 | 4.11 | 182.31 | 4249 | 0.320 | 1527 | 8.37 | |
| | | 50% | 44.30 | 5.86 | 259.41 | 4815 | 0.414 | 1983 | 7.65 | |
| | | 55% | 44.26 | 8.26 | 365.43 | 5373 | 0.517 | 2469 | 6.76 | |
| | | 60% | 44.21 | 10.58 | 467.56 | 5800 | 0.617 | 2935 | 6.28 | |
| | | 65% | 44.16 | 13.15 | 580.61 | 6234 | 0.722 | 3400 | 5.86 | |
| | | 70% | 44.12 | 16.13 | 711.69 | 6643 | 0.843 | 3933 | 5.53 | |
| | | 75% | 44.05 | 19.73 | 869.19 | 7058 | 0.963 | 4476 | 5.15 | |
| | | 80% | 43.97 | 24.10 | 1059.85 | 7500 | 1.102 | 5042 | 4.76 | |
| 90% | | 43.80 | 33.50 | 1467.45 | 8169 | 1.383 | 6182 | 4.21 | | |
| 100% | 43.58 | 47.04 | 2049.62 | 8831 | 1.723 | 7053 | 3.44 | | | |

Note: Motor temperature is motor surface temperature @100% throttle running 10mins.
(Date above based on benchtest are for reference only, comparison with that of other motor types is not recommended.)

| Type | Propeller | Throttle | Voltage (V) | Current (A) | Power (W) | RPM | Torque (N*m) | Thrust (g) | Efficiency (g/W) | Operating Temperature (°C) |
|-------------------------------|-------------|----------|-------------|-------------|-----------|-------|--------------|------------|------------------|----------------------------------|
| AT4125 Long Shaft KV540 | APC 15*8 | 40% | 22.38 | 11.21 | 250.81 | 4943 | 0.341 | 1674 | 6.68 | 84 (Ambient Temperature:/) |
| | | 45% | 22.34 | 13.58 | 303.32 | 5313 | 0.395 | 1929 | 6.36 | |
| | | 50% | 22.29 | 16.21 | 361.27 | 5650 | 0.452 | 2205 | 6.10 | |
| | | 55% | 22.24 | 19.14 | 425.84 | 5978 | 0.513 | 2492 | 5.85 | |
| | | 60% | 22.18 | 23.20 | 514.39 | 6382 | 0.595 | 2864 | 5.57 | |
| | | 65% | 22.10 | 27.69 | 611.87 | 6806 | 0.676 | 3233 | 5.28 | |
| | | 70% | 22.02 | 32.79 | 722.03 | 7193 | 0.766 | 3655 | 5.06 | |
| | | 75% | 21.93 | 38.58 | 845.87 | 7571 | 0.863 | 4081 | 4.82 | |
| | | 80% | 21.80 | 45.80 | 998.46 | 7963 | 0.970 | 4541 | 4.55 | |
| | | 85% | 21.68 | 52.89 | 1146.84 | 8301 | 1.072 | 4951 | 4.32 | |
| | | 90% | 21.52 | 62.57 | 1346.88 | 8577 | 1.213 | 5163 | 3.83 | |
| | 100% | 21.36 | 72.77 | 1554.08 | 8879 | 1.344 | 5537 | 3.56 | | |
| | APC 16*8 | 40% | 22.20 | 11.43 | 253.85 | 4637 | 0.378 | 1798 | 7.08 | 97 (Ambient Temperature:/) |
| | | 45% | 22.16 | 13.89 | 307.76 | 4970 | 0.437 | 2069 | 6.72 | |
| | | 50% | 22.11 | 16.79 | 371.33 | 5309 | 0.502 | 2380 | 6.41 | |
| | | 55% | 22.05 | 20.26 | 446.90 | 5686 | 0.585 | 2771 | 6.20 | |
| | | 60% | 21.96 | 25.87 | 568.11 | 6118 | 0.694 | 3241 | 5.70 | |
| | | 65% | 21.86 | 31.71 | 693.11 | 6522 | 0.804 | 3738 | 5.39 | |
| | | 70% | 21.77 | 37.21 | 810.01 | 6873 | 0.896 | 4145 | 5.12 | |
| | | 75% | 21.66 | 44.10 | 955.01 | 7239 | 1.011 | 4635 | 4.85 | |
| | | 80% | 21.51 | 52.74 | 1134.53 | 7597 | 1.149 | 5207 | 4.59 | |
| | | 90% | 21.23 | 69.58 | 1477.35 | 8206 | 1.370 | 6054 | 4.10 | |
| 100% | | 21.03 | 81.72 | 1718.70 | 8492 | 1.528 | 6618 | 3.85 | | |

Note: Motor temperature is motor surface temperature @100% throttle running 10mins.
(Date above based on benchtest are for reference only, comparion with that of other motor types is not recommended.)

Contents



Motor x1



Parts Bag x1

(AT41Series V2.0-Aluminum Washerφ8.1*20*2.5mm*1,Prop adapter φ 28*35mm-M8*1, Washer (Non-slip design)28*8.1*3.5mm *1,M8 Nut*2,Cup-head set screwM3*8mm*4, C-Clipsφ12*6*5.5mm*1,Hexagon set screwM3*4mm*1, Cross style motor mount70*30*4MM*1, Mount screwsM4*8mm*4)

Please check that your package contains all the above items before use, If something is missing, please contact online customer service or leave message to onsales@rctigermotor.com