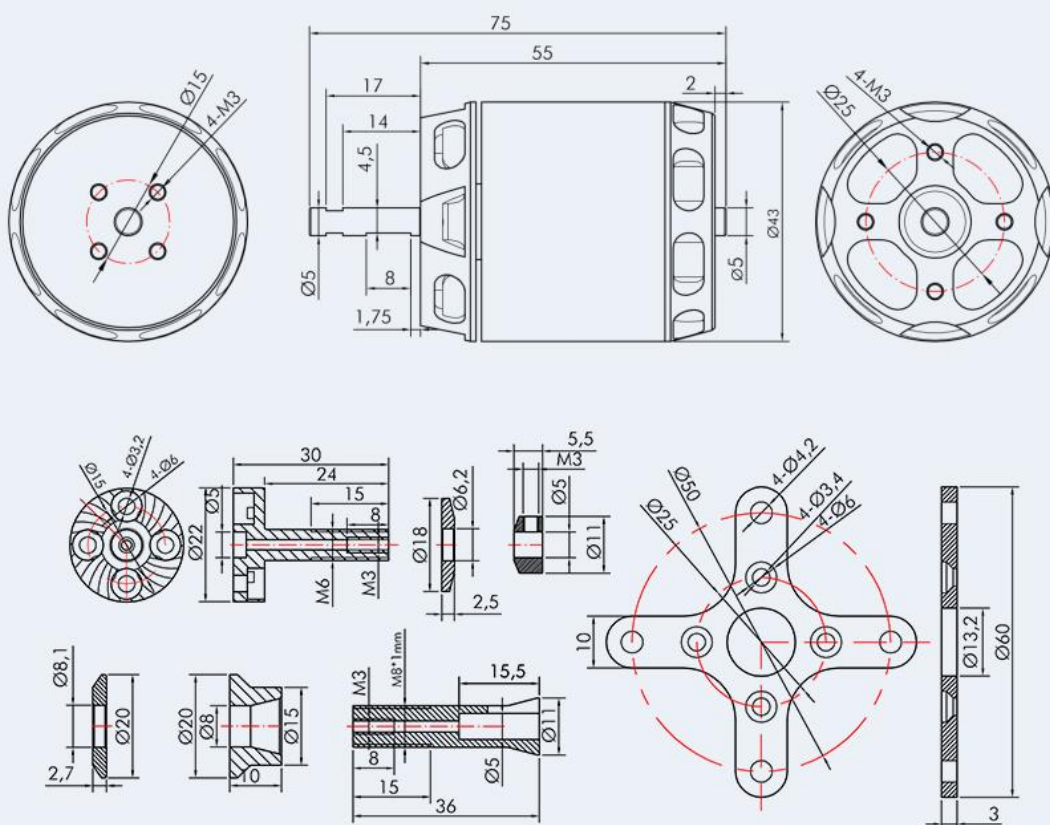


T-Motor AT3530

Product Drawing



Specifications

Test Item	Long Shaft KV580	Weight (Incl. Cable)	298g
Motor Dimensions	Φ43*75mm	Internal Resistance	18mΩ
Lead	Enameled Wire 100mm	Configuration	12N14P
Shaft Diameter	IN : 5mm OUT : 5mm	Rated Voltage(Lipo)	4-6S
Idle Current(10V)	1.9A	Peak Current(180s)	65A
Max. Power(180s)	1400W	Recommendation	/

Test Report

Type	Propeller	Throttle	Voltage (V)	Current (A)	Power (W)	RPM	Torque (N*m)	Thrust (g)	Efficiency (g/W)	Operating Temperature (°C)
AT3530 Long Shaft KV580	APC 13*8	40%	22.45	8.28	186.02	5419	0.245	1263	6.79	/ (Ambient Temperature:/)
		45%	22.42	10.02	224.67	5815	0.282	1448	6.45	
		50%	22.39	11.88	265.99	6160	0.324	1653	6.22	
		55%	22.36	13.93	311.31	6492	0.365	1852	5.95	
		60%	22.31	16.71	372.77	6911	0.414	2107	5.65	
		65%	22.24	20.48	455.55	7379	0.482	2439	5.35	
		70%	22.18	24.14	535.51	7782	0.541	2723	5.08	
		75%	22.11	28.75	635.48	8243	0.614	3062	4.82	
		80%	22.02	33.81	744.61	8637	0.690	3265	4.38	
		85%	21.90	41.07	899.42	8998	0.801	3429	3.81	
	90%	21.80	47.32	1031.51	9378	0.880	3743	3.63		
	100%	21.69	54.04	1171.88	9678	0.968	4082	3.48		
	APC 14*7	40%	22.44	8.67	194.49	5297	0.262	1382	7.11	74 (Ambient Temperature:/)
		45%	22.41	10.30	230.82	5615	0.301	1581	6.85	
		50%	22.37	12.36	276.51	5965	0.344	1795	6.49	
		55%	22.33	15.00	334.90	6352	0.398	2063	6.16	
		60%	22.28	18.33	408.36	6775	0.460	2369	5.80	
		65%	22.20	22.60	501.85	7255	0.536	2736	5.45	
		70%	22.12	27.38	605.52	7686	0.611	3104	5.13	
		75%	22.05	31.93	704.03	8073	0.686	3450	4.90	
80%		21.96	37.14	815.64	8436	0.766	3826	4.69		
85%		21.84	44.15	964.40	8863	0.864	4265	4.42		
90%	21.72	51.40	1116.61	9246	0.958	4660	4.17			
100%	21.61	58.46	1263.33	9496	1.052	4805	3.80			

Note: Motor temperature is motor surface temperature @100% throttle running 10mins.
(Date above based on benchtest are for reference only, comparion with that of other motor types is not recommended.)

Contents



Motor×1



Parts Bag×1

(AT28Series V2.0-Aluminum Washerφ6.1*16*2.5mm*1,Prop adapter φ22*30mm-M6*1, Washer (Non-slip design)18*6.2*2.5mm *1,M6 Nut*1,Cup-head set screwM3*6mm*4,Motor baseφ20*10mm*1, 5 to 8 Collet-style prop adapterφ11*36mm*1,Washer (Non-slip design)20*8.1*2.7mm *1, M8 Thin Nut (Stainless Steel)M8*1*4mm *2,C-Clipsφ9*4*3.5mm*1,Hexagon set screwM3*4mm*1, Cross style motor mount25*25*3MM*1, Mount screwsM3*6mm*4)

Please check that your package contains all the above items before use, If something is missing, please contact online customer service or leave message to onlinesales@rctigermotor.com