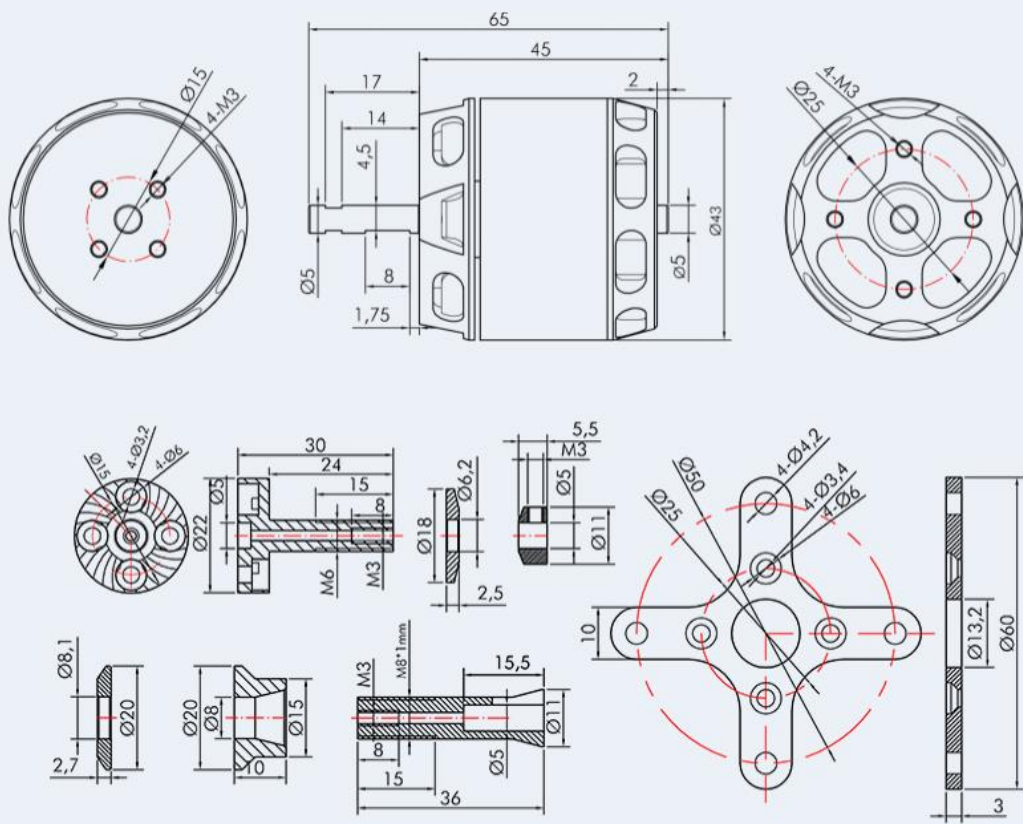


Product Drawing



Specifications

Test Item	Long Shaft KV550	Weight (Incl. Cable)	218g
Motor Dimensions	$\Phi 43*65$ mm	Internal Resistance	31m Ω
Lead	Enameled Wire 100mm	Configuration	12N14P
Shaft Diameter	IN : 5mm OUT : 5mm	Rated Voltage(Lipo)	4-6S
Idle Current(10V)	1.1A	Peak Current(180s)	50A
Max. Power(180s)	1100W	Recommendation	/
Test Item	Long Shaft KV720	Weight (Incl. Cable)	219g
Motor Dimensions	$\Phi 43*65$ mm	Internal Resistance	20m Ω
Lead	Enameled Wire 100mm	Configuration	12N14P
Shaft Diameter	IN : 5mm OUT : 5mm	Rated Voltage(Lipo)	4-5S
Idle Current(10V)	1.6A	Peak Current(180s)	70A
Max. Power(180s)	1300W	Recommendation	/
Test Item	Long Shaft KV850	Weight (Incl. Cable)	221g
Motor Dimensions	$\Phi 43*65$ mm	Internal Resistance	14m Ω
Lead	Enameled Wire 100mm	Configuration	12N14P
Shaft Diameter	IN : 5mm OUT : 5mm	Rated Voltage(Lipo)	3-4S
Idle Current(10V)	2.0A	Peak Current(180s)	70A
Max. Power(180s)	1100W	Recommendation	/

Continued below

Test Report

Type	Propeller	Throttle	Voltage (V)	Current (A)	Power (W)	RPM	Torque (N*m)	Thrust (g)	Efficiency (g/W)	Operating Temperature (°C)
AT3520 Long Shaft KV550	APC 13*6.5	40%	22.49	4.96	111.61	4834	0.162	912	8.18	41 (Ambient Temperature:)
		45%	22.47	6.00	134.81	5181	0.187	1053	7.81	
		50%	22.45	7.26	163.08	5558	0.215	1208	7.41	
		55%	22.43	8.88	199.17	5990	0.249	1396	7.01	
		60%	22.39	10.87	243.44	6404	0.290	1619	6.65	
		65%	22.35	13.47	300.90	6895	0.340	1890	6.28	
		70%	22.30	16.12	359.46	7313	0.386	2140	5.95	
		75%	22.25	19.27	428.67	7732	0.438	2412	5.63	
		80%	22.19	22.60	501.48	8119	0.494	2711	5.41	
		90%	22.06	30.77	678.62	8940	0.607	3289	4.85	
	100%	21.99	34.89	767.14	9252	0.667	3575	4.66		
	APC 14*7	40%	22.49	5.15	115.79	4423	0.185	973	8.40	59 (Ambient Temperature:)
		45%	22.46	6.71	150.66	4888	0.224	1169	7.76	
		50%	22.43	8.50	190.74	5313	0.268	1408	7.38	
		55%	22.37	11.18	250.13	5785	0.326	1689	6.75	
		60%	22.34	13.70	305.98	6192	0.380	1954	6.39	
		65%	22.29	16.90	376.75	6664	0.440	2247	5.96	
		70%	22.23	20.26	450.36	7056	0.498	2529	5.62	
		75%	22.16	24.56	544.30	7454	0.570	2863	5.26	
		80%	22.08	29.20	644.83	7818	0.646	3216	4.99	
90%		21.93	38.47	843.54	8481	0.776	3787	4.49		
100%	21.83	44.28	966.63	8762	0.854	4116	4.26			

Note: Motor temperature is motor surface temperature @100% throttle running 10mins.
(Date above based on benchtest are for reference only, comparion with that of other motor types is not recommended.)

Type	Propeller	Throttle	Voltage (V)	Current (A)	Power (W)	RPM	Torque (N*m)	Thrust (g)	Efficiency (g/W)	Operating Temperature (°C)
AT3520 Long Shaft KV720	APC 13*8	40%	18.47	7.46	137.74	4880	0.194	1004	7.29	54 (Ambient Temperature:)
		45%	18.43	9.41	173.40	5303	0.231	1194	6.88	
		50%	18.39	11.90	218.85	5750	0.277	1428	6.52	
		55%	18.34	14.91	273.44	6237	0.324	1658	6.06	
		60%	18.28	18.61	340.07	6657	0.383	1954	5.75	
		65%	18.20	23.12	420.93	7162	0.443	2249	5.34	
		70%	18.15	27.05	490.94	7548	0.500	2524	5.14	
		75%	18.06	31.85	575.15	7918	0.552	2768	4.81	
		80%	17.96	37.82	679.25	8315	0.621	3045	4.48	
		90%	17.74	51.47	912.96	8977	0.771	3539	3.88	
	100%	17.62	58.90	1037.58	9211	0.845	3624	3.49		
	APC 14*7	40%	18.46	7.55	139.36	4685	0.204	1076	7.72	72 (Ambient Temperature:)
		45%	18.42	9.99	183.99	5164	0.254	1332	7.24	
		50%	18.37	12.95	237.94	5657	0.304	1583	6.65	
		55%	18.31	16.51	302.23	6123	0.364	1881	6.22	
		60%	18.24	20.52	374.31	6565	0.426	2185	5.84	
		65%	18.16	25.43	461.78	7020	0.493	2526	5.47	
		70%	18.08	30.14	544.91	7380	0.552	2817	5.17	
		75%	17.99	35.37	636.40	7754	0.614	3101	4.87	
		80%	17.88	42.17	754.01	8130	0.693	3457	4.58	
90%		17.66	55.71	984.06	8756	0.832	4072	4.14		
100%	17.55	62.58	1098.29	9014	0.892	4316	3.93			

Note: Motor temperature is motor surface temperature @100% throttle running 10mins.
(Date above based on benchtest are for reference only, comparion with that of other motor types is not recommended.)

Type	Propeller	Throttle	Voltage (V)	Current (A)	Power (W)	RPM	Torque (N*m)	Thrust (g)	Efficiency (g/W)	Operating Temperature (°C)
AT3520 Long Shaft KV850	APC 13*6.5	40%	15.16	8.34	126.54	5001	0.170	953	7.53	43 (Ambient Temperature:)
		45%	15.13	10.19	154.22	5364	0.198	1106	7.17	
		50%	15.10	12.09	182.64	5735	0.229	1280	7.01	
		55%	15.05	15.18	228.48	6168	0.267	1494	6.54	
		60%	14.99	18.54	278.01	6583	0.312	1732	6.23	
		65%	14.92	22.90	341.70	7073	0.361	2008	5.88	
		70%	14.87	26.29	390.84	7402	0.397	2200	5.63	
		75%	14.79	30.91	457.12	7816	0.446	2457	5.38	
		80%	14.71	35.89	527.89	8189	0.492	2696	5.11	
		90%	14.52	47.53	690.19	8938	0.591	3191	4.62	
	100%	14.41	54.65	787.29	9187	0.654	3515	4.46		
	APC 14*7	40%	15.15	8.87	134.38	4578	0.196	1021	7.60	61 (Ambient Temperature:)
		45%	15.12	11.11	167.90	4937	0.233	1214	7.23	
		50%	15.06	14.47	217.85	5432	0.282	1468	6.74	
		55%	14.99	18.96	284.08	5928	0.347	1785	6.28	
		60%	14.92	23.03	343.56	6323	0.395	2033	5.92	
		65%	14.83	28.29	419.61	6746	0.457	2323	5.54	
		70%	14.75	33.09	488.18	7071	0.507	2570	5.26	
		75%	14.65	39.24	574.99	7435	0.568	2852	4.96	
		80%	14.56	45.23	658.44	7743	0.624	3111	4.73	
90%		14.34	58.48	838.83	8318	0.737	3607	4.30		
100%	14.22	66.32	942.71	8598	0.797	3854	4.09			

Note: Motor temperature is motor surface temperature @100% throttle running 10mins.
(Date above based on benchtest are for reference only, comparion with that of other motor types is not recommended.)

Continued below

Contents



Motorx1



Parts Bagx1

(AT28Series V2.0-Aluminum Washer ϕ 6.1*16*2.5mm*1, Prop adaptor ϕ 22*30mm-M6*1, Washer (Non-slip design)18*6.2*2.5mm *1, M6 Nut*1, Cup-head set screwM3*6mm*4, Motor base ϕ 20*10mm*1, 5 to 8 Collet-style prop adapter ϕ 11*36mm*1, Washer (Non-slip design)20*8.1*2.7mm *1, M8 Thin Nut (Stainless Steel)M8*1*4mm *2, C-Clips ϕ 9*4*3.5mm*1, Hexagon set screwM3*4mm*1, Cross style motor mount25*25*3MM*1, Mount screwsM3*6mm*4)

Please check that your package contains all the above items before use, If something is missing, please contact online customer service or leave message to onlinesales@rctigermotor.com