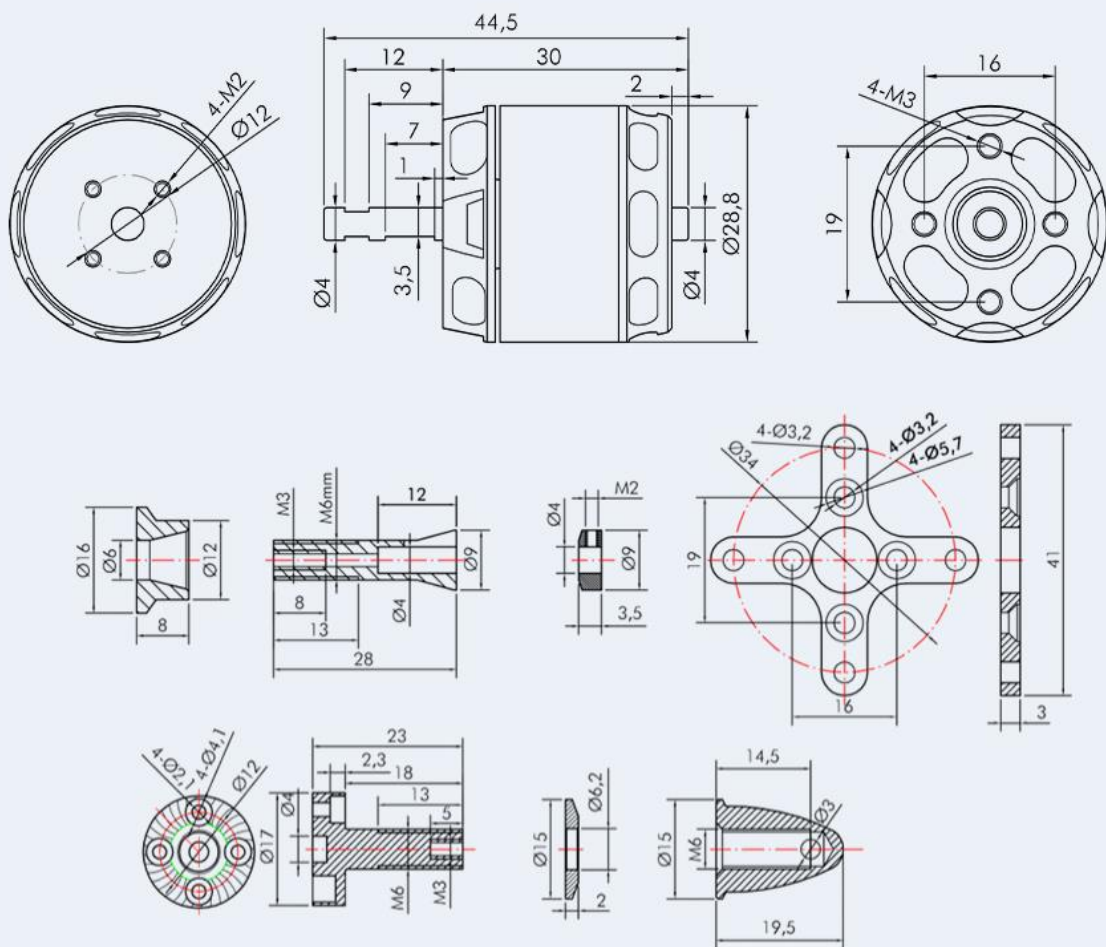


T-Motor AT2312

Product Drawing



Specifications

Test Item	Long Shaft KV1150	Weight (Incl. Cable)	60g
Motor Dimensions	Φ28.4*44.5mm	Internal Resistance	75mΩ
Lead	20#AWG 100mm	Configuration	12N14P
Shaft Diameter	IN : 4mm OUT : 4mm	Rated Voltage(Lipo)	2-4S
Idle Current(10V)	0.85A	Peak Current(180s)	25A
Max. Power(180s)	350W	Recommendation	/

Test Item	Long Shaft KV1400	Weight (Incl. Cable)	60g
Motor Dimensions	Φ28.4*44.5mm	Internal Resistance	55mΩ
Lead	20#AWG 100mm	Configuration	12N14P
Shaft Diameter	IN : 4mm OUT : 4mm	Rated Voltage(Lipo)	2-4S
Idle Current(10V)	1.1A	Peak Current(180s)	30A
Max. Power(180s)	320W	Recommendation	/

Test Report

Type	Propeller	Throttle	Voltage (V)	Current (A)	Power (W)	RPM	Torque (N*m)	Thrust (g)	Efficiency (g/W)	Operating Temperature (°C)
AT2312 Long Shaft KV1150	APC 8*6	40%	14.96	5.26	78.57	7213	0.072	448	5.70	74 (Ambient Temperature:)
		45%	14.94	6.10	90.87	7686	0.079	509	5.61	
		50%	14.93	7.04	104.93	8093	0.088	575	5.48	
		55%	14.91	8.03	119.61	8461	0.096	634	5.30	
		60%	14.90	9.17	136.48	8808	0.106	692	5.07	
		65%	14.86	10.32	153.04	9186	0.115	754	4.93	
		70%	14.83	11.60	171.92	9554	0.126	821	4.78	
		75%	14.77	13.60	200.64	10069	0.141	907	4.52	
		80%	14.69	15.88	233.04	10479	0.157	1005	4.31	
		90%	14.59	21.03	306.57	11205	0.190	1181	3.85	
	100%	14.53	22.44	326.02	11400	0.197	1222	3.75		
	APC 9*6	40%	11.45	3.90	44.53	5239	0.053	329	7.38	53 (Ambient Temperature:)
		45%	11.44	4.58	52.33	5554	0.061	371	7.08	
		50%	11.42	5.32	60.59	5867	0.068	418	6.90	
		55%	11.40	6.11	69.53	6211	0.075	474	6.84	
		60%	11.38	6.92	78.63	6508	0.082	529	6.73	
		65%	11.36	8.11	92.00	6885	0.092	598	6.50	
		70%	11.32	9.55	108.06	7258	0.103	677	6.26	
		75%	11.29	10.88	122.68	7595	0.113	742	6.05	
		80%	11.25	12.58	141.40	7987	0.126	817	5.78	
		90%	11.16	16.45	183.48	8665	0.151	976	5.32	
	100%	11.12	18.03	200.43	8960	0.160	1029	5.14		
	APC 10*4.7	40%	11.31	4.26	48.00	4537	0.065	416	8.67	71 (Ambient Temperature:)
		45%	11.26	5.10	57.25	4818	0.074	476	8.31	
		50%	11.27	6.17	69.40	5147	0.085	548	7.90	
		55%	11.17	7.44	82.92	5489	0.097	625	7.54	
		60%	11.19	9.05	101.23	5860	0.112	713	7.05	
		65%	11.12	10.80	119.93	6189	0.126	804	6.70	
		70%	11.06	12.66	139.79	6493	0.140	888	6.35	
		75%	10.99	14.59	160.19	6777	0.154	971	6.06	
80%		10.93	16.71	182.41	7055	0.167	1054	5.78		
90%		10.81	21.36	230.82	7548	0.194	1211	5.25		
100%	10.78	22.63	243.92	7656	0.199	1244	5.10			

Note: Motor temperature is motor surface temperature @100% throttle running 10mins.
(Date above based on benchtest are for reference only, comparison with that of other motor types is not recommended.)

Type	Propeller	Throttle	Voltage (V)	Current (A)	Power (W)	RPM	Torque (N*m)	Thrust (g)	Efficiency (g/W)	Operating Temperature (°C)
AT2312 Long Shaft KV1400	APC 8*6	40%	11.17	5.85	65.19	6709	0.062	376	5.77	42 (Ambient Temperature:/)
		45%	11.12	6.75	74.94	7075	0.069	422	5.63	
		50%	11.16	7.75	86.32	7531	0.076	480	5.56	
		55%	11.13	8.82	97.91	7870	0.083	533	5.46	
		60%	11.10	9.91	109.88	8179	0.090	592	5.39	
		65%	11.06	11.16	123.29	8530	0.098	648	5.26	
		70%	11.03	12.52	137.88	8825	0.106	703	5.10	
		75%	10.96	14.37	157.37	9238	0.117	777	4.94	
		80%	10.92	16.62	181.38	9731	0.130	853	4.70	
		90%	10.81	21.79	235.27	10530	0.155	1009	4.29	
	100%	10.77	23.34	251.15	10709	0.161	1050	4.18		
	APC 9*6	40%	11.41	6.15	69.96	5984	0.070	440	6.30	65 (Ambient Temperature:/)
		45%	11.38	7.22	82.07	6392	0.078	511	6.23	
		50%	11.36	8.40	95.22	6713	0.087	569	5.98	
		55%	11.32	9.94	112.42	7131	0.098	643	5.72	
		60%	11.28	11.74	132.12	7537	0.110	725	5.49	
		65%	11.23	13.75	154.20	7898	0.123	811	5.26	
		70%	11.19	15.75	176.02	8292	0.137	896	5.09	
		75%	11.14	17.93	199.52	8646	0.150	978	4.90	
		80%	11.07	20.52	227.04	9015	0.164	1065	4.69	
90%		10.91	26.10	284.43	9646	0.190	1222	4.30		
100%	10.82	28.58	309.06	9851	0.199	1278	4.13			

Note: Motor temperature is motor surface temperature @100% throttle running 10mins.
(Date above based on benchtest are for reference only, comparison with that of other motor types is not recommended.)

Contents



Motorx1



Parts Bagx1

(Rubber WasherM6*12*2mm*1,Prop adapter φ 17*24mm-M6*1,Washer (Non-slip design) 15*6.2*2mm *2,M6 Bullet connector*1,Cup-head set screwM2*6mm*4,Motor base φ16*8mm*1, 4 to 6 Collet-style prop adapterφ9*28*1,M6 Nut*1, C-Clips φ9*4*3.5mm*1,Hexagon set screwM2*2.5mm*2,Cross style motor mount19*16*3MM*1, Mount screwsM3*6mm*1)

Please check that your package contains all the above items before use, If something is missing, please contact online customer service or leave message to onlinesales@rctigermotor.com