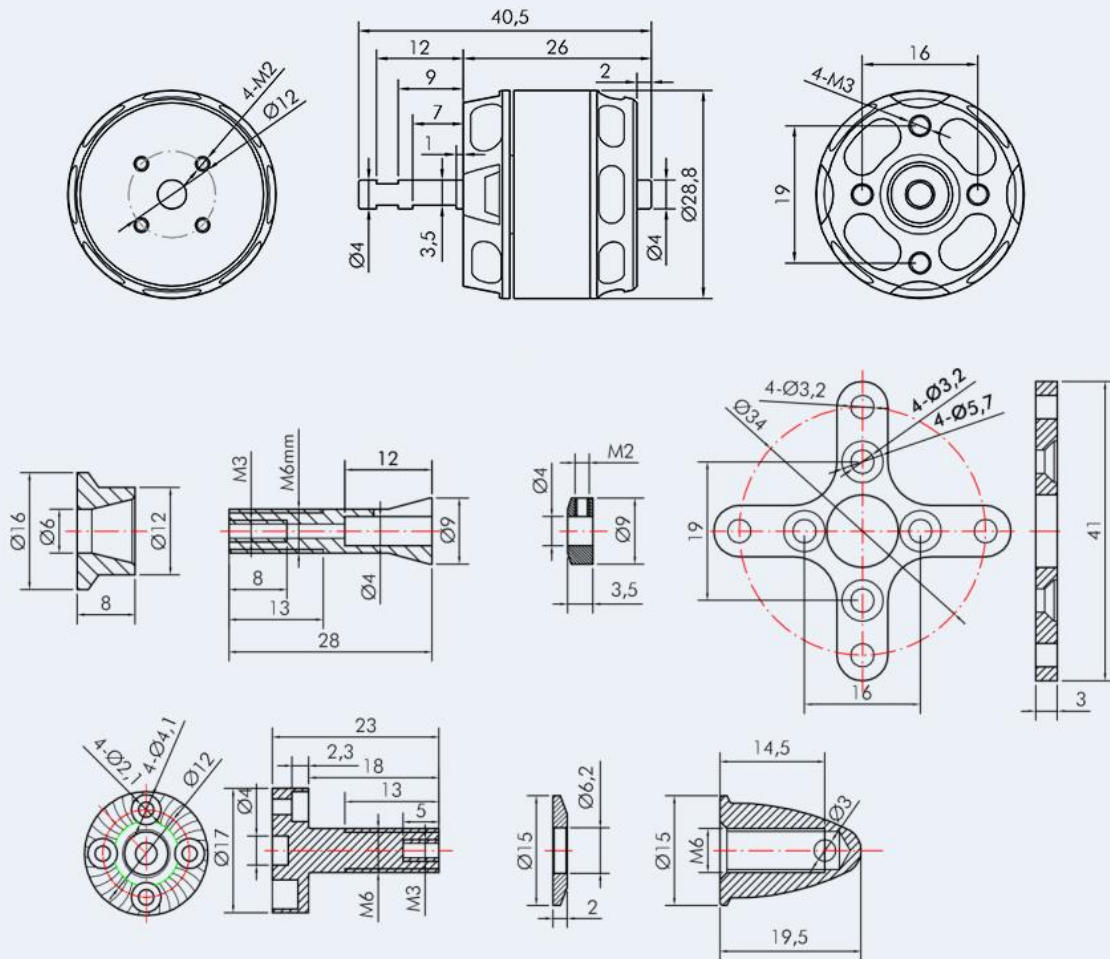


T-Motor AT2308

Product Drawing



Specifications

Test Item	Long Shaft KV1450	Weight (Incl. Cable)	47g
Motor Dimensions	Φ28.8*40.5mm	Internal Resistance	90mΩ
Lead	20#AWG 100mm	Configuration	12N14P
Shaft Diameter	IN : 4mm OUT : 4mm	Rated Voltage(Lipo)	2-4S
Idle Current(10V)	0.8A	Peak Current(180s)	23A
Max. Power(180s)	250W	Recommendation	/
Test Item	Long Shaft KV2600	Weight (Incl. Cable)	48g
Motor Dimensions	Φ28.8*40.5mm	Internal Resistance	28mΩ
Lead	20#AWG 100mm	Configuration	12N14P
Shaft Diameter	IN : 4mm OUT : 4mm	Rated Voltage(Lipo)	2-4S
Idle Current(10V)	1.8A	Peak Current(180s)	28A
Max. Power(180s)	300W	Recommendation	/

Test Report

Type	Propeller	Throttle	Voltage (V)	Current (A)	Power (W)	RPM	Torque (N*m)	Thrust (g)	Efficiency (g/W)	Operating Temperature (°C)
AT2308 Long Shaft KV1450	APC 8*6	40%	11.32	4.21	47.47	5990	0.049	294	6.19	53 (Ambient Temperature:)
		45%	11.31	4.97	56.05	6347	0.055	333	5.93	
		50%	11.29	5.78	65.13	6699	0.060	371	5.69	
		55%	11.26	6.79	76.33	7108	0.068	419	5.48	
		60%	11.24	7.95	89.12	7586	0.074	481	5.39	
		65%	11.21	9.27	103.65	7978	0.083	554	5.34	
		70%	11.18	10.57	117.97	8343	0.091	607	5.15	
		75%	11.14	12.11	134.73	8709	0.100	666	4.94	
		80%	11.09	13.98	154.89	9099	0.110	730	4.72	
		90%	11.00	17.98	197.61	9737	0.128	843	4.27	
	100%	10.97	19.07	209.07	9858	0.132	867	4.15		
	APC 9*6	40%	11.42	4.33	49.38	5272	0.054	328	6.64	79 (Ambient Temperature:)
		45%	11.40	5.22	59.34	5631	0.062	377	6.36	
		50%	11.38	6.42	72.85	6054	0.072	445	6.11	
		55%	11.35	7.68	86.97	6474	0.081	518	5.96	
		60%	11.31	9.29	104.94	6904	0.092	596	5.68	
		65%	11.27	10.95	123.44	7265	0.103	667	5.40	
		70%	11.23	12.74	142.96	7604	0.113	742	5.19	
		75%	11.19	14.48	161.78	7908	0.123	807	4.99	
80%		11.15	16.46	183.27	8173	0.134	873	4.76		
90%		11.04	20.83	229.72	8681	0.154	1007	4.38		
100%	11.00	22.42	246.35	8827	0.159	1045	4.24			

Note: Motor temperature is motor surface temperature @100% throttle running 10mins.
(Date above based on benchtest are for reference only, comparison with that of other motor types is not recommended.)

Continued below

Type	Propeller	Throttle	Voltage (V)	Current (A)	Power (W)	RPM	Torque (N*m)	Thrust (g)	Efficiency (g/W)	Operating Temperature (°C)
AT2308 Long Shaft KV2600	APC 6*4	40%	11.20	9.08	101.56	14240	0.043	432	4.25	49 (Ambient Temperature:/)
		45%	11.16	10.29	114.80	14981	0.048	475	4.14	
		50%	11.12	11.62	129.07	15645	0.053	518	4.01	
		55%	11.09	12.80	141.78	16198	0.057	557	3.93	
		60%	11.06	14.02	154.91	16580	0.061	596	3.85	
		65%	11.02	15.26	167.99	17230	0.065	632	3.76	
		70%	10.99	16.46	180.71	17665	0.069	669	3.70	
		75%	10.95	17.73	194.07	18147	0.073	704	3.63	
		80%	10.90	19.73	214.93	18835	0.079	760	3.53	
		90%	10.73	25.03	268.46	20249	0.094	892	3.32	
		100%	10.65	26.89	286.24	20690	0.099	930	3.25	

Note: Motor temperature is motor surface temperature @100% throttle running 10mins.
(Date above based on benchtest are for reference only, comparion with that of other motor types is not recommended.)

Contents



Motor×1



Parts Bag×1

(Rubber WasherM6*12*2mm*1,Prop adaptor φ 17*24mm-M6*1,Washer (Non-slip design) 15*6.2*2mm *2,M6 Bullet connector*1,Cup-head set screwM2*6mm*4,Motor base φ16*8mm*1, 4 to 6 Collet-style prop adapterφ9*28*1,M6 Nut*1, C-Clips φ9*4*3.5mm*1,Hexagon set screwM2*2.5mm*2,Cross style motor mount19*16*3MM*1, Mount screwsM3*6mm*1)

Please check that your package contains all the above items before use, If something is missing, please contact online customer service or leave message to onsales@rctigermotor.com