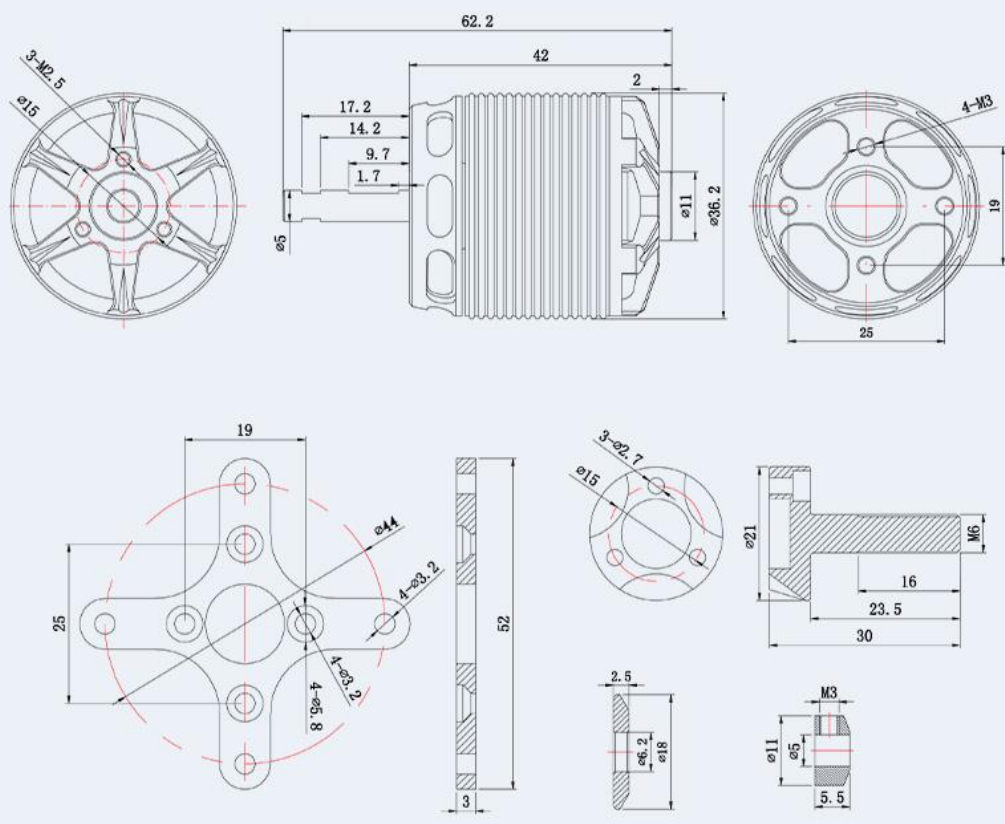


Product Drawing



Specifications

Test Item	Long Shaft KV880	Weight (Incl. Cable)	136g
Motor Dimensions	$\Phi 36.2 \times 62.2$ mm	Internal Resistance	34m Ω
Lead	Enameled Wire 100mm	Configuration	12N14P
Shaft Diameter	IN: 5mm OUT: 5mm	Rated Voltage(Lipo)	3-4S
Idle Current(10V)	1.98A	Peak Current(180s)	45A
Max. Power(180s)	626W	Recommendation	/
Test Item	Long Shaft KV1050	Weight (Incl. Cable)	144g
Motor Dimensions	$\Phi 36.2 \times 62.2$ mm	Internal Resistance	23.2m Ω
Lead	Enameled Wire 100mm	Configuration	12N14P
Shaft Diameter	IN: 5mm OUT: 5mm	Rated Voltage(Lipo)	3-4S
Idle Current(10V)	2.59A	Peak Current(180s)	67A
Max. Power(180s)	963W	Recommendation	/
Test Item	Long Shaft KV1250	Weight (Incl. Cable)	144g
Motor Dimensions	$\Phi 36.2 \times 62.2$ mm	Internal Resistance	16.8m Ω
Lead	Enameled Wire 100mm	Configuration	12N14P
Shaft Diameter	IN: 5mm OUT: 5mm	Rated Voltage(Lipo)	3-4S
Idle Current(10V)	3.44A	Peak Current(180s)	77A
Max. Power(180s)	1092W	Recommendation	/

Continued below

Test Report

Type	Propeller	Throttle	Voltage (V)	Current (A)	Power (W)	RPM	Torque (N*m)	Thrust (g)	Efficiency (g/W)	Operating Temperature (°C)
AS2820 Long Shaft KV880	APC 11*7	40%	15.82	9.59	151.73	6348	0.161	870	5.73	86 (Ambient Temperature:/)
		45%	15.78	11.20	176.80	6725	0.180	967	5.47	
		50%	15.73	12.99	204.45	7064	0.201	1068	5.23	
		55%	15.69	14.70	230.74	7414	0.219	1165	5.05	
		60%	15.66	16.42	257.01	7652	0.236	1265	4.92	
		65%	15.60	18.99	296.17	8012	0.264	1407	4.75	
		70%	15.54	21.38	332.29	8363	0.287	1527	4.60	
		75%	15.47	24.61	380.56	8794	0.316	1676	4.40	
		80%	15.38	28.65	440.58	9206	0.354	1854	4.21	
		90%	15.16	38.06	577.03	9952	0.430	2186	3.79	
		100%	15.08	41.45	625.12	10187	0.455	2284	3.65	
	APC 12*6	40%	15.81	9.83	155.36	6135	0.169	977	6.29	85 (Ambient Temperature:/)
		45%	15.77	11.51	181.55	6504	0.190	1090	6.00	
		50%	15.72	13.41	210.77	6848	0.212	1216	5.77	
		55%	15.68	15.31	239.98	7139	0.234	1343	5.60	
		60%	15.63	17.34	271.07	7466	0.255	1453	5.36	
		65%	15.57	20.28	315.76	7837	0.286	1638	5.19	
		70%	15.50	23.21	359.78	8171	0.315	1797	4.99	
		75%	15.40	27.23	419.43	8590	0.353	2000	4.77	
		80%	15.32	31.10	476.36	8977	0.388	2185	4.59	
		90%	15.09	41.18	621.45	9691	0.469	2616	4.21	
		100%	15.01	44.70	670.96	9892	0.495	2731	4.07	
	APC 13*6.5	40%	11.87	7.14	84.72	4419	0.122	651	7.69	81 (Ambient Temperature:/)
		45%	11.83	8.46	100.11	4714	0.137	748	7.47	
		50%	11.80	9.90	116.76	4969	0.150	853	7.30	
		55%	11.77	11.37	133.81	5238	0.165	941	7.03	
		60%	11.73	12.73	149.38	5466	0.180	1021	6.84	
		65%	11.68	14.95	174.59	5776	0.202	1135	6.50	
		70%	11.62	17.58	204.32	6118	0.230	1280	6.27	
		75%	11.55	20.51	237.01	6413	0.259	1435	6.06	
		80%	11.48	23.72	272.33	6723	0.287	1588	5.83	
		90%	11.32	31.15	352.50	7304	0.347	1907	5.41	
		100%	11.25	34.03	382.95	7507	0.366	2003	5.23	
	APC 14*7	40%	11.85	7.59	89.89	4064	0.139	718	7.99	78 (Ambient Temperature:/)
		45%	11.82	8.94	105.61	4328	0.156	809	7.66	
		50%	11.78	10.49	123.56	4594	0.174	903	7.31	
		55%	11.74	12.31	144.61	4868	0.194	1019	7.05	
		60%	11.69	14.90	174.10	5185	0.224	1180	6.77	
		65%	11.61	18.03	209.39	5512	0.258	1358	6.48	
		70%	11.54	21.50	248.13	5819	0.295	1532	6.18	
		75%	11.45	25.16	288.12	6105	0.328	1695	5.88	
		80%	11.36	29.08	330.41	6373	0.364	1856	5.62	
90%		11.17	37.89	423.16	6879	0.429	2200	5.20		
100%		11.09	41.18	456.76	7038	0.451	2283	5.00		

Note: Motor temperature is motor surface temperature @100% throttle running 3mins.
 (Date above based on benchtest are for reference only, comparion with that of other motor types is not recommended.)

Type	Propeller	Throttle	Voltage (V)	Current (A)	Power (W)	RPM	Torque (N*m)	Thrust (g)	Efficiency (g/W)	Operating Temperature (°C)
AS2820 Long Shaft KV1050	APC 11*5.5	40%	15.69	13.46	211.24	7536	0.184	1045	4.95	83 (Ambient Temperature:/)
		45%	15.62	15.89	248.06	7945	0.209	1193	4.81	
		50%	15.56	18.34	285.37	8366	0.232	1357	4.75	
		55%	15.51	20.60	319.45	8718	0.251	1476	4.62	
		60%	15.44	23.18	357.98	9055	0.274	1613	4.51	
		65%	15.38	25.73	395.88	9349	0.298	1748	4.41	
		70%	15.30	29.12	445.70	9732	0.327	1899	4.26	
		75%	15.20	33.73	512.54	10207	0.362	2089	4.08	
		80%	15.08	38.92	586.76	10611	0.406	2312	3.94	
		90%	14.78	51.95	767.85	11353	0.493	2684	3.50	
	100%	14.66	57.33	840.39	11587	0.530	2827	3.36		
	APC 11*8	40%	15.65	14.62	228.72	6840	0.216	1074	4.70	86 (Ambient Temperature:/)
		45%	15.58	17.37	270.54	7264	0.245	1208	4.47	
		50%	15.51	20.26	314.16	7648	0.274	1337	4.26	
		55%	15.44	23.25	359.04	7991	0.300	1455	4.05	
		60%	15.35	27.10	415.97	8389	0.336	1615	3.88	
		65%	15.26	31.00	472.85	8745	0.369	1758	3.72	
		70%	15.15	35.41	536.63	9151	0.404	1912	3.56	
		75%	15.02	41.29	620.28	9496	0.454	2055	3.31	
		80%	14.87	47.90	712.42	9851	0.504	2214	3.11	
		90%	14.56	61.59	896.73	10524	0.588	2537	2.83	
	100%	14.44	66.71	963.10	10751	0.614	2625	2.73		
	APC 12*6	40%	11.80	10.05	118.55	5477	0.138	788	6.65	79 (Ambient Temperature:/)
		45%	11.76	11.74	138.07	5818	0.154	871	6.31	
		50%	11.72	13.64	159.81	6123	0.173	984	6.16	
		55%	11.67	15.58	181.84	6427	0.190	1085	5.96	
		60%	11.63	17.34	201.73	6660	0.205	1176	5.83	
		65%	11.58	19.63	227.38	6956	0.225	1279	5.62	
		70%	11.51	22.62	260.46	7314	0.256	1407	5.40	
		75%	11.44	25.84	295.59	7649	0.283	1551	5.25	
		80%	11.35	29.78	338.05	7992	0.311	1717	5.08	
		90%	11.15	38.80	432.62	8645	0.371	2032	4.70	
	100%	11.06	42.88	474.20	8850	0.400	2176	4.59		
	APC 13*6.5	40%	11.74	10.62	124.77	4966	0.156	833	6.67	76 (Ambient Temperature:/)
		45%	11.69	12.70	148.44	5285	0.181	947	6.38	
		50%	11.64	14.78	172.11	5586	0.207	1045	6.07	
		55%	11.60	16.87	195.66	5838	0.226	1166	5.96	
		60%	11.53	19.80	228.23	6162	0.251	1304	5.71	
		65%	11.45	23.28	266.49	6501	0.277	1478	5.55	
		70%	11.36	27.12	308.01	6836	0.304	1639	5.32	
75%		11.27	31.05	349.92	7163	0.333	1795	5.13		
80%		11.17	35.56	397.05	7443	0.367	1974	4.97		
90%		10.94	45.54	498.19	8009	0.431	2300	4.62		
100%	10.83	50.16	543.39	8203	0.456	2427	4.47			

Note: Motor temperature is motor surface temperature @100% throttle running 3mins.
(Date above based on benchtest are for reference only, comparion with that of other motor types is not recommended.)

Continued below

Type	Propeller	Throttle	Voltage (V)	Current (A)	Power (W)	RPM	Torque (N*m)	Thrust (g)	Efficiency (g/W)	Operating Temperature (°C)
AS2820 Long Shaft KV1250	APC 9*6	40%	15.62	17.94	280.22	9631	0.187	1063	3.80	81 (Ambient Temperature:/)
		45%	15.54	20.90	324.84	10126	0.209	1178	3.63	
		50%	15.48	23.85	369.06	10584	0.230	1286	3.48	
		55%	15.41	26.58	409.61	11009	0.248	1381	3.37	
		60%	15.32	29.52	452.21	11368	0.268	1489	3.30	
		65%	15.29	32.20	492.31	11689	0.288	1583	3.22	
		70%	15.22	35.23	536.01	12064	0.306	1665	3.11	
		75%	15.13	38.91	588.82	12442	0.332	1780	3.02	
		80%	15.00	44.95	674.10	12969	0.369	1938	2.87	
		90%	14.69	58.47	859.10	13843	0.445	2206	2.57	
	100%	14.54	64.94	944.40	14225	0.474	2302	2.44		
	APC 10*5.5	40%	15.57	20.01	311.48	8847	0.216	1299	4.17	77 (Ambient Temperature:/)
		45%	15.48	23.67	366.42	9335	0.244	1460	3.98	
		50%	15.40	26.92	414.56	9717	0.268	1593	3.84	
		55%	15.32	30.63	469.18	10051	0.299	1753	3.74	
		60%	15.24	33.90	516.67	10395	0.320	1874	3.63	
		65%	15.16	37.51	568.73	10743	0.345	2013	3.54	
		70%	15.06	42.09	633.95	11156	0.377	2181	3.44	
		75%	14.93	47.60	710.79	11571	0.412	2366	3.33	
		80%	14.79	54.38	804.12	11985	0.452	2560	3.18	
		90%	14.44	69.58	1004.88	12731	0.532	2914	2.90	
	100%	14.28	76.51	1092.41	13033	0.557	3014	2.76		
	APC 11*8	40%	11.67	15.97	186.35	6314	0.179	898	4.82	72 (Ambient Temperature:/)
		45%	11.61	18.66	216.52	6709	0.201	1007	4.65	
		50%	11.53	21.78	251.20	7039	0.221	1134	4.52	
		55%	11.47	24.60	282.26	7339	0.239	1232	4.36	
		60%	11.39	28.22	321.31	7651	0.262	1339	4.17	
		65%	11.31	31.73	358.88	7957	0.285	1452	4.05	
		70%	11.22	35.64	400.00	8257	0.310	1568	3.92	
		75%	11.12	40.40	449.25	8565	0.341	1703	3.79	
		80%	11.00	45.86	504.33	8938	0.371	1832	3.63	
		90%	10.71	58.59	627.53	9516	0.439	2077	3.31	
	100%	10.59	63.87	676.24	9731	0.460	2167	3.20		
	APC 12*6	40%	11.67	15.95	186.10	6321	0.175	1042	5.60	69 (Ambient Temperature:/)
		45%	11.61	18.80	218.15	6701	0.198	1171	5.37	
		50%	11.53	21.87	252.21	7015	0.222	1309	5.19	
		55%	11.47	24.77	284.05	7333	0.243	1425	5.02	
		60%	11.38	28.50	324.36	7647	0.267	1570	4.84	
		65%	11.31	31.96	361.39	7937	0.290	1706	4.72	
		70%	11.22	36.04	404.20	8242	0.318	1862	4.61	
75%		11.13	40.14	446.61	8557	0.341	1992	4.46		
80%		10.99	46.03	505.98	8904	0.376	2181	4.31		
90%		10.72	58.35	625.38	9474	0.442	2528	4.04		
100%	10.58	64.05	677.98	9704	0.463	2640	3.89			

Note: Motor temperature is motor surface temperature @100% throttle running 3mins.
(Date above based on benchtest are for reference only, comparion with that of other motor types is not recommended.)

Contents



Motorx1



Parts Bagx1

Please check that your package contains all the above items before use, If something is missing, please contact online customer service or leave message to onlinesales@tmotor.com