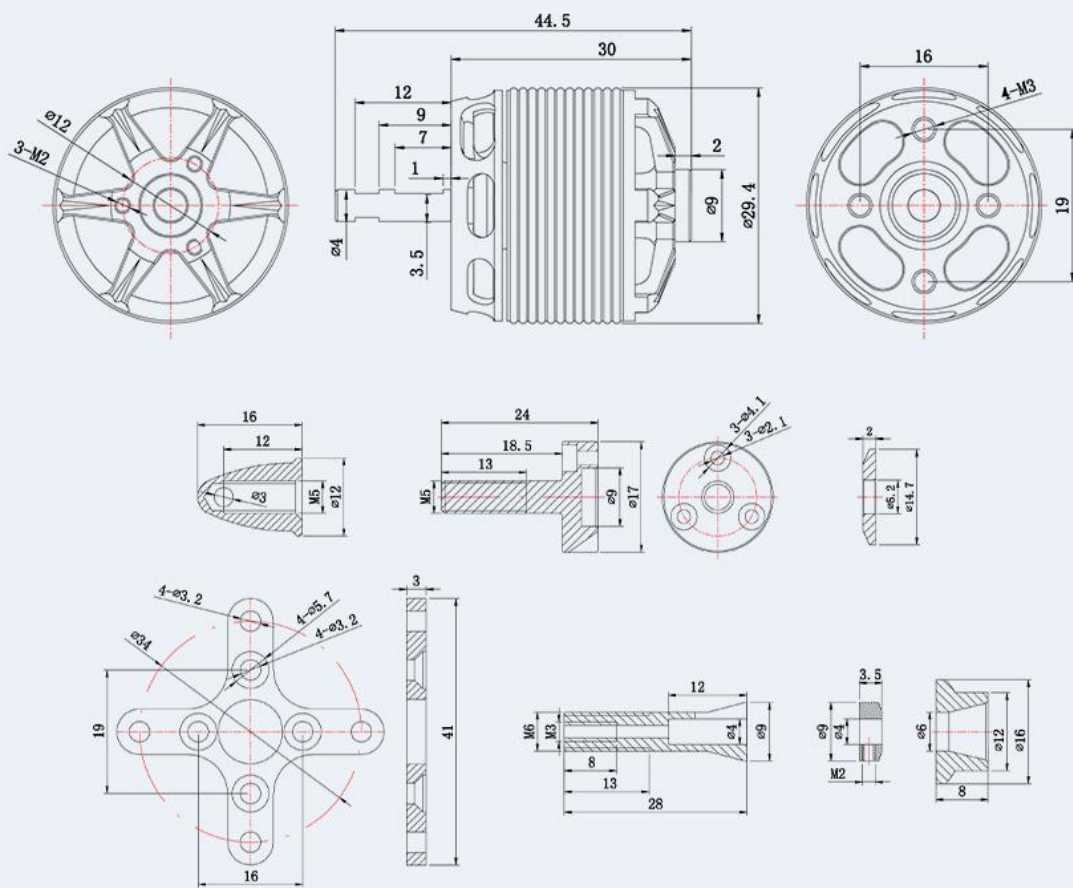


T-Motor AS2312

Product Drawing



Specifications

Test Item	Long Shaft KV1150	Weight (Incl. Cable)	63g
Motor Dimensions	Φ29.4*44.5mm	Internal Resistance	81mΩ
Lead	20#AWG 100mm	Configuration	12N14P
Shaft Diameter	IN : 4mm OUT : 4mm	Rated Voltage(Lipo)	3-4S
Idle Current(10V)	0.76A	Peak Current(180s)	23A
Max. Power(180s)	357W	Recommendation	/

Test Item	Long Shaft KV1400	Weight (Incl. Cable)	63g
Motor Dimensions	Φ29.4*44.5mm	Internal Resistance	49.8mΩ
Lead	20#AWG 100mm	Configuration	12N14P
Shaft Diameter	IN : 4mm OUT : 4mm	Rated Voltage(Lipo)	3S
Idle Current(10V)	1.05A	Peak Current(180s)	30A
Max. Power(180s)	334W	Recommendation	/

Test Report

Type	Propeller	Throttle	Voltage (V)	Current (A)	Power (W)	RPM	Torque (N*m)	Thrust (g)	Efficiency (g/W)	Operating Temperature (°C)
AS2312 Long Shaft KV1150	APC 8*6	40%	15.88	5.02	79.68	7405	0.072	394	4.95	81 (Ambient Temperature:)
		45%	15.87	5.91	93.82	7923	0.081	463	4.94	
		50%	15.85	6.89	109.23	8344	0.095	506	4.63	
		55%	15.83	7.89	124.93	8697	0.107	553	4.42	
		60%	15.80	9.11	143.83	9108	0.117	608	4.22	
		65%	15.77	10.32	162.75	9526	0.126	654	4.02	
		70%	15.74	11.81	185.82	9921	0.139	726	3.91	
		75%	15.69	13.86	217.42	10453	0.153	815	3.75	
		80%	15.64	16.18	253.03	10917	0.167	912	3.60	
		90%	15.51	21.49	333.35	11816	0.202	1088	3.26	
	100%	15.47	23.10	357.33	12097	0.207	1129	3.16		
	APC 9*6	40%	11.88	3.80	45.10	5292	0.055	296	6.57	72 (Ambient Temperature:)
		45%	11.87	4.47	53.04	5618	0.062	338	6.38	
		50%	11.86	5.19	61.51	5972	0.068	382	6.21	
		55%	11.84	5.97	70.65	6278	0.076	425	6.01	
		60%	11.82	6.87	81.22	6597	0.083	472	5.81	
		65%	11.79	8.17	96.24	7024	0.095	533	5.54	
		70%	11.76	9.47	111.38	7409	0.105	589	5.29	
		75%	11.72	10.97	128.63	7786	0.117	655	5.09	
		80%	11.68	12.79	149.46	8164	0.130	731	4.89	
		90%	11.58	17.00	196.84	8898	0.163	867	4.40	
	100%	11.55	18.61	214.84	9147	0.177	911	4.24		
	APC 10*5.5	40%	11.88	3.99	47.42	4873	0.060	358	7.56	69 (Ambient Temperature:)
		45%	11.86	4.84	57.44	5215	0.070	416	7.24	
		50%	11.84	5.63	66.70	5498	0.078	466	6.98	
		55%	11.82	6.83	80.78	5864	0.090	536	6.63	
		60%	11.78	8.39	98.82	6248	0.104	619	6.27	
		65%	11.75	9.89	116.15	6635	0.116	694	5.98	
		70%	11.70	11.74	137.39	7015	0.122	764	5.56	
		75%	11.66	13.61	158.68	7348	0.136	847	5.34	
80%		11.61	15.78	183.22	7656	0.153	937	5.12		
90%		11.50	20.45	235.18	8262	0.187	1117	4.75		
100%	11.46	22.10	253.27	8430	0.196	1167	4.61			

Note: Motor temperature is motor surface temperature @100% throttle running 3mins.
(Date above based on benchtest are for reference only, comparison with that of other motor types is not recommended.)

Type	Propeller	Throttle	Voltage (V)	Current (A)	Power (W)	RPM	Torque (N*m)	Thrust (g)	Efficiency (g/W)	Operating Temperature (°C)
AS2312 Long Shaft KV1400	APC 8*6	40%	11.86	5.76	68.31	6902	0.061	340	4.98	72 (Ambient Temperature/)
		45%	11.84	6.80	80.53	7308	0.070	386	4.79	
		50%	11.81	7.81	92.32	7653	0.076	426	4.62	
		55%	11.79	8.90	104.90	8115	0.084	488	4.65	
		60%	11.77	10.07	118.42	8454	0.091	531	4.49	
		65%	11.73	11.41	133.82	8802	0.100	582	4.35	
		70%	11.70	12.79	149.63	9173	0.109	634	4.24	
		75%	11.65	14.85	172.97	9618	0.123	707	4.09	
		80%	11.60	17.14	198.86	10082	0.135	773	3.89	
		90%	11.48	22.37	256.76	10912	0.163	912	3.55	
	100%	11.43	24.55	280.46	11160	0.181	949	3.38		
	APC 9*6	40%	11.85	6.19	73.38	6169	0.073	408	5.56	66 (Ambient Temperature/)
		45%	11.82	7.35	86.86	6558	0.083	463	5.33	
		50%	11.79	8.59	101.30	6902	0.092	519	5.12	
		55%	11.76	10.08	118.59	7291	0.103	580	4.89	
		60%	11.72	11.97	140.31	7737	0.116	652	4.65	
		65%	11.67	14.01	163.56	8158	0.132	717	4.38	
		70%	11.63	15.93	185.18	8487	0.151	774	4.18	
		75%	11.57	18.39	212.78	8885	0.166	852	4.01	
		80%	11.51	21.06	242.35	9279	0.181	940	3.88	
90%		11.36	27.31	310.25	9967	0.206	1116	3.60		
100%	11.31	29.54	334.23	10161	0.214	1162	3.48			

Note: Motor temperature is motor surface temperature @100% throttle running 3mins.
(Date above based on benchtest are for reference only, comparison with that of other motor types is not recommended.)

Contents



Motorx1



Parts Bagx1

Please check that your package contains all the above items before use, If something is missing, please contact online customer service or leave message to onlinesales@tmotor.com