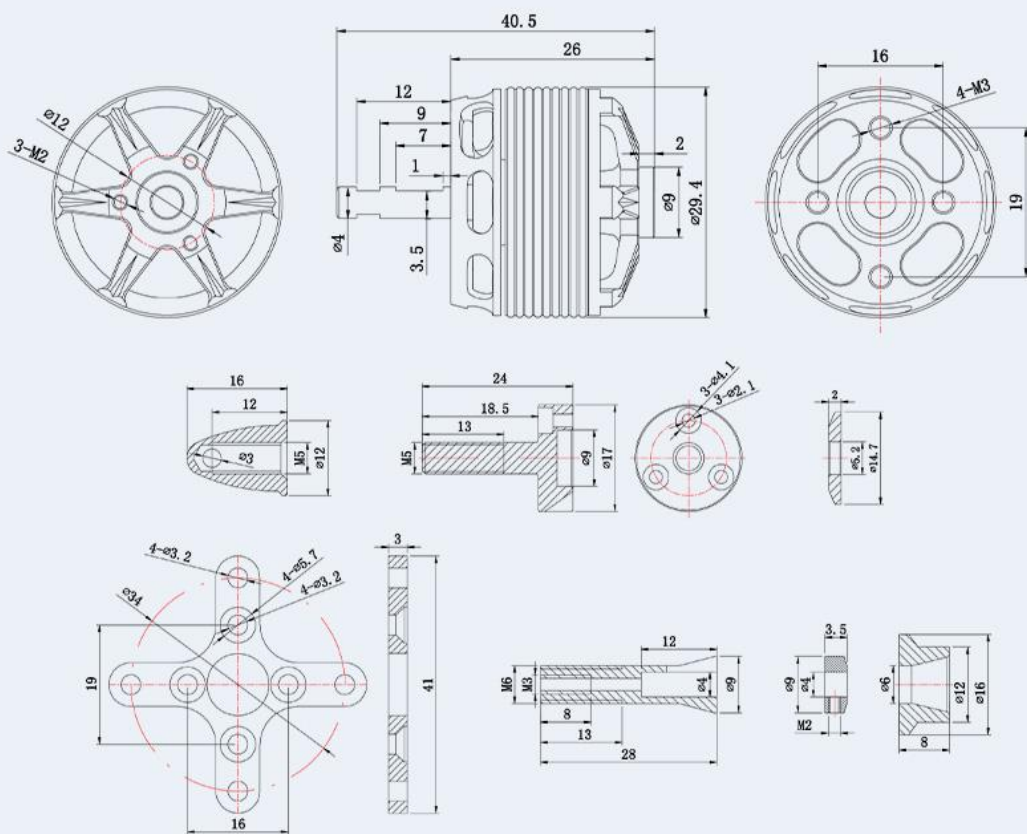


T-Motor AS2308

Product Drawing



Specifications

Test Item	Long Shaft KV1450	Weight (Incl. Cable)	49g
Motor Dimensions	Φ29.4*40.5mm	Internal Resistance	88mΩ
Lead	20#AWG 100mm	Configuration	12N14P
Shaft Diameter	IN : 4mm OUT : 4mm	Rated Voltage(Lipo)	3S
Idle Current(10V)	0.74A	Peak Current(180s)	24A
Max. Power(180s)	275W	Recommendation	/

Test Item	Long Shaft KV2600	Weight (Incl. Cable)	49g
Motor Dimensions	Φ29.4*40.5mm	Internal Resistance	29.5mΩ
Lead	20#AWG 100mm	Configuration	12N14P
Shaft Diameter	IN : 4mm OUT : 4mm	Rated Voltage(Lipo)	3-4S
Idle Current(10V)	1.62A	Peak Current(180s)	29A
Max. Power(180s)	326W	Recommendation	/

Test Report

Type	Propeller	Throttle	Voltage (V)	Current (A)	Power (W)	RPM	Torque (N*m)	Thrust (g)	Efficiency (g/W)	Operating Temperature (°C)
AS2308 Long Shaft KV1450	APC 8*6	40%	11.90	4.21	50.05	6209	0.050	267	5.34	78 (Ambient Temperature:)
		45%	11.89	5.02	59.64	6595	0.056	306	5.13	
		50%	11.86	5.92	70.24	6989	0.063	344	4.90	
		55%	11.84	7.00	82.83	7383	0.072	386	4.66	
		60%	11.82	8.12	95.95	7820	0.080	435	4.53	
		65%	11.79	9.50	111.92	8299	0.088	507	4.53	
		70%	11.75	10.93	128.50	8689	0.097	563	4.38	
		75%	11.71	12.76	149.41	9117	0.110	621	4.15	
		80%	11.66	14.69	171.37	9527	0.118	673	3.93	
		90%	11.56	19.32	223.25	10264	0.150	782	3.50	
	100%	11.52	20.53	236.53	10418	0.157	798	3.37		
	APC 9*6	40%	11.89	4.43	52.64	5458	0.058	314	5.96	81 (Ambient Temperature:)
		45%	11.87	5.44	64.56	5874	0.067	366	5.68	
		50%	11.84	6.66	78.82	6318	0.076	425	5.40	
		55%	11.81	8.11	95.74	6761	0.086	487	5.08	
		60%	11.77	9.88	116.24	7206	0.099	558	4.80	
		65%	11.72	11.80	138.38	7645	0.114	622	4.50	
		70%	11.68	13.57	158.50	7965	0.132	666	4.20	
		75%	11.63	15.54	180.79	8287	0.143	732	4.05	
80%		11.58	17.74	205.43	8609	0.153	797	3.88		
90%		11.47	22.78	261.25	9202	0.169	926	3.55		
100%	11.44	23.98	274.36	9273	0.172	946	3.45			

Note: Motor temperature is motor surface temperature @100% throttle running 3mins.
(Date above based on benchtest are for reference only, comparison with that of other motor types is not recommended.)

Continued below

Type	Propeller	Throttle	Voltage (V)	Current (A)	Power (W)	RPM	Torque (N*m)	Thrust (g)	Efficiency (g/W)	Operating Temperature (°C)
AS2308 Long Shaft KV2600	APC 6*4	40%	11.77	9.11	107.23	14546	0.048	386	3.60	91 (Ambient Temperature:)
		45%	11.74	10.39	121.93	15297	0.053	437	3.59	
		50%	11.71	11.61	135.98	15941	0.058	477	3.51	
		55%	11.68	12.92	150.92	16663	0.063	521	3.45	
		60%	11.65	14.26	166.22	17178	0.067	563	3.39	
		65%	11.62	15.57	180.85	17689	0.071	604	3.34	
		70%	11.59	16.97	196.69	18197	0.076	644	3.28	
		75%	11.56	18.31	211.65	18750	0.081	679	3.21	
		80%	11.51	20.63	237.40	19429	0.091	744	3.13	
		90%	11.37	26.31	299.24	21104	0.106	872	2.91	
		100%	11.32	28.81	325.99	21690	0.121	909	2.79	

Note: Motor temperature is motor surface temperature @100% throttle running 3mins.
(Date above based on benchtest are for reference only, comparison with that of other motor types is not recommended.)

Contents



Motorx1



Parts Bagx1

Please check that your package contains all the above items before use, If something is missing, please contact online customer service or leave message to onlinesales@tmotor.com