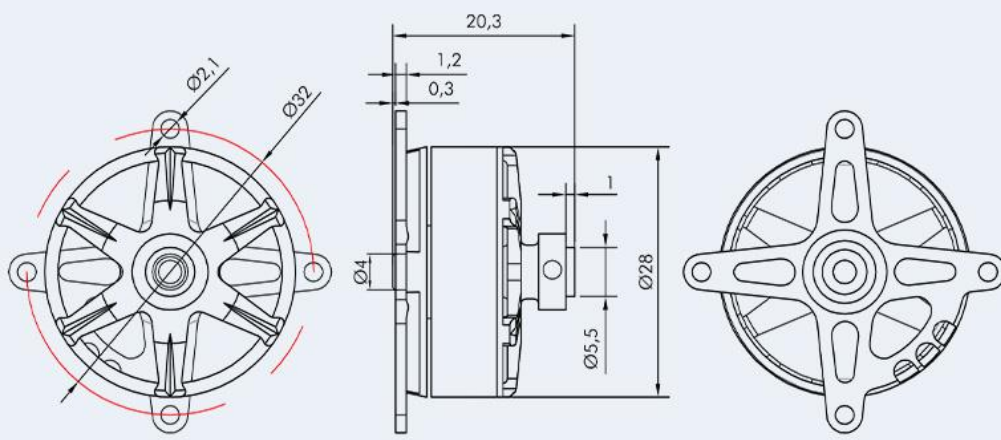


**T-Motor AS2306**

**Product Drawing**



**Specifications**

Test Item	KV1500 Short Shaft	Weight (Incl. Cable)	27.6g
Motor Dimensions	Short Shaft Φ28*19mm	Internal Resistance	96.5mΩ
Lead	Enameled Wire 40mm	Configuration	12N14P
Shaft Diameter	IN : 4mm OUT : 3mm	Rated Voltage(Lipo)	2-3S
Idle Current(10V)	0.7A	Peak Current(180s)	16A
Max. Power(180s)	170W	Recommendation	/
Test Item	KV1900 Short Shaft	Weight (Incl. Cable)	28.3g
Motor Dimensions	Short Shaft Φ28*19mm	Internal Resistance	59mΩ
Lead	Enameled Wire 40mm	Configuration	12N14P
Shaft Diameter	IN : 4mm OUT : 3mm	Rated Voltage(Lipo)	2-3S
Idle Current(10V)	0.95A	Peak Current(180s)	19A
Max. Power(180s)	157W	Recommendation	/
Test Item	KV2300 Short Shaft	Weight (Incl. Cable)	28.5g
Motor Dimensions	Short Shaft Φ28*19mm	Internal Resistance	41mΩ
Lead	Enameled Wire 40mm	Configuration	12N14P
Shaft Diameter	IN : 4mm OUT : 3mm	Rated Voltage(Lipo)	2-3S
Idle Current(10V)	1.2A	Peak Current(180s)	25A
Max. Power(180s)	240W	Recommendation	/

**Test Report**

Type	Propeller	Throttle	Voltage (V)	Current (A)	Power (W)	RPM	Torque (N*m)	Thrust (g)	Efficiency (g/W)	Operating Temperature (°C)
AS2306 Short Shaft KV1500	GWS 8040	40%	11.85	3.01	35.72	7164	0.031	266	7.44	68 (Ambient Temperature:)
		45%	11.82	3.64	43.06	7662	0.036	302	7.02	
		50%	11.79	4.29	50.57	8080	0.040	340	6.73	
		55%	11.75	5.03	59.07	8514	0.045	379	6.41	
		60%	11.71	5.92	69.30	9027	0.050	423	6.10	
		65%	11.52	6.87	79.18	9431	0.056	473	5.98	
		70%	11.41	8.06	92.00	9983	0.062	524	5.69	
		75%	11.28	9.67	109.03	10505	0.070	591	5.42	
		80%	11.20	11.22	125.57	10954	0.077	649	5.16	
		90%	11.04	14.88	164.19	11810	0.091	769	4.69	
	100%	11.08	15.46	171.27	12014	0.093	787	4.60		
	GWS 9050	40%	7.90	2.15	16.99	4428	0.023	164	9.64	53 (Ambient Temperature:)
		45%	7.87	2.61	20.52	4707	0.026	189	9.19	
		50%	7.85	3.19	25.01	5011	0.030	218	8.71	
		55%	7.81	3.86	30.10	5347	0.034	251	8.33	
		60%	7.76	4.72	36.63	5714	0.039	289	7.90	
		65%	7.70	5.67	43.62	6056	0.044	328	7.52	
		70%	7.64	6.75	51.53	6395	0.049	370	7.18	
		75%	7.57	7.97	60.35	6757	0.055	415	6.88	
		80%	7.49	9.22	69.04	7055	0.060	455	6.59	
90%		7.34	12.11	88.84	7671	0.072	542	6.10		
100%	7.32	12.45	91.15	7742	0.073	547	6.00			
		40%	7.87	2.36	18.61	3548	0.027	173	9.31	
		45%	7.84	3.03	23.73	3888	0.031	207	8.72	

Continued below

GWS 1060	50%	7.79	3.90	30.39	4222	0.036	242	7.97	68 (Ambient Temperature:/)
	55%	7.72	4.91	37.92	4539	0.044	285	7.53	
	60%	7.65	6.15	47.08	4906	0.051	336	7.14	
	65%	7.56	7.42	56.12	5182	0.058	373	6.64	
	70%	7.43	8.87	65.86	5473	0.064	413	6.27	
	75%	7.47	10.57	79.01	5787	0.072	462	5.84	
	80%	7.34	12.03	88.30	6017	0.078	493	5.59	
	90%	7.05	15.21	107.31	6383	0.088	564	5.25	
	100%	7.08	15.56	110.15	6449	0.089	569	5.17	

Note: Motor temperature is motor surface temperature @100% throttle running 3mins.  
(Date above based on benchtest are for reference only, comparion with that of other motor types is not recommended.)

Type	Propeller	Throttle	Voltage (V)	Current (A)	Power (W)	RPM	Torque (N*m)	Thrust (g)	Efficiency (g/W)	Operating Temperature (°C)
AS2306 Short Shaft KV1900	GWS 7035	40%	11.59	3.90	45.24	11086	0.027	276	6.10	65 (Ambient Temperature:/)
		45%	11.44	4.56	52.19	11720	0.029	308	5.89	
		50%	11.37	5.28	60.07	12308	0.033	344	5.73	
		55%	11.35	5.96	67.69	12833	0.036	380	5.61	
		60%	11.29	6.55	73.95	13316	0.038	407	5.50	
		65%	11.22	7.16	80.31	13685	0.041	435	5.41	
		70%	11.18	7.82	87.40	14048	0.044	463	5.30	
		75%	11.18	8.90	99.49	14727	0.049	511	5.14	
		80%	11.13	10.19	113.35	15403	0.054	564	4.97	
		90%	11.10	13.87	153.97	16961	0.067	698	4.53	
		100%	11.01	14.20	156.34	17056	0.069	708	4.53	
		40%	7.81	3.12	24.39	6162	0.024	198	8.12	
		45%	7.79	3.78	29.42	6569	0.027	228	7.74	
AS2306 Short Shaft KV1900	GWS 8040	50%	7.76	4.42	34.32	6959	0.030	255	7.42	55 (Ambient Temperature:/)
		55%	7.72	5.07	39.15	7339	0.033	282	7.20	
		60%	7.68	5.84	44.81	7716	0.036	311	6.94	
		65%	7.62	6.69	51.00	8109	0.040	343	6.73	
		70%	7.56	7.78	58.81	8534	0.044	382	6.49	
		75%	7.49	9.06	67.86	9011	0.049	425	6.26	
		80%	7.32	10.31	75.49	9345	0.054	462	6.12	
		90%	7.11	13.41	95.32	10088	0.064	544	5.70	
		100%	7.02	13.81	97.04	10146	0.064	549	5.66	
	GWS 9050	40%	7.48	3.42	25.59	4860	0.028	207	8.08	67 (Ambient Temperature:/)
		45%	7.47	4.23	31.63	5234	0.033	238	7.52	
		50%	7.39	5.15	38.10	5578	0.037	274	7.19	
		55%	7.49	6.43	48.11	6070	0.044	331	6.88	
		60%	7.41	7.74	57.30	6454	0.050	378	6.60	
		65%	7.31	9.24	67.52	6816	0.056	426	6.31	
		70%	7.15	10.83	77.38	7142	0.062	470	6.08	
		75%	7.03	12.53	88.15	7494	0.068	519	5.88	
		80%	6.95	14.41	100.11	7806	0.074	562	5.61	
		90%	6.93	19.27	133.51	8516	0.089	680	5.09	
100%	6.85	19.51	133.63	8538	0.090	679	5.08			

Note: Motor temperature is motor surface temperature @100% throttle running 3mins.  
(Date above based on benchtest are for reference only, comparion with that of other motor types is not recommended.)

Type	Propeller	Throttle	Voltage (V)	Current (A)	Power (W)	RPM	Torque (N*m)	Thrust (g)	Efficiency (g/W)	Operating Temperature (°C)
AS2306 Short Shaft KV1900	GWS 7035	40%	11.46	6.00	68.77	12433	0.033	349	5.08	74 (Ambient Temperature:/)
		45%	11.39	7.07	80.54	13129	0.037	394	4.89	
		50%	11.43	8.24	94.20	13868	0.042	442	4.69	
		55%	11.31	9.30	105.19	14415	0.045	483	4.59	
		60%	11.20	10.16	113.84	14808	0.049	517	4.54	
		65%	11.17	11.13	124.27	15303	0.053	556	4.47	
		70%	11.08	12.24	135.64	15774	0.056	594	4.38	
		75%	11.03	13.85	152.73	16485	0.062	651	4.26	
		80%	11.02	15.90	175.16	17259	0.069	722	4.12	
		90%	10.87	21.19	230.37	18734	0.084	875	3.80	
		100%	10.82	21.88	236.77	18852	0.086	888	3.75	
AS2306 Short Shaft KV2300	GWS 8040	40%	7.49	4.69	35.15	6810	0.028	234	6.65	52 (Ambient Temperature:/)
		45%	7.39	5.57	41.13	7187	0.031	265	6.45	
		50%	7.37	6.54	48.17	7607	0.035	297	6.17	
		55%	7.32	7.55	55.31	7997	0.039	332	6.00	
		60%	7.24	8.50	61.53	8354	0.042	361	5.87	
		65%	7.28	9.92	72.28	8872	0.048	413	5.71	
		70%	7.20	11.44	82.36	9266	0.052	452	5.49	
		75%	7.09	13.29	94.25	9784	0.058	503	5.33	
		80%	7.09	15.57	110.42	10287	0.066	564	5.11	
		90%	6.92	20.18	139.55	11136	0.076	658	4.71	
		100%	6.66	19.75	131.48	10995	0.074	630	4.79	
GWS 9050	40%	7.65	5.37	41.08	5405	0.035	257	6.25	68 (Ambient Temperature:/)	
	45%	7.48	6.41	47.97	5749	0.039	292	6.08		
	50%	7.38	7.71	56.87	6104	0.045	336	5.90		
	55%	7.26	9.27	67.36	6478	0.050	378	5.61		
	60%	7.20	11.12	80.08	6893	0.057	433	5.41		
	65%	7.04	13.09	92.19	7228	0.064	483	5.24		
	70%	6.99	15.42	107.81	7648	0.071	538	5.00		

Continued below



	75%	6.97	18.28	127.31	8105	0.080	605	4.76
	80%	6.92	20.95	144.98	8434	0.088	666	4.59
	90%	6.70	26.56	177.88	8965	0.100	754	4.24
	100%	6.73	27.38	184.31	9023	0.101	766	4.16

Note: Motor temperature is motor surface temperature @100% throttle running 3mins.  
 (Date above based on benchtest are for reference only, comparison with that of other motor types is not recommended.)

## Contents



Motor x 1



Parts Bag x 1

( 2.0\*20mm O ring\*2,M2\*5mm cross self tapping screw\*4  
 10\*5.5\*7\*2.5mm Aluminum Prop Adapter\*1  
 10\*5.5\*8\*2.5mm Aluminum Prop Adapter \*1 )

Please check that your package contains all the above items before use, If something is missing, please contact online customer service or leave message to [onlinesales@tmotor.com](mailto:onlinesales@tmotor.com)