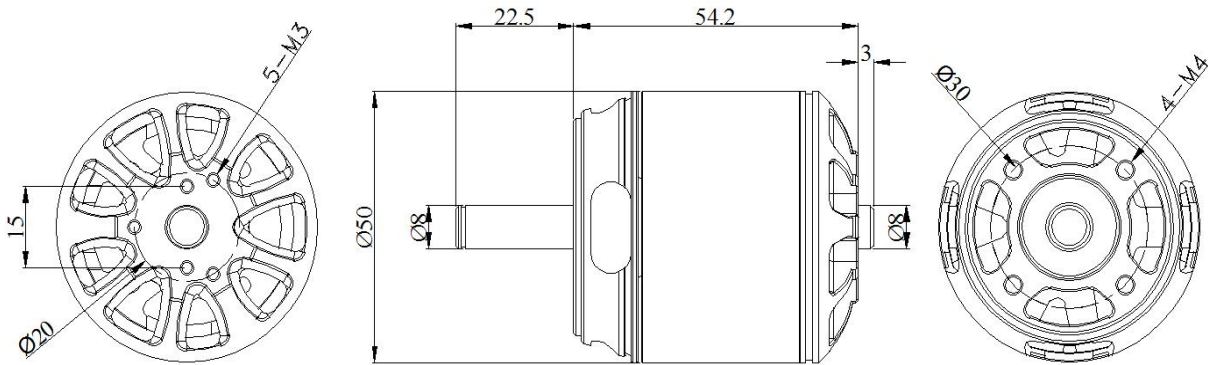


## Arthur EVO 5055 Motor 基本参数

KV value	<b>KV600</b>	Weight (Incl. cable)	<b>347.2g</b>
Motor	<b>φ50 x54.2mm</b>	Internal Resistance	<b>0.079Ω</b>
Motor Cable	Direct Outlet 90(+5, -5) Solder 4.0 Male	Configuration	<b>12N/14P</b>
Shaft	<b>8mm</b>	Rated Voltage (Lipo)	<b>3-6S</b>
Idle Current	<b>2.78/10V</b>	Peak Current (60S)	<b>111.5A</b>
Max power	<b>2676W</b>	Max Pull	<b>6726g</b>

### MOTOR OUTLINES:



Item NO.	Prop	Throttle	Volts (V)	Amps (A)	Watts (W)	Efficiency (g/W)	Operating temperature(°C)
EVO5055 600KV	13*8E 2R	50%	24	19.5	468.0	#REF!	51.8°C
		60%	24	28.4	681.6	#REF!	
		70%	24	41.2	988.8	#REF!	
		80%	24	59.1	1418.4	#REF!	
		90%	24	79.5	1908.0	#REF!	
		100%	24	99.6	2390.4	#REF!	
EVO5055 600KV	14*7E 2R	50%	24	18.1	434.4	#REF!	43.2°C
		60%	24	24.1	578.4	#REF!	
		70%	24	34.1	818.4	#REF!	
		80%	24	49	1176.0	#REF!	
		90%	24	65.8	1579.2	#REF!	
		100%	24	86.6	2078.4	#REF!	

EVO5055 600KV	15*8E 2R	50%	24	19.4	465.6	#REF!	53.2°C
		60%	24	29.6	710.4	#REF!	
		70%	24	44.5	1068.0	#REF!	
		80%	24	64.6	1550.4	#REF!	
		90%	24	86.3	2071.2	#REF!	
		100%	24	101.8	2443.2	#REF!	
EVO5055 600KV	16*8E 2R	50%	24	22.2	532.8	#REF!	59.3°C
		60%	24	35.2	844.8	#REF!	
		70%	24	52.1	1250.4	#REF!	
		80%	24	74.1	1778.4	#REF!	
		90%	24	94.4	2265.6	#REF!	
		100%	24	111.5	2676.0	#REF!	

Notes: The test condition of temperature is motor surface temperature in 100% throttle while the motor run 15 s.environment temperature 26°C