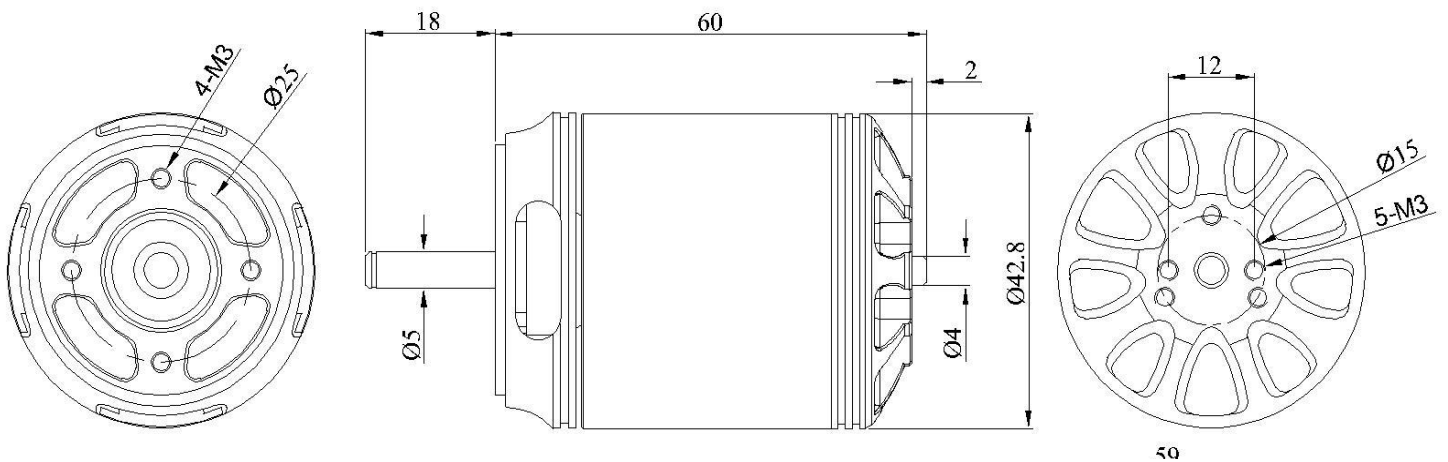


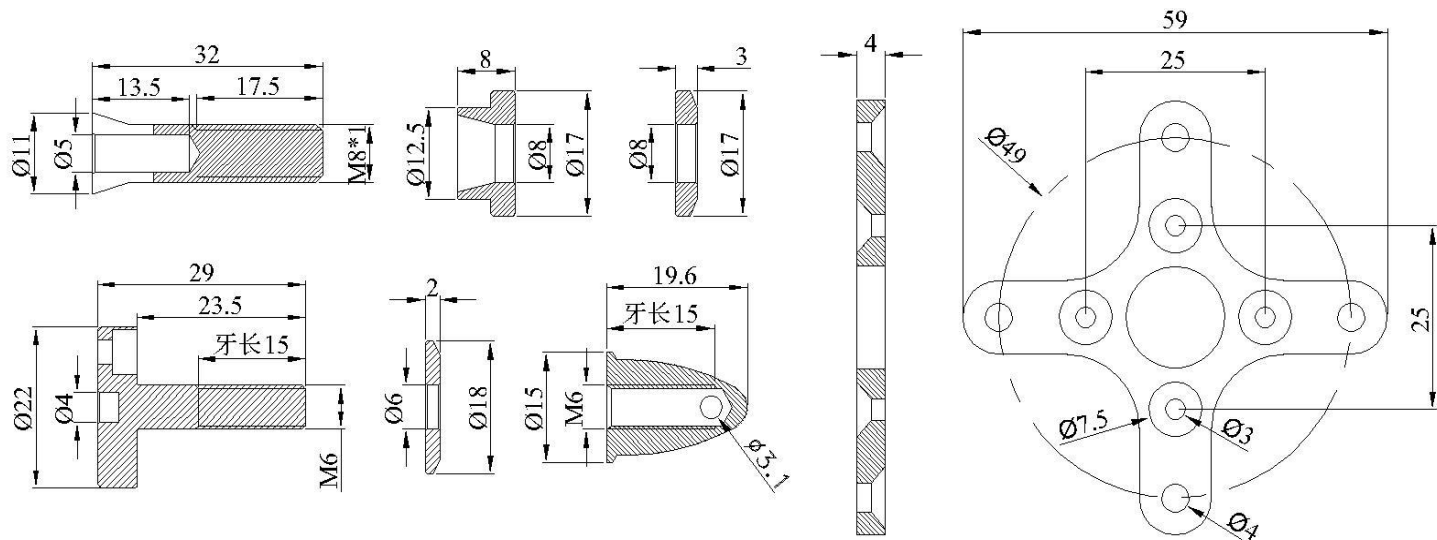
## D4260 EVO Motor 基本参数

KV value	KV600	Weight (Incl.cable)	286g
Motor	φ42.8 x60mm	Internal Resistance	34mΩ
Motor Cable	85mm(4.0)	Configuration	12N14P
Shaft	5mm	Rated Voltage (Lipo)	5-6S
Idle Current	1.44A	Peak Current (60S)	59.92A
Max Power	1272.7W	Max Pull	4080g(6S/APC14x7)

KV value	KV800	Weight (Incl.cable)	286g
Motor	φ42.8 x60mm	Internal Resistance	21.2mΩ
Motor Cable	85mm(4.0)	Configuration	12N14P
Shaft	5mm	Rated Voltage (Lipo)	5-6S
Idle Current	2.45A	Peak Current (60S)	64.39A
Max Power	1354W	Max Pull	4152g(6S/APC12x6)

### MOTOR OUTLINES:





### MOTOR TECHNICAL DATA:

Item NO.	Volts(V)	Prop	Throttle(%)	CURRENT (A)	Power(W)	Thrust (g)	PRM	Efficiency (g/W)	Operating temperature(°C)
D4260-600KV(EVO)	22.72	APC 12x6	40%	12.17	276.5	1365	7575	4.9	48.0°C
	22.64		50%	17.53	396.9	1773	8483	4.5	
	22.53		60%	24.19	545.0	2205	9345	4.0	
	22.33		70%	37.12	828.9	2901	10577	3.5	
	22.11		80%	46.55	1029.2	3514	11488	3.4	
	22.10		90%	52.61	1162.7	3860	11472	3.3	
	22.10		100%	56.77	1254.6	4015	11464	3.2	
	22.71	APC 14x7	40%	14.18	322.0	1672	6660	5.2	56.2°C
	22.59		50%	21.93	495.4	2276	7630	4.6	
	22.40		60%	32.55	729.1	3080	8678	4.2	
	21.96		70%	40.34	885.9	3650	9699	4.1	
	21.66		80%	45.42	983.8	3739	9455	3.8	
	21.40		90%	52.90	1132.1	3874	9420	3.4	
	21.24		100%	59.92	1272.7	4080	9384	3.2	
D4260-800KV(EVO)	22.46	APC 12x6	40%	21.40	480.6	1950	8823	4.1	57.6°C
	22.32		50%	31.22	696.8	2456	9848	3.5	
	22.11		60%	38.67	855.0	2876	10929	3.4	
	21.69		70%	42.61	924.2	3388	11161	3.7	
	21.38		80%	51.77	1106.8	3680	11154	3.3	
	21.20		90%	56.70	1202.0	3874	11147	3.2	
	21.03		100%	64.39	1354.1	4152	11059	3.1	
	22.54	APC 12x6	40%	25.10	565.8	2398	7757	4.2	59.1°C
	22.25		50%	41.97	933.8	3343	8925	3.6	
	22.06		60%	53.44	1178.9	3661	9283	3.1	
	21.80		70%	53.26	1161.1	3574	9230	3.1	
	21.63		80%	53.33	880.0	3632	9271	4.1	
	21.44		90%	53.51	940.6	3637	9255	3.9	
	20.91		100%	53.52	1119.1	3646	9215	3.3	

Notes: The test condition of temperature is motor surface temperature in 100% throttle while the motor run 15 s.environment temperature 26°C