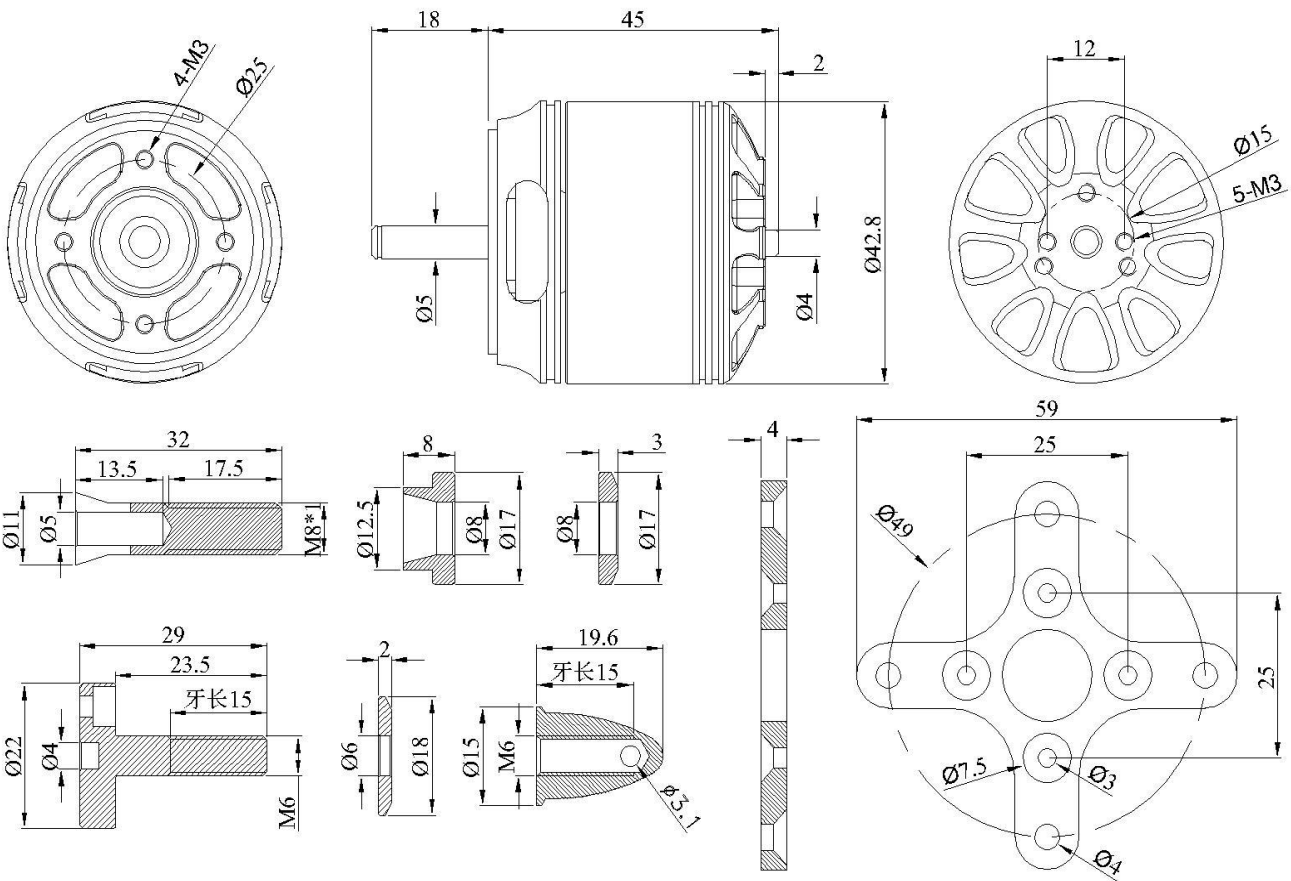


D4245EVO Motor 基本参数

KV	KV700	Weight (Include Cable)	173.5g
Motor Size	φ42.8 x45mm	Internal Resistance	45.4mΩ
Wire	85mm(4.0)	Configu-ration	12N14P
Shaft diameter	5mm	Operating Voltage (Lipo)	5-6S
No-load Current	1.47A	Max Current (60S)	55.63A
Max Power	1013W	Max Pull	3517g(5S/APC14x7)

KV	KV800	Weight (Include Cable)	173.5g
Motor Size	φ42.8 x45mm	Internal Resistance	30.4mΩ
Wire	85mm(4.0)	Configu-ration	12N14P
Shaft diameter	5mm	Operating Voltage (Lipo)	5-6S
No-load Current	1.7A	Max Current (60S)	58.6A
Max Power	1210.7W	Max Pull	3635g(6S/APC12x6)

MOTOR OUTLINES:



MOTOR TECHNICAL DATA:

Item NO.	Volts(V)	Prop	Throttle(%)	CURRENT (A)	Power(W)	Thrust (g)	PRM	Efficiency (g/W)	Operating temperature(°C)
D4245-700KV(EVO)	18.50	APC 12x6	40%	6.12	113.2	835	5863	7.4	48.1°C
	18.45		50%	8.67	160.0	1012	6549	6.3	
	18.39		60%	12.36	227.3	1305	7319	5.7	
	18.28		70%	17.59	321.5	1661	8139	5.2	
	18.17		80%	24.12	438.3	2012	8884	4.6	
	18.09		90%	33.00	597.0	2425	9687	4.1	
	17.88		100%	36.43	651.4	2557	9943	3.9	
	18.86	APC 13x6.5	40%	6.76	127.5	896	4922	7.0	52.2°C
	18.82		50%	11.53	217.0	1286	5833	5.9	
	18.60		60%	18.03	335.4	1666	6659	5.0	
	18.40		70%	26.60	489.4	2068	7367	4.2	
	18.14		80%	37.18	674.4	2506	7985	3.7	
	18.02		90%	49.48	891.6	2883	8572	3.2	
	17.97		100%	54.48	979.0	3025	8727	3.1	
	18.86	APC 14x7	40%	6.76	127.5	898	4902	7.0	58.4°C
	18.75		50%	11.22	210.4	1306	5794	6.2	
	18.66		60%	18.21	339.8	1842	6743	5.4	
	18.55		70%	26.83	497.7	2341	7511	4.7	
	18.47		80%	36.72	678.2	2820	8154	4.2	
	18.31		90%	49.33	903.2	3324	8736	3.7	
	18.21		100%	55.63	1013.0	3517	8946	3.5	
	22.11	APC 12x6	40%	7.51	166.0	1011	6575	6.1	60.3°C
	22.01		50%	11.23	247.2	1350	7437	5.5	
	21.88		60%	16.93	370.4	1780	8390	4.8	
	21.76		70%	23.89	519.8	2192	9286	4.2	
	21.65		80%	33.22	719.2	2657	10121	3.7	
	21.49		90%	45.21	971.6	3077	10930	3.2	
	21.31		100%	49.92	1063.8	3177	11184	3.0	
18.78	APC 12x6	40%	11.88	223.1	1171	7086	5.2	52.6°C	
18.46		50%	16.57	305.9	1474	7823	4.8		
18.19		60%	22.20	403.8	1754	8535	4.3		
18.06		70%	30.02	542.2	2182	9320	4.0		
17.84		80%	41.86	746.8	2590	10192	3.5		
17.66		90%	56.94	1005.6	3104	11017	3.1		
17.53		100%	59.60	1044.8	3180	11848	3.0		
18.83	APC 13x6.5	40%	13.89	261.5	1201	5855	4.6	56.47	
18.46		50%	20.67	381.6	1652	6546	4.3		
18.26		60%	32.59	595.1	2214	7099	3.7		
17.99		70%	46.29	832.8	2803	7672	3.4		
17.67		80%	50.36	880.0	2960	8488	3.4		
17.25		90%	56.02	940.6	3120	9287	3.3		
17.10		100%	58.96	1008.2	3250	9646	3.2		
22.25	APC 12x6	40%	15.31	340.6	1587	8014	4.7	61.1°C	
22.18		50%	22.10	490.2	2017	8925	4.1		
22.15		60%	31.32	693.7	2480	9848	3.6		
21.96		70%	41.63	914.2	2968	10806	3.2		
20.90		80%	53.00	1107.7	3478	11436	3.1		
20.70		90%	56.88	1177.4	3529	11287	3.0		
20.66		100%	58.60	1210.7	3635	11235	3.0		

Notes: The test condition of temperature is motor surface temperature in 100% throttle while the motor run 15 s. environment temperature 26°C