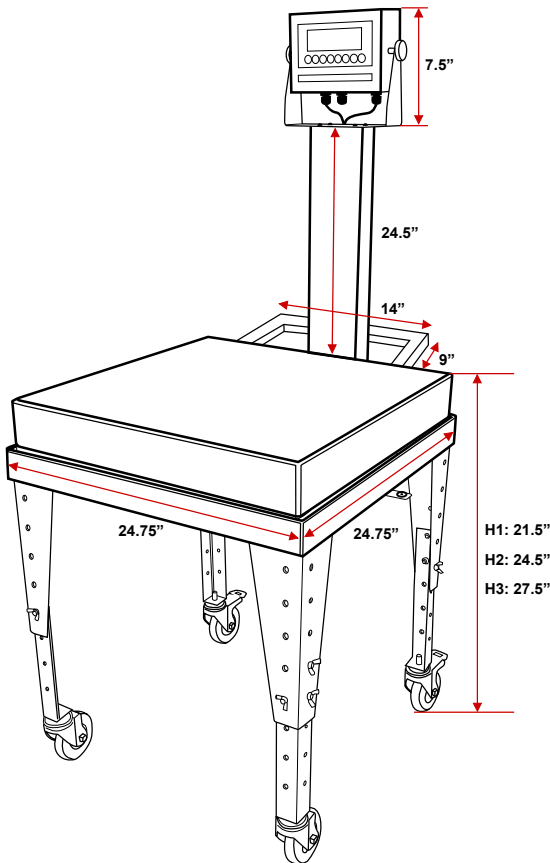


**FEATURES**

- ✓ For use with LS-915-SS Bench Scales
- ✓ Stainless Steel welded construction
- ✓ Ideal for use in the food and chemical industry
- ✓ Wheeled design for effortless smooth movement, easy portability and fast setup
- ✓ Locking rear casters allows for stability
- ✓ Adjustable cart legs can be raised or lowered to fit into assembly lines
- ✓ Rear handle for easy transporting
- ✓ Remove indicator stand
- ✓ Tilt-able indicator for eliminating glare
- ✓ 1,000 lb capacity

MODELS	PLATFORM SIZE	SHIP WT.
LS-915-CT18	18"x24"	50 lbs
LS-915-CT24	24"x24"	70 lbs

\* SHOWN WITH BENCH SCALE (SOLD SEPARATELY)



\* SHOWN WITH 4 CASTERS (OPTIONAL)