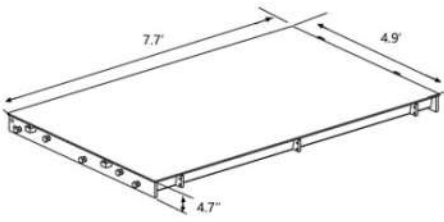
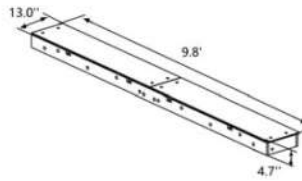




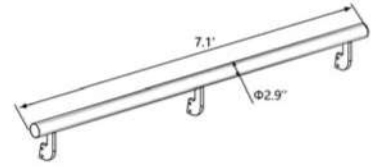
## Scale Components Included in the Package (all parts are interchangeable)



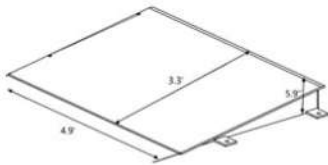
platform (2 pcs)



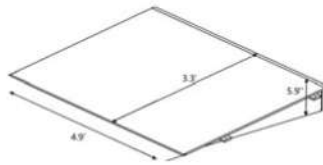
beam with top cover (2 pcs)



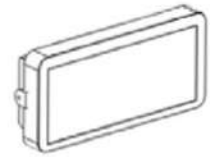
rail guards (2 pcs)



ramp A (2 pcs)



ramp B (2 pcs)



indicator (1 pc)

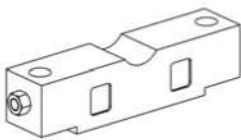


junction box (1 pc)

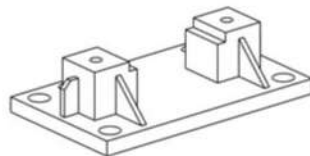


Interface cable for the indicator (1 pc)

## Load cell module Components (4 sets)



load cell



load cell module



bearing ring



steel block (2 pcs)



bolt for load cell module M16 x 75 mm (2 pcs)

## Bolts details



1''-14 UNF eyebolt (4 pcs)



bolt for platform joint M24 x 70 mm (20 pcs)



bolt for rail guard M24 x 70 mm (12 pcs)



Stopper M20 x 70 mm (8 pcs)



Anchor Bolt M16 x 100 mm (28 pcs)



bolt for ramp (4 pcs)

All the accessories are in the beams.





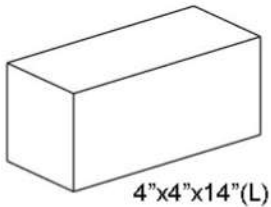
Forklift



Measuring Tape



Anchoring drill



4"x4"x14"(L)

Wood Blocks(4 pcs)



Wrench



Hexagonal Wrench



Hydraulic Jack



Screw Drivers



Hammer



Anchor bolts



Impact Drill or Socket Wrench



Crowbar



Chains with hooks (2pcs)

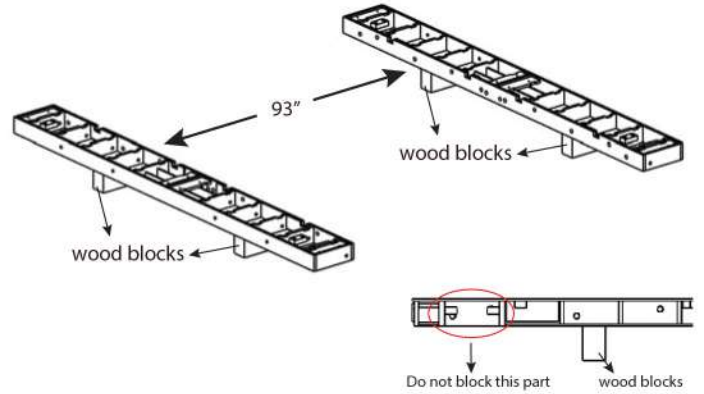


Level

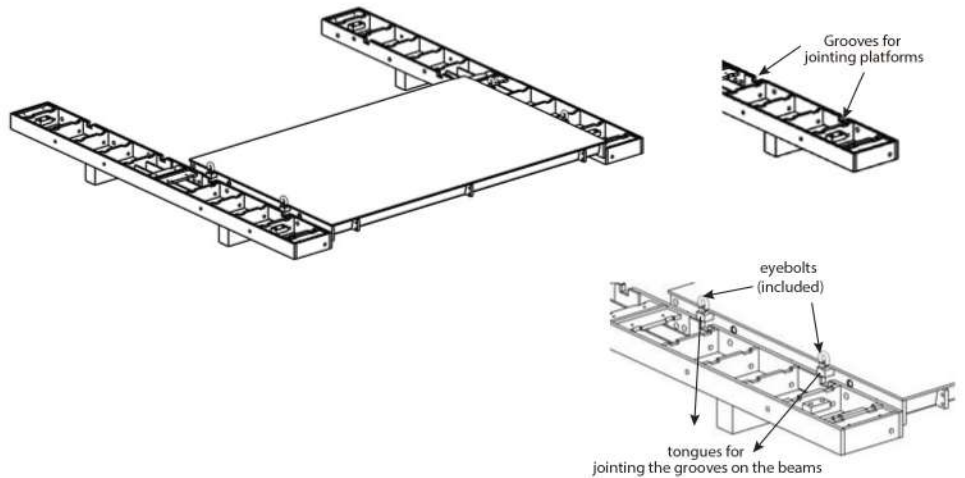
(1) Make sure the complete installation is done on a level ground.

(2) Place the two cross beams with forklift on two 4"x4" rectangular wood blocks and place the beams 93" apart in parallel.

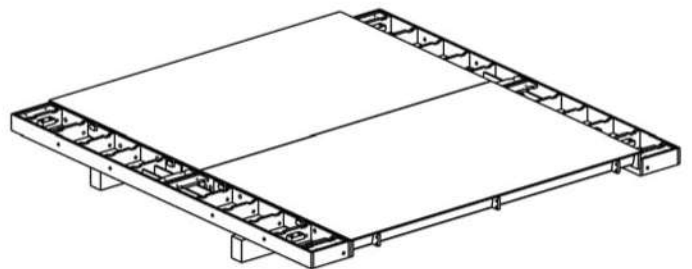
Note: Place the blocks approx 2 ft from the end and make sure not to cover the holes.



(3) Using forklift and chains, place one platform slowly between the 2 cross beams and fit the tongues on the side of the platform to the grooves on the beams.

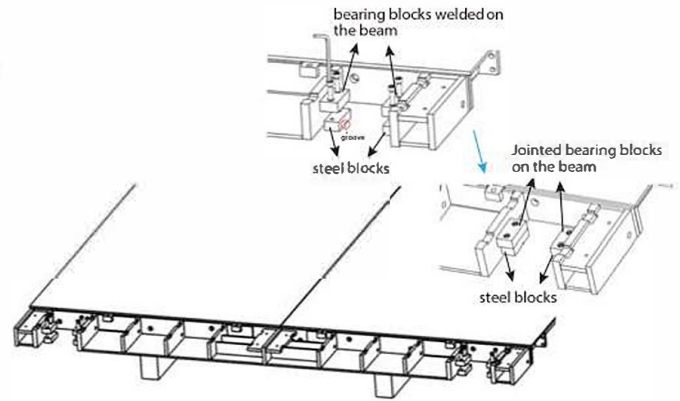


(4) Follow the same steps to install the second platform side by side.



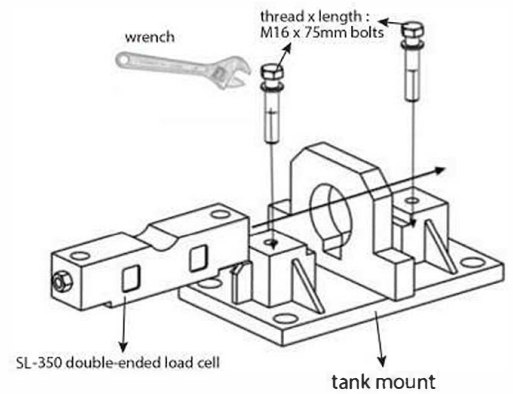
(5) Screw in the steel blocks with M16 hexagonal wrench

Note : The groove on steel blocks facing down.

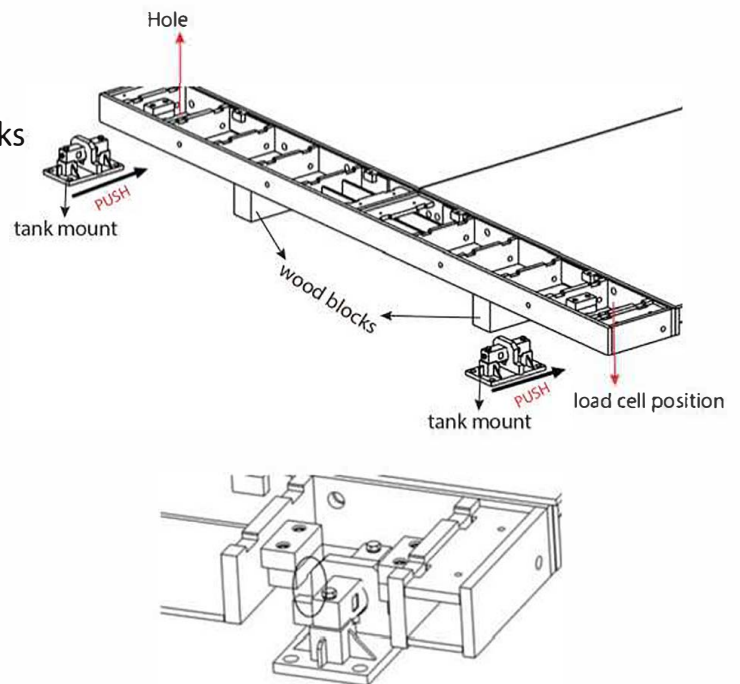


LS-350 double-ended load cell tank mount

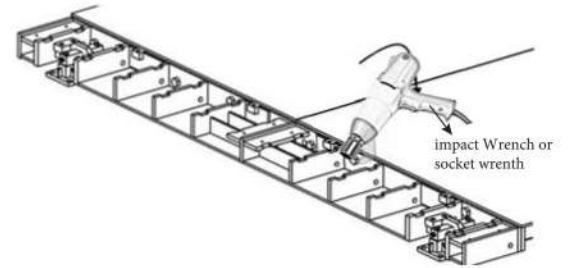
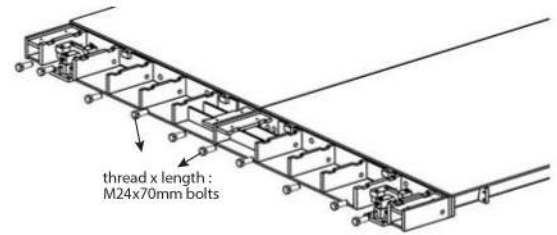
(6) Install the load cell mounts.



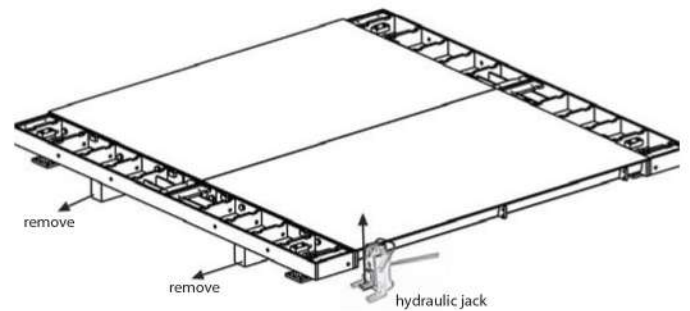
(7) Push the installed mount under the middle of the hole on the beam until the grooves on the steel blocks (installed in step 5) sit solid on the top of the mount



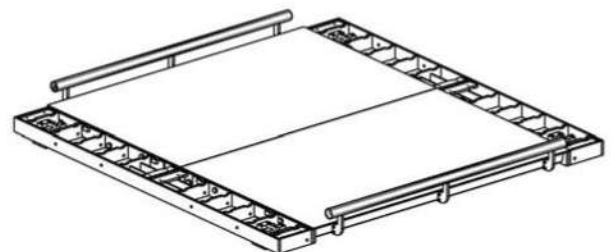
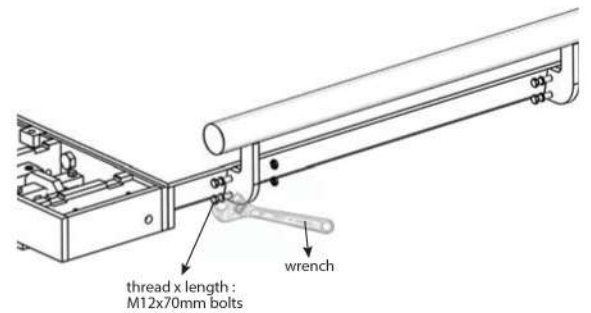
(8) Install all the bolts for the beams to be connected to the platforms



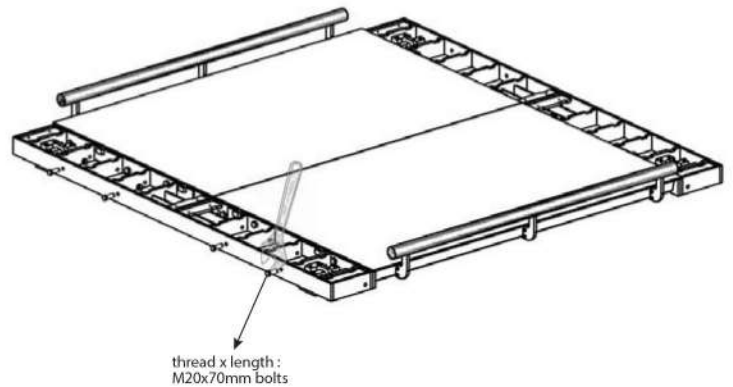
(9) Lift the whole platform up with hydraulic jack and remove the wood blocks



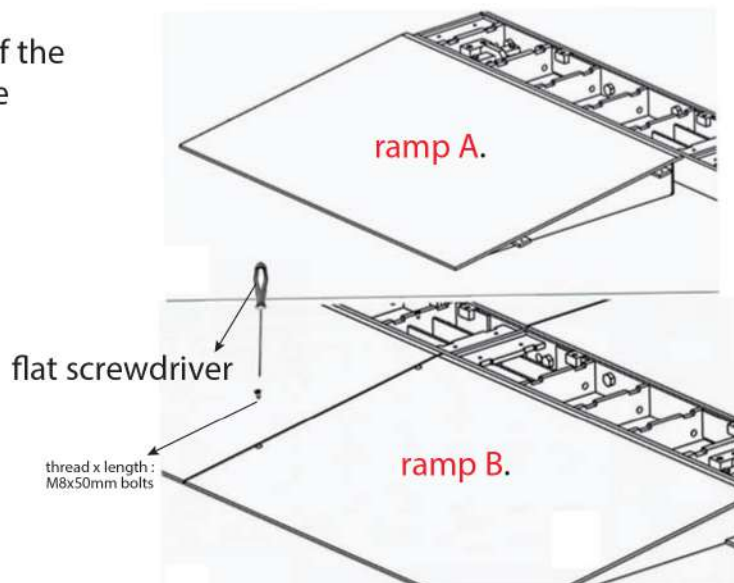
(10) Install the rail guards



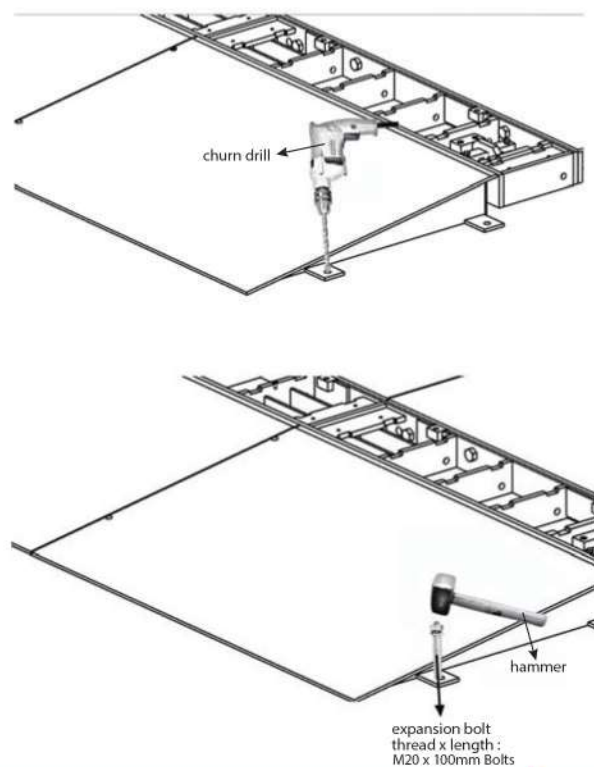
(11) Install the stoppers.



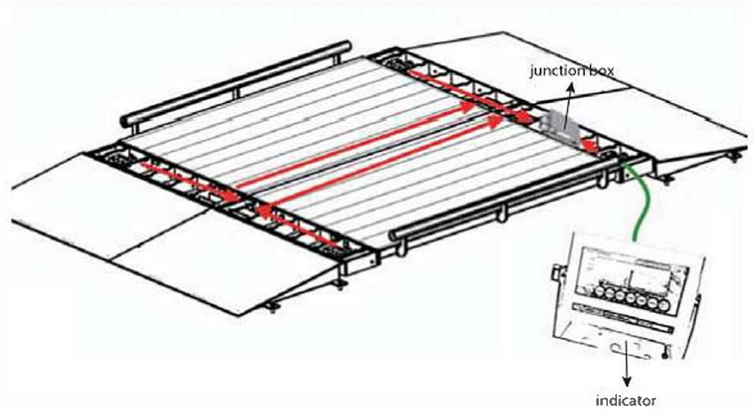
(12) Place ramp A on the left hand side of the beam, and ramp B on the right hand side until they match perfectly. Screw the bolts in between.



(13) Install the anchor bolts



(14) Run the load cell cables inside and beams and under the platforms as the red arrows direct.

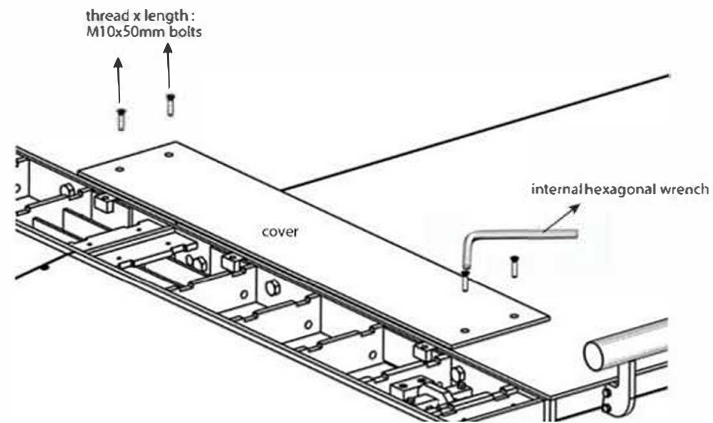


Note: Please follow this instruction for the wiring



- +EXC = Positive excitation voltage to load cell (RED)
- +SIG = Positive output signal from load cell (GREEN)
- HD = Shielded wire (YELLOW or thick BLACK)
- SIG = Negative output signal from load cell (WHITE)
- EXC = Negative excitation voltage to load cell (BLACK)

(15) Last Step: Install the beam covers



## Complete Installation

