



FEATURES

- Durable cast aluminum housing, ideal for harsh environments and all your overhead weighing needs
- Features an easy to read, backlit LED or LCD display
- Measured values in either pounds (lb) or kilograms (kg)
- Powered using a rechargeable battery pack (up to 80hrs)
- The wireless remote control allows users to change units, clear measurements, zero and tare out weight
- The remote control can capture peak weight at a distance of up to 100 feet (30m)
- Octagonal shape for capacities 3k - 20k
- Rectangular shape for capacity 40k
- 5-years warranty

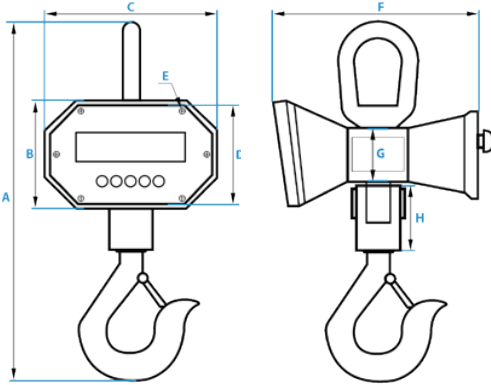
LED DISPLAY

| MODELS | CAPACITY |
|-------------|------------------|
| LS-925A-3K | 3000 lb x .5 lb |
| LS-925A-6K | 6000 lb x .5 lb |
| LS-925A-10K | 10000 lb x .5 lb |
| LS-925A-20K | 20000 lb x .5 lb |
| LS-925A-40K | 40000 lb x .5 lb |

LCD DISPLAY

| MODELS | CAPACITY |
|-------------|------------------|
| LS-925B-3K | 3000 lb x .5 lb |
| LS-925B-6K | 6000 lb x .5 lb |
| LS-925B-10K | 10000 lb x .5 lb |
| LS-925B-20K | 20000 lb x .5 lb |
| LS-925B-40K | 40000 lb x .5 lb |

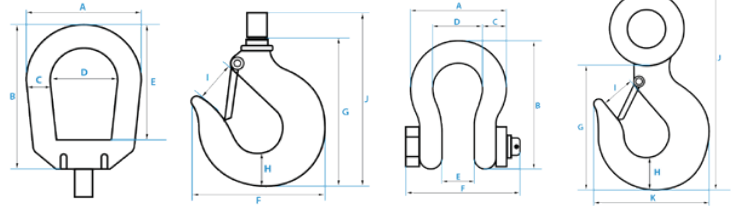
6K, 10K, 20K ▼



| EXTERIOR DIMS. 6K, 10K, 20K | | | |
|--------------------------------|-------|-------|----------------|
| A | B | C | D |
| 18"; 26"; 29" | 6.14" | 9.83" | 5.65" |
| E | F | G | H |
| 0.28" | 11.2" | 2.97" | 3.5";6.5";8.5" |

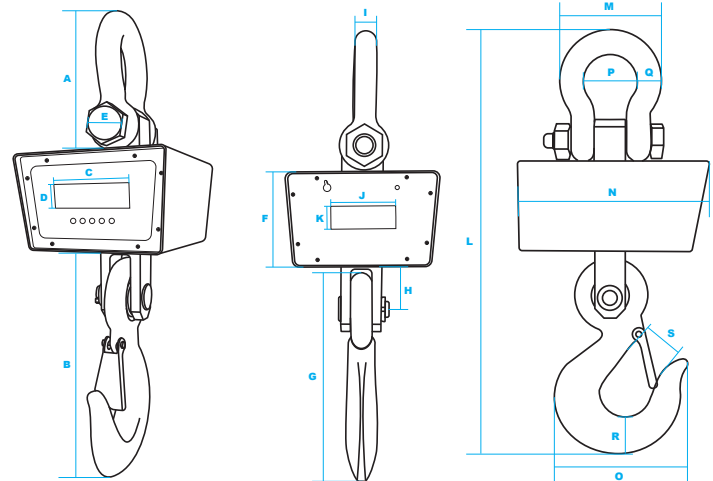
Up to 10K lbs ▼

20K lbs ▼



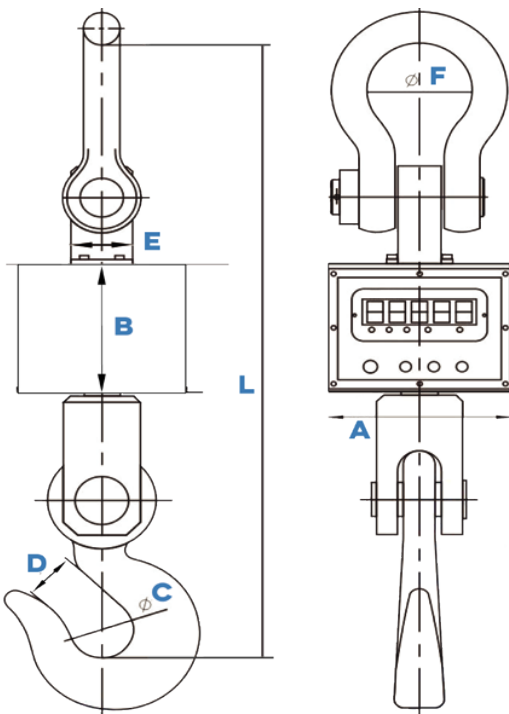
| HOOK DIMENSIONS | | | | | | |
|-----------------|-------|-------|-------|--------|-------|-------|
| CAPACITY | A | B | C | D | E | F |
| 6,000 lbs | 4.52" | 5.91" | 0.95" | 3.58" | 4.72" | 4.54" |
| 10,000 lbs | 5.40" | 7" | 1.25" | 2.95" | 1.92" | 6.50" |
| 20,000 lbs | 6" | 8" | 1.40" | 3.21" | 2.21" | 7.25" |
| CAPACITY | G | H | I | J | K | |
| 6,000 lbs | 5.36" | 1.45" | 1.45" | 6.06" | • | |
| 10,000 lbs | 6.40" | 1.91" | 1.65" | 9.50" | 6" | |
| 20,000 lbs | 8.00" | 2.40" | 2.00" | 12.20" | 7.00" | |

40,000 lbs ▼



| 40K LB CAPACITY DIMENSIONS | | | | | | | | | | |
|----------------------------|-----|-------|--------|--------|------|-------|------|-------|----|--|
| A | B | C | D | E | F | G | H | I | J | |
| 5.5" | 20" | 6" | 1.2" | 2.9" | 7.5" | 17" | 4.5" | 1.95" | 5" | |
| K | L | M | N | O | P | Q | R | S | | |
| 1.6" | 40" | 9.25" | 15.75" | 13.25" | 5" | 2.25" | 4" | 3.4" | • | |

60K-100K lbs ▼



60K-100K lbs ▼

| 60K-100K LB CAPACITY DIMENSIONS | | | | | | | |
|---------------------------------|--------|-------|-------|-------|--------|-------|--------|
| CAPACITY | A | B | C | D | E | F | L |
| 60,000 lbs | 9.29" | 6.25" | 5.11" | 4.72" | 8.34" | 5.90" | 39.05" |
| 80,000 lbs | 11.81" | 8.46" | 5.90" | 5.11" | 11.81" | 8.42" | 47.75" |
| 100,000 lbs | 11.81" | 8.46" | 5.90" | 5.11" | 11.81" | 8.42" | 47.75" |