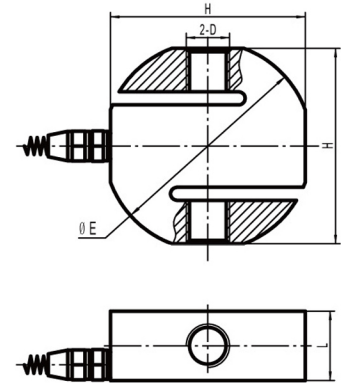


SINGLE BEAM, STAINLESS STEEL IP67



RATED CAPACITY	DIMENSIONS				RATED CAPACITY	DIMENSIONS			
	L	H	E	D		L	H	E	D
kg/mm					lb/inches				
20-150 kg	12.00	70.00	Φ 76.00	M8	50-300 lb	0.47	2.76	Φ 3.00	M8
200-500 kg	20.00	70.00	Φ 76.00	M12	500-1K lb	0.79	2.76	Φ 3.00	M12
700-1,000 kg	25.00	70.00	Φ 76.00	M12	1.5K-2K lb	0.98	2.76	Φ 3.00	M12
1,200-5,000 kg	32.00	90.00	Φ 95.00	M20	2.5K-10K lb	1.26	3.54	Φ 3.74	M20
7,500 kg	40.00	90.00	Φ 95.00	M24	15K lb	1.57	3.54	Φ 3.74	M24
10,000 kg	50.00	110.00	Φ 95.00	M30x2	20K lb	1.97	4.33	Φ 3.74	M30x2

Rated Capacity:

20/30/50/75/100/150
200/250/300/500
/700 kg
1/1.2/1.5/2/2.5/3/5
7.5/10 t

Rated Output:

2.0mV/V
(20kg-7.5t)
1.8mV/V(10t)

Non-linearity:

±0.02% F.S.

Hysteresis:

±0.02% F.S.

Repeatability:

±0.02% F.S.

Temperature Effect on Span:

±0.0015% F.S./°C

Temperature Effect on Zero:

±0.0027% F.S./°C

Zero Balance:

±1.00% F.S.

Insulation Resistance:

> 5000 MEGOHMS

Compensated Temperature Range:

-10°C - +40°C(14°F-104°F)

Creep(30 minutes):

±0.02% F.S.

Input Resistance:

385±20Ω

Output Resistance:

350±3Ω

Safe Overload:

150% F.S.

Excitation Recommended:

10-20V AC/DC

Material/Finish:

Stainless Steel

Cable Length:

Standard Cable
20ft/6m

Load Cell Wiring:

Red.....+Excitation
Black.....- Excitation
Green+Signal
White - Signal