



Adventurer[®]

Grain Scale



The Scale for Grading Grain!

The OHAUS Adventurer Grain Scale has been designed to provide a durable, high-precision grading scale for use in both commercial grain and GIPSA applications. Using high-resolution loadcell technology, the Adventurer offers 4,200g capacity in either 0.01g readability (non-approved mode) or 0.0[1]g for approved grain applications (NTEP Class II to Handbook 44). The Adventurer Grain Scale also features FM/Dockage readability to 0.01%. For the high-precision accuracy your operation requires, there is the Adventurer Grain Scale.

Standard Features:

- **Easy to Use** – Designed for high-throughput dockage operations, the Adventurer Grain Scale features a large and bright 4.3" touchscreen LCD display with intuitive icon driven SmarText 2.0 software. The Adventurer Grain Scale also includes six manual "quick keys" for simple operation of routine task. Test Weight and Dockage modes have dedicated key functions to increase efficiency.
- **The Modes You Need** – Simple weighing, a Test Weight mode and standard or reciprocal Dockage (foreign material) modes are all programmed into the Adventurer Grain Scale. Each mode can be quickly accessed using dedicated key functions.
- **Multiple Test Weight Selection** – The Adventurer Grain Scale offers a Grain Grading unit for pounds per bushel with quart or pint containers and kilograms per hectoliter in liter and half-liter volumes.
- **Weighing Units** – The Adventurer Grain Scale offers g, kg, oz, lb, and a user-defined custom unit.
- **Durable Design** – Each Adventurer Grain Scale features a removable stainless steel weighing pan and durable housing with cast aluminum loadcell frame. Full in-use housing cover included.
- **Improved Connectivity with GLP/GMP Data** – The Adventurer Grain Scale features a standard RS-232, USB Device and USB Host ports with real time GLP/GMP capabilities including operator ID, date and time for improved traceability.

Stability, Accuracy, and Fast Operation Ensure Optimal Weighing Results in Routine Weighing Tasks

Weighing Performance

- Delivers stable and reliable weighing results for grain weighing

Stabilization Time

- Adventurer's fast stabilization time of ≤ 1.5 seconds improves productivity in grain silo facilities

Easy and Fast Operation of Adventurer's Applications

Large Color Touchscreen Display

- In addition to the touchscreen, Adventurer also has six mechanical keys that allow the operator to perform repetitive operations easily
- Operate and access Adventurer's application modes and abundant features that eliminate the need to do several manual calculations through the modern color touchscreen

Equipped with Efficient and Functional Features

Dual USB Ports

- A front USB host port is easily accessible and makes it simple to save data from the Grain Scale onto a USB memory stick
- A second USB device is located at the rear of the balance that can be used to connect the Grain Scale to a PC or printer

Real Time Clock with GLP/GMP Data

- A real-time clock function keeps accurate time even during power loss and the GLP data capability has the ability to record Sample name, Project names and Balance ID's to help meet traceability and compliance requirements

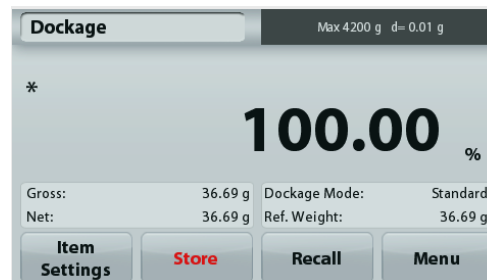
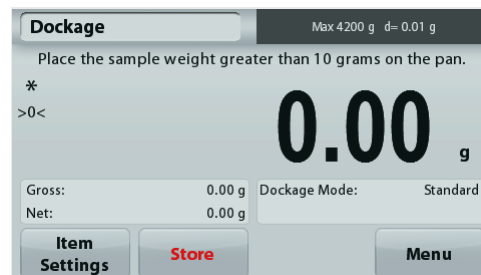


Fast Processing For Your Operation

Fast Dockage Operations

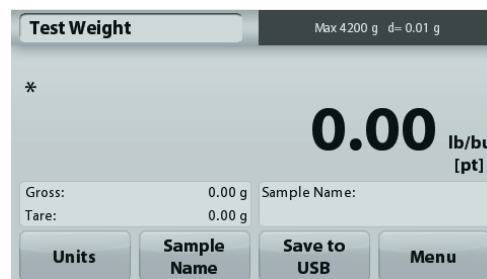
The Adventurer Grain Scale allows either standard (positive) or reciprocal (negative) dockage modes to fit your operational needs:

- Tare the container's weight and press the Dockage button on the Adventurer Grain Scale
- Choose the dockage mode to either standard (positive) or reciprocal (negative)
- Process your sample and place the sample on the Adventurer's platform
- The Adventurer Grain Scale will then show the standard or reciprocal percentage



Quick Test Weight Mode

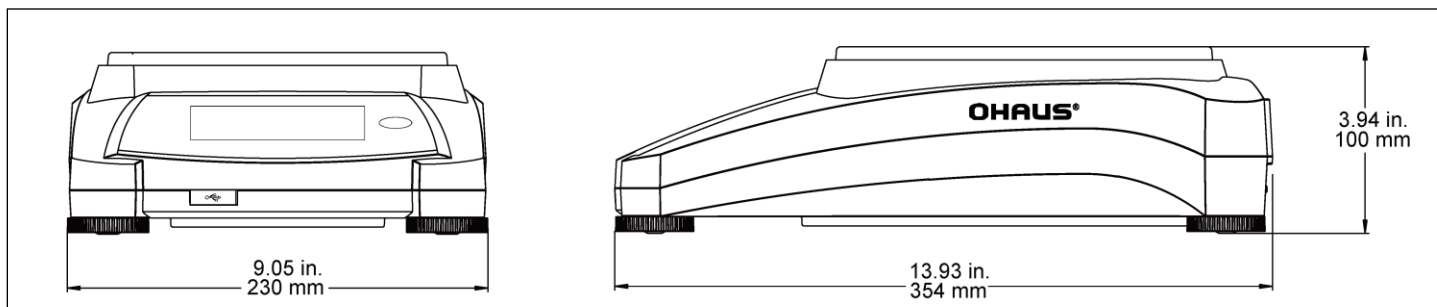
- Press the Test Weight button on the Adventurer Grain Scale display
- Tare the container's weight out by pressing the Tare button on the scale
- Fill container with processed sample and place on the Adventurer's platform
- The display shows the actual test weight (density) in either pounds per bushel or kilogram per hectoliter



Full Capacity Tare

- The Adventurer Grain Scale can be tared up to the full capacity of 9 lb or 4.2 kg

Outline Dimensions





Adventurer[®] Grain Scale

MODEL	AX4202N/E(GN)
Max	4200g
Min	0.5g
d=	0.01g
e=	0.1g
Approval Class	II
Repeatability (std. dev.) (g)	0.01g
Linearity (g)	±0.02g
Span Calibration Points (g)	1000g, 2000g 3000g, 4000g
Calibration	External
Weighing units	gram, kilogram, carat, pennyweight, grain, pound, ounce, troy ounce
Applications	weighing, dockage, test weight
Stabilization time (typical)	≤1.5 seconds
Sensitivity Temperature Drift (PPM/K)	3
Typical Minimum Weight USP (u=0.1%,k=3)	20g
Optimized Minimum Weight USP (u=0.1%,k=3) SRP**≤0.41d	8.2g
Display	Full-Color WQVGA Graphic LCD
Display size	4.3 in / 10.9 cm (diagonal)
Backlight	White LED
Controls	4-wire resistive touch screen
Communication	RS-232, USBx2
Scale power input	12 VDC, 0.5A
Power supply	AC Adapter Input: 100-240 VAC 0.3A 50-60 Hz AC Adapter Output: 12 VDC 0.84A
Platform size (diameter)	175x195 mm/6.9x7.7 in
Assembled dimensions (W x D x H)	354x230x100 mm 13.9x9.1x4.0 inch
Shipping dimensions (W x D x H)	557x392x301 mm 22.0x15.5x11.9 inch
Net weight	3.9Kg/8.6lb
Shipping weight	5.8Kg/12.8lb

Compliance

Metrology: NTEP (CC 14-082); Measurement Canada (AM-5957)
 Product Safety: CAN/CSA C22.2 No. 61010-1, UL 61010-1, IEC 61010-1
 Electromagnetic Compatibility: FCC Part 15 Class B, ICES-001 Class B, IEC 61326-1
 (emissions Class B, immunity basic environments)

Accessories

SF40A Impact Printer	30064203
Auxiliary Display	80251396
Density Kit	80253384
Cable, USB Device (Type A-B)	83021085
Security Device (Laptop Lock)	80850043
RS232 Cable, PC 25 Pin	80500524
RS232 Cable, PC 9 Pin	80500525
Dust Cover	30093334

OHAUS CORPORATION

* 7 Campus Drive
 Suite 310
 Parsippany, NJ 07054 USA

Tel: 800.672.7722
 973.377.9000
 Fax: 973.944.7177

www.ohaus.com