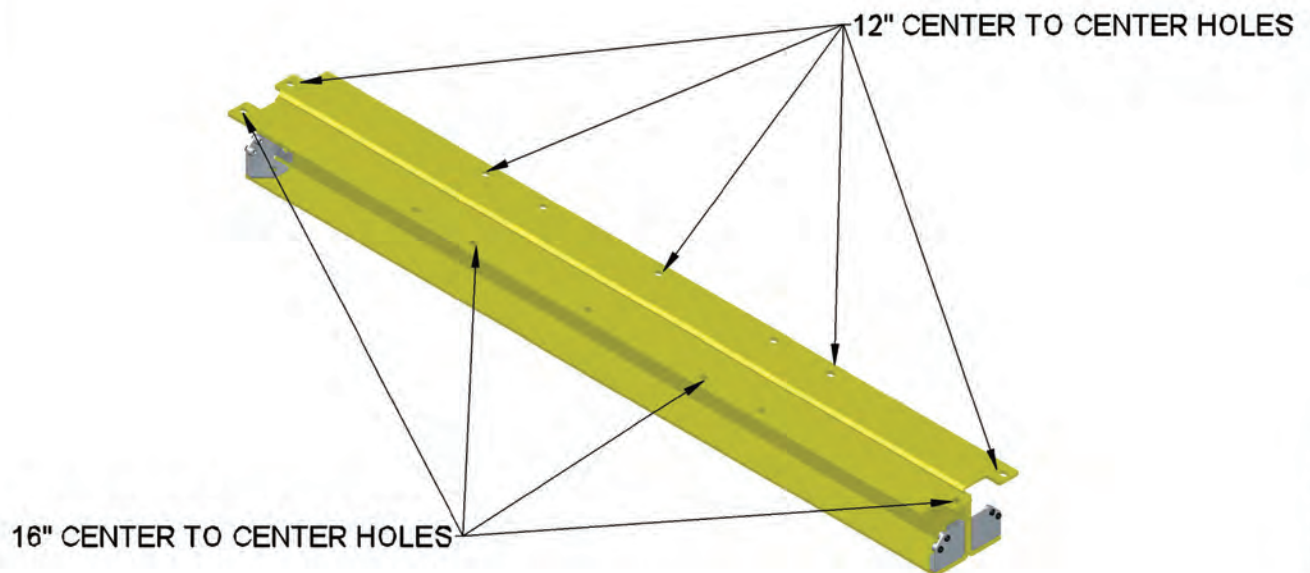




INSTALLATION

ROLLER MOUNT TRACK

PROMOUNTINGS RECOMMENDS 2 PEOPLE FOR INSTALLATION



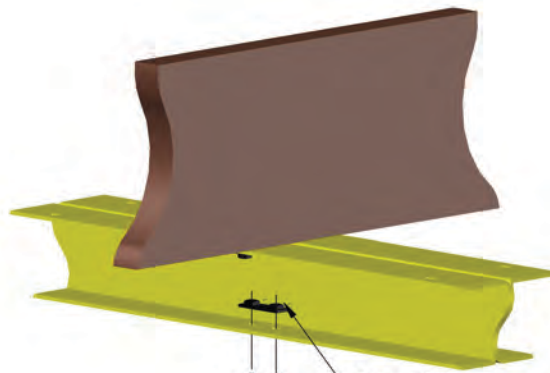
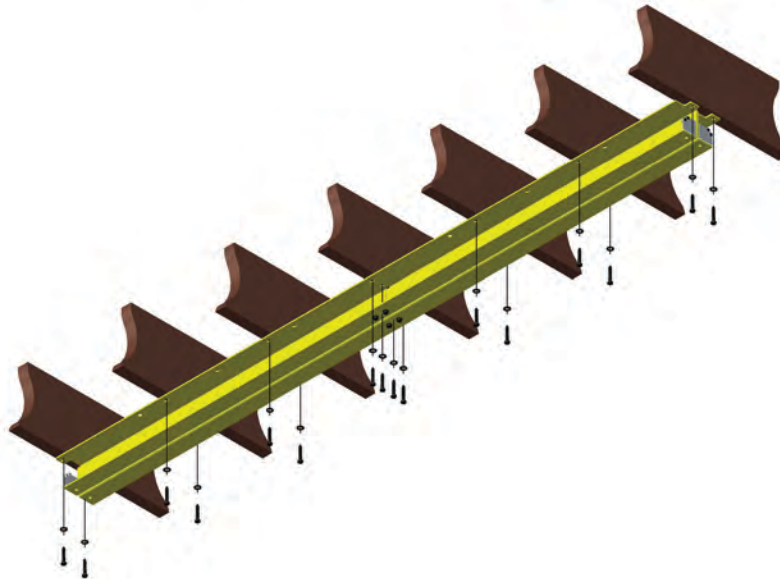
- STEP 1: DETERMINE YOUR CEILING JOIST SPACING AND LOCATE THE CENTER OF A JOIST.
- STEP 2: USING THE ROLLER TRACK, HOLD UP TO THE CEILING JOIST AND TRACE THE OVAL HOLES ONTO THE JOIST.
- STEM 3: DRILL 5/16" PILOT HOLES INTO THE CENTER OF EACH MARKED JOIST.
- STEP 4: THREAD THE PROVIDED LAG BOLTS INTO EACH HOLE ABOUT 1" DEEP.





INSTALLATION

ROLLER MOUNT TRACK



5/16-18x3/4 Flanged Head Cap Screw

Splice Plate
(One on each side of track)

STEP 5: HOLD THE ROLLER TRACK UP AND SCREW IN EACH LAG BOLTS WITH WASHERS. TIGHTEN ALL THE LAG BOLTS TIGHT.





INSTALLATION

ROLLER MOUNT TRACK

PROMOUNTINGS RECOMMENDS 2 PEOPLE FOR INSTALLATION

