



# DATA SHEET

## 5-GRIP PULL UP BAR - PB-200

### **Pull-Up Bar** beam Mounting System



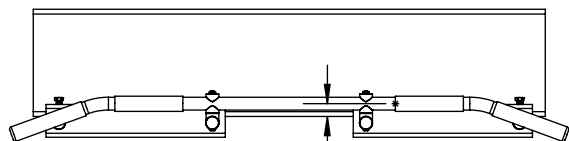
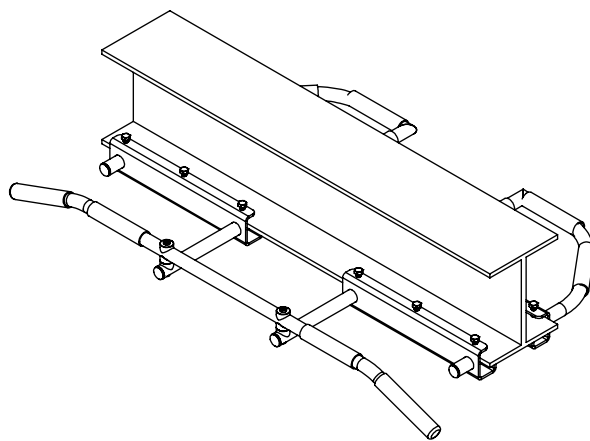
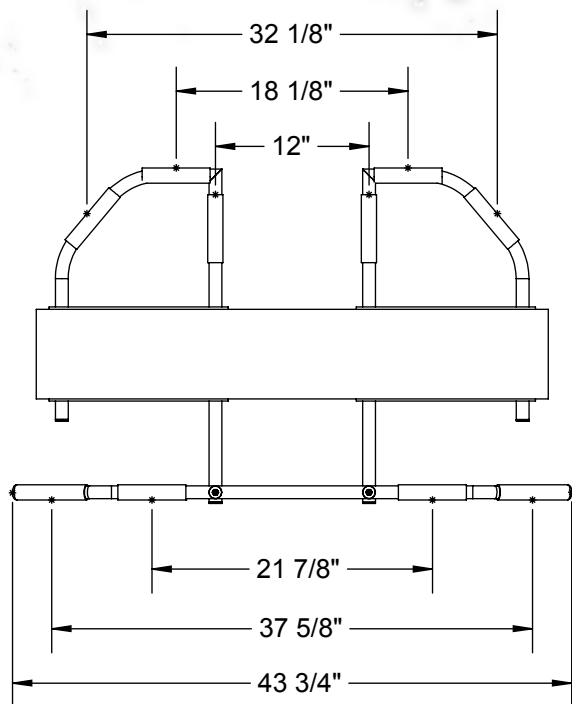
- Easily Attaches to I-Beam from 4" to 9"
- 5 Different Grip Positions
- 350 lbs Weight Limit
- All Mounting Hardware Included
- Fabricated from 3/16" Steel for Superior Strength
- Durable Powder Coat Finish
- Made in the USA.





# INSTALLATION

## 5-GRIP PULL UP BAR - PB-200



CENTER OF BAR  
1" ABOVE THE BOTTOM  
OF THE I-BEAM

