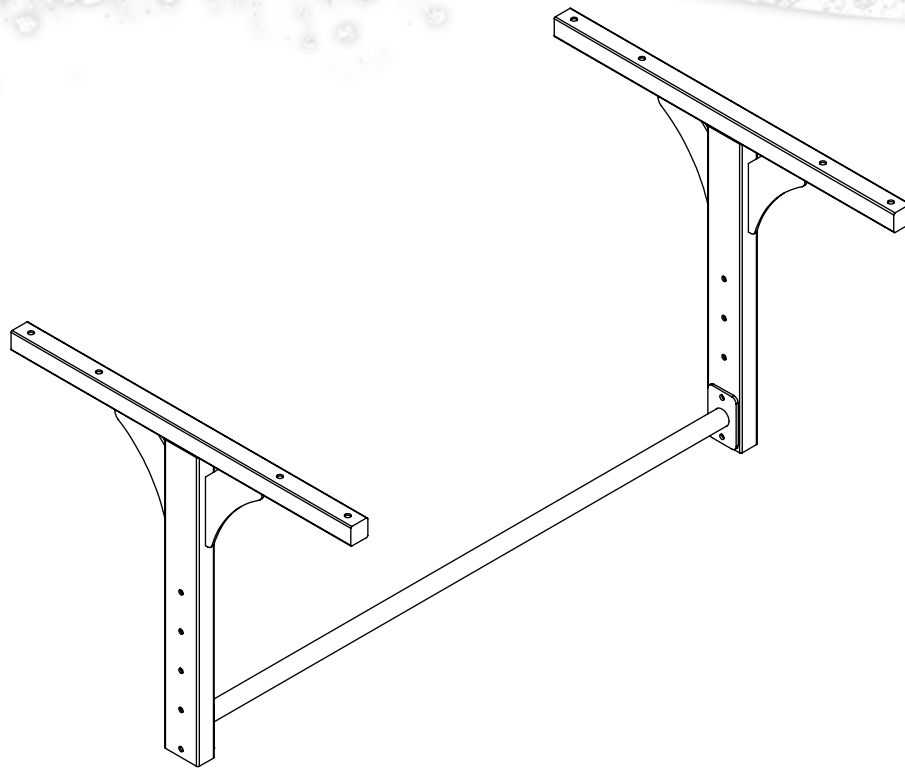




DATA SHEET

CW-1000 PULL UP BAR

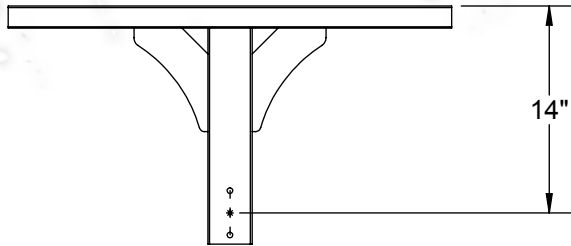


- Commercial Quality with 600 LBS Capacity
- 1-1/4" Diameter Bar
- Designed to Mount on Joist 4' Apart (Custom Sizes Available)
- All Mounting Hardware Included
- Durable Powder Coat Finish - Made in the USA

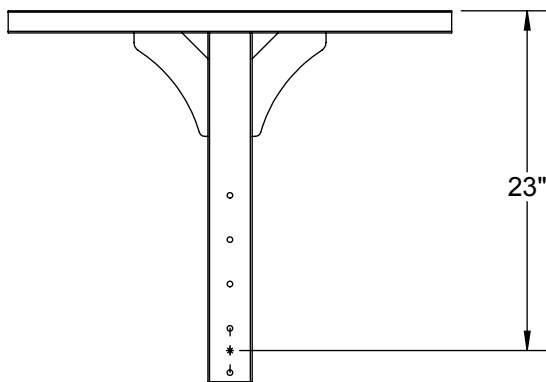




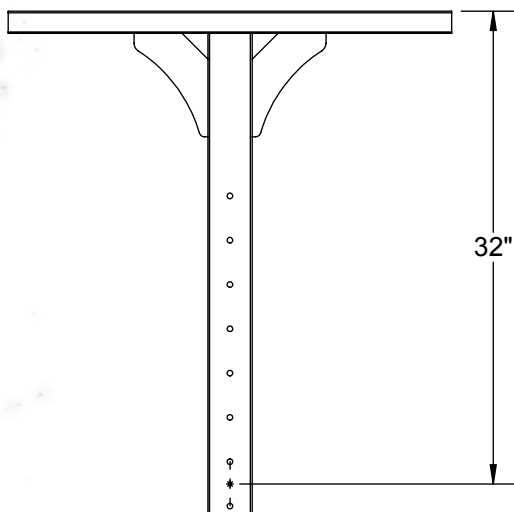
DATA SHEET



SHORT LENGTH
(14" FROM CEILING)



MIDDLE LENGTH
ADJUSTABLE BAR HEIGHTS
(23", 20", 17", 14" FROM CEILING)



EXTENDED LENGTH
ADJUSTABLE BAR HEIGHTS
(32", 29", 26", 23", 20", 17", 14" FROM CEILING)





DATA SHEET

