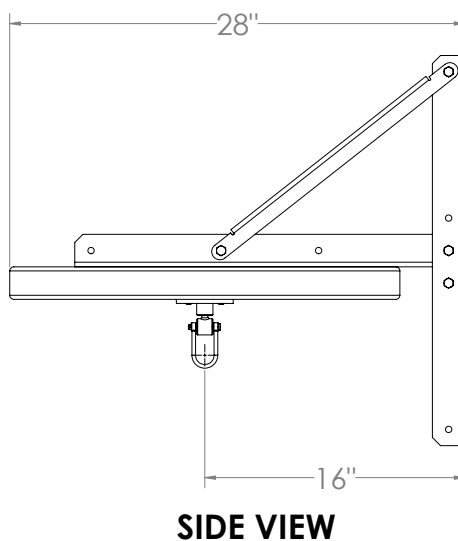
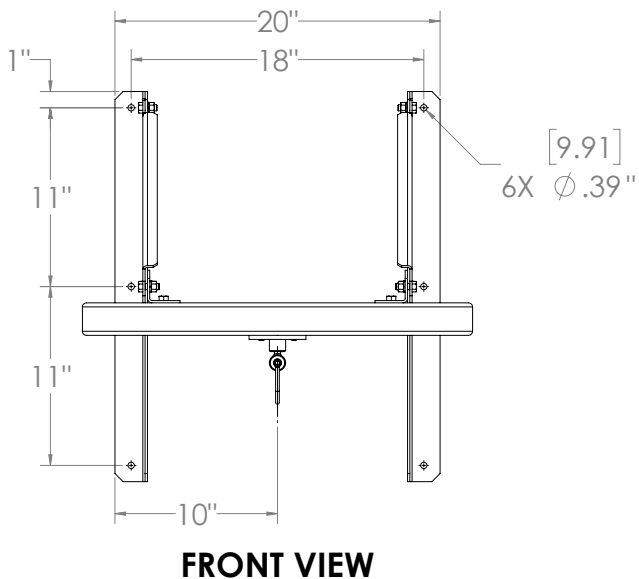
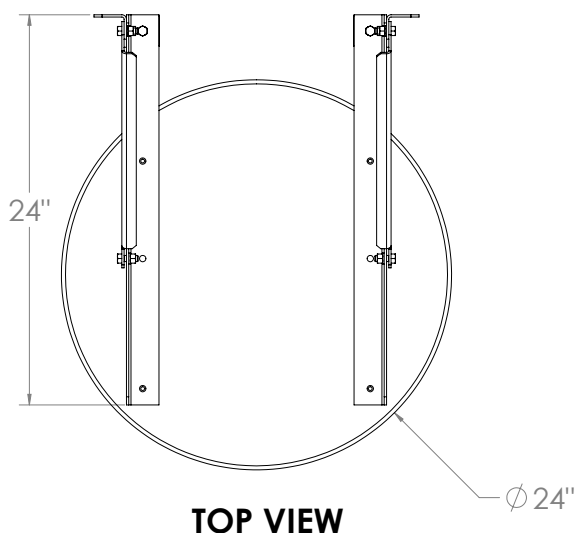




DATA SHEET

WALL MOUNT SPEED BAG

MODEL WM-SP





DATA SHEET

WALL MOUNT SPEED BAG

MODEL WM-SP



PRODUCT DETAILS

- Light Steel Gauge Construction.
- Heavy Duty Bracing for strong support.
- Attaches to walls with wooden framing or concrete.
- Comes with Speed bag and Swivel.
- All mounting hardware included.
- Durable Black powder coat finish.
- Made in the USA.





DATA SHEET

WALL MOUNT SPEED BAG

MODEL WM-SP

MOUNTING INSTRUCTIONS

1. Drill holes into concrete walls or wooden framing with dimensions provided in the Installation Drawings.

For Concrete Walls:

2. Hammer in concrete stud bolts into holes.
3. Place Wall Mount into the Concrete stud bolts.
4. Affix washers into stud bolts.
5. Fasten hex nuts onto stud bolts using a wrench or a similar tool.

For Wooden Framing:

2. Position Wall Mount in desired location.
3. Use socket wrench or similar tool to initially lag the screws in.
4. Tighten all screws.

