

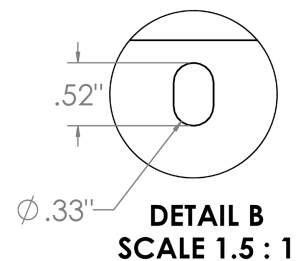
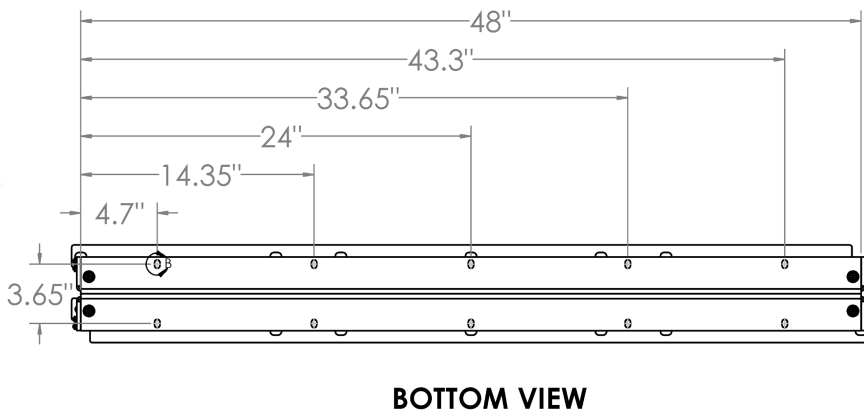
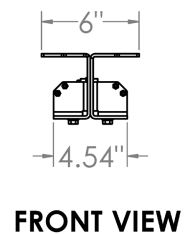
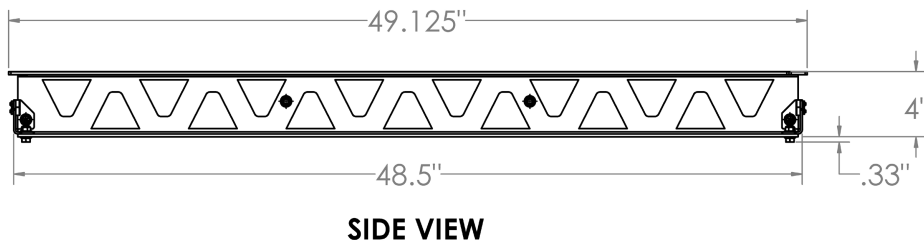
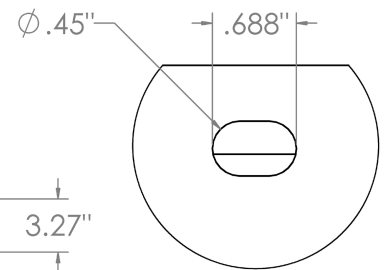
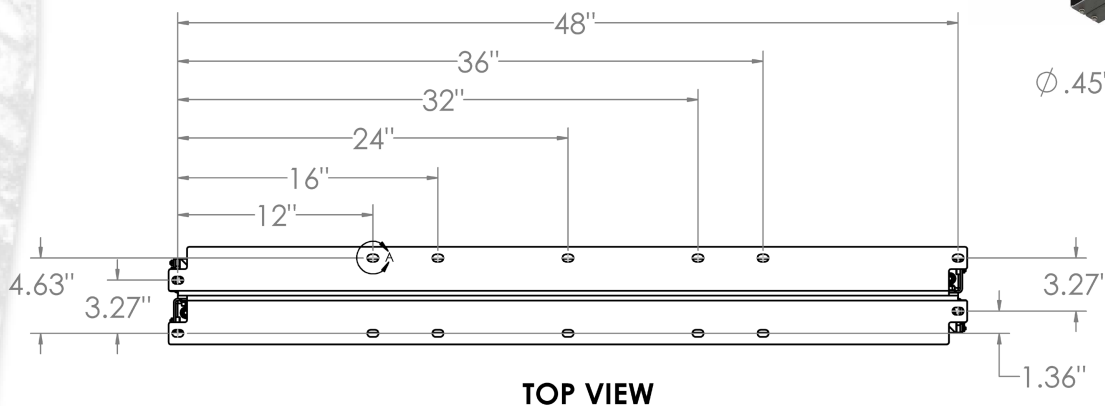


DATA SHEET

SPRING PLUNGER ROLLER MOUNT COMBO TRACK SYSTEM

MODEL T093 1 (2) QTY Fabricated 4ft Tracks
- UP TO 600LB BAGS

***NOTE: USE AT LEAST 4 LAG SCREWS / STUD BOLTS PER SIDE OF SP ROLLER TRACK MOUNT**





DATA SHEET

SPRING PLUNGER ROLLER MOUNT COMBO TRACK SYSTEM

MODEL T093 1 - UP TO 600LB BAGS



MOUNTING INSTRUCTIONS

1. Drill holes into concrete ceilings or floor joists with dimensions provided in the Installation Drawings.

For Floor Joists:

2. Position SP Roller Track Mount.
3. Use socket wrench or similar tool to initially lag the screws in.
4. Tighten all screws.

For Concrete Ceilings:

2. Hammer in concrete stud bolts into holes.
3. Place SP Roller Track Mount into the Concrete stud bolts.
4. Affix washers into stud bolts.
5. Fasten hex nuts onto stud bolts using a wrench or a similar tool.

PRODUCT DETAILS

- (2) QTY Fabricated 4ft Tracks from 3/16" steel for superior strength. (with slots for lighter weight)
- Pre-Fabricated holes on bottom for the spring plunger inserts.
- Can be mounted to open ceiling joists, drywall, concrete, or uni-strut.
- Special interlocking ends allow for addition of move Rail Sections.
- 10 Gauge Steel for lighter weight.
- 600lbs weight capacity per 4 Foot section.
- Mounting hardware included.
- Durable Black Powder Coated Finish.
- Made in the USA.

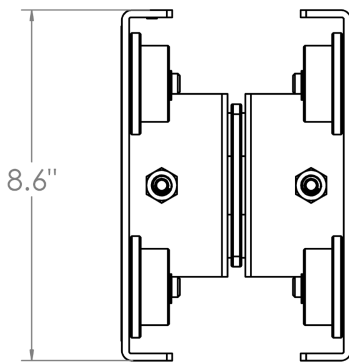




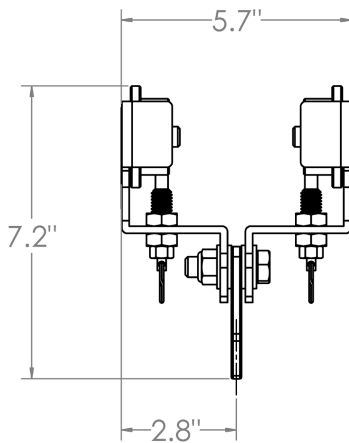
DATA SHEET

SPRING PLUNGER ROLLER MOUNT COMBO TRACK SYSTEM

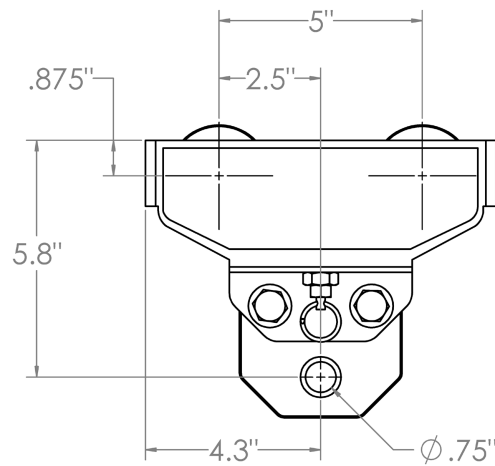
- UP TO 260LB BAGS



TOP VIEW



FRONT VIEW



SIDE VIEW

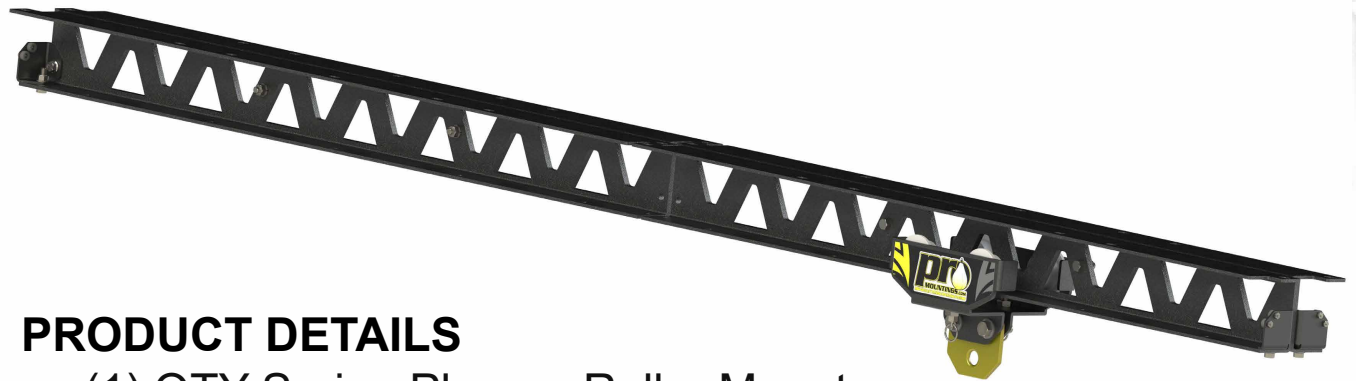




DATA SHEET

SPRING PLUNGER ROLLER MOUNT COMBO TRACK SYSTEM

- UP TO 260LB BAGS



PRODUCT DETAILS

- (1) QTY Spring Plunger Roller Mount.
- Exclusively designed for our SP-Track.
- For Heavy Bags up to 260 lbs.
- Stainless Steel Spring Plungers to be able to move the bag from the ground with high ceilings.
- Custom Pull Cradle for even pulling.
- Premium Double OT Clamps and Rope ends with double braided Nylon Pull Rope.
- Great for commercial gym installations.
- Grade 5 Hardware.
- UHMW Wheels for slick sliding.
- Fabricated from 3/16" steel and powder coated for durable lasting finish.
- All mounting hardware included.
- Optional Strap with Hex Plate and Delta Link Connection available as an accessory to reduce metal on metal.
- Made in USA.



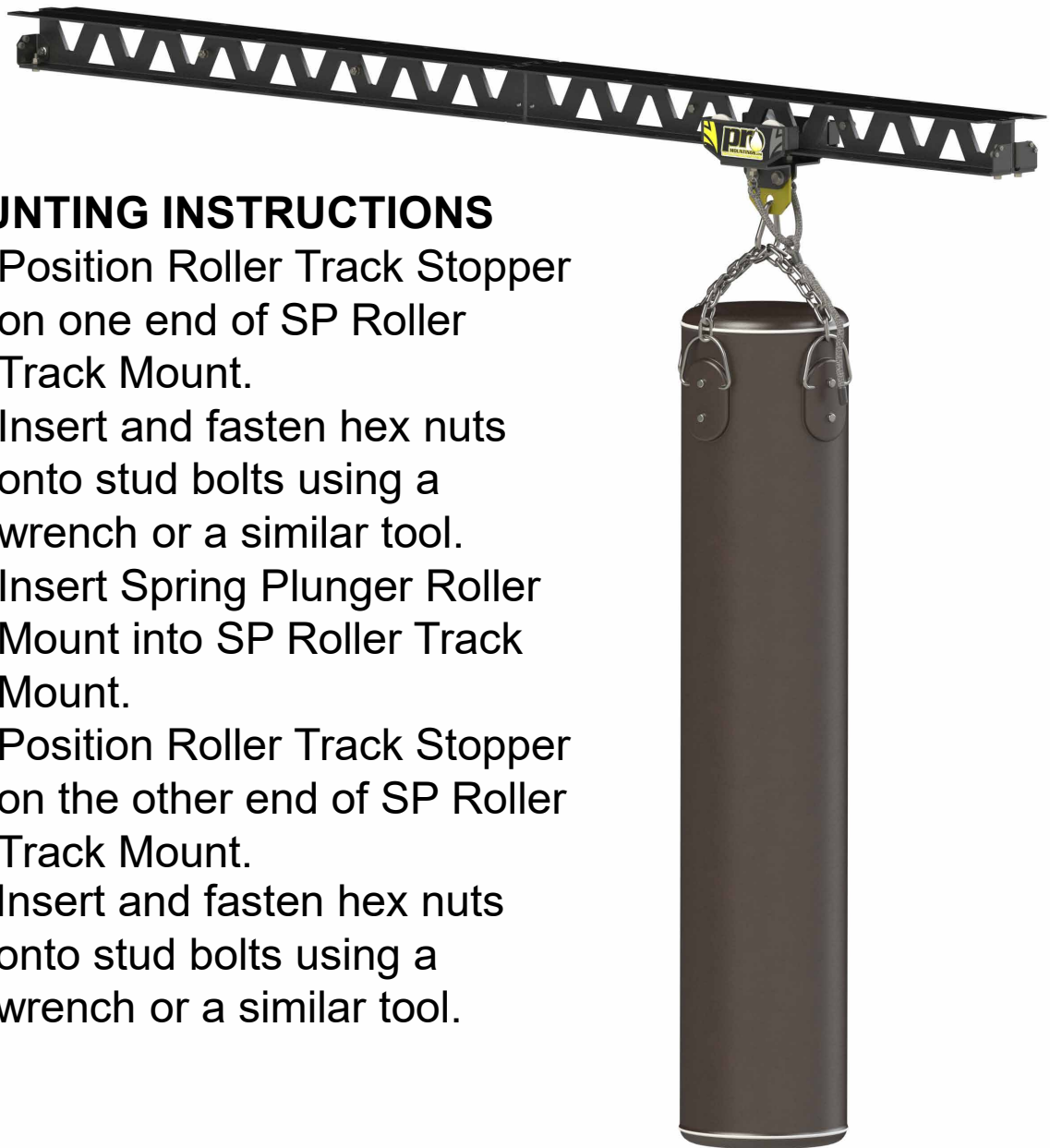
PRMOUNTINGS.COM



DATA SHEET

SPRING PLUNGER ROLLER MOUNT COMBO TRACK SYSTEM

- UP TO 260LB BAGS



MOUNTING INSTRUCTIONS

1. Position Roller Track Stopper on one end of SP Roller Track Mount.
2. Insert and fasten hex nuts onto stud bolts using a wrench or a similar tool.
3. Insert Spring Plunger Roller Mount into SP Roller Track Mount.
4. Position Roller Track Stopper on the other end of SP Roller Track Mount.
5. Insert and fasten hex nuts onto stud bolts using a wrench or a similar tool.

