

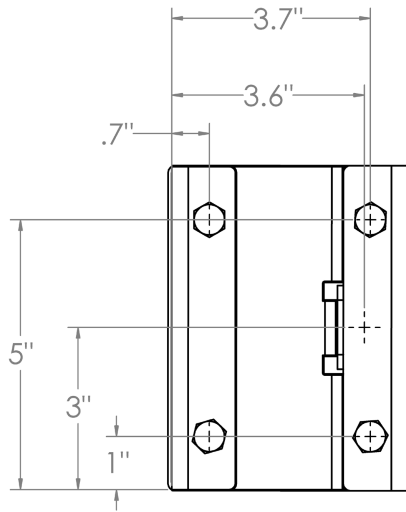


DATA SHEET

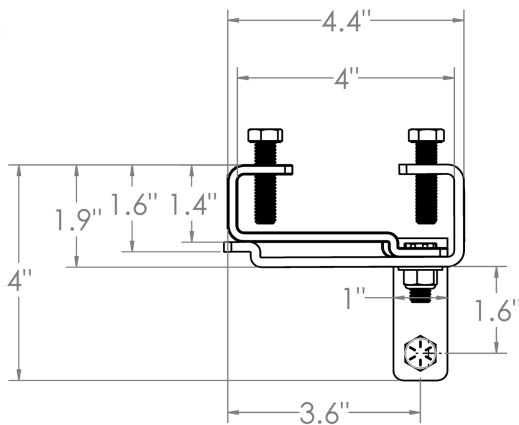
IB-1100 I-Beam Mount

**MODEL IB-1100
- UP TO 250LB BAGS**

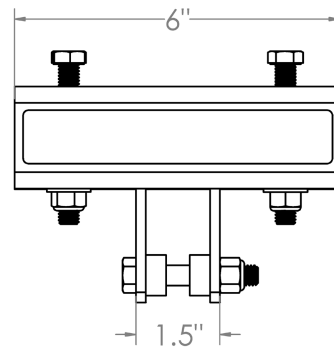
**FOR 4" TO 6" I-BEAMS
4" CONFIGURATION SHOWN**



TOP VIEW



FRONT VIEW



SIDE VIEW



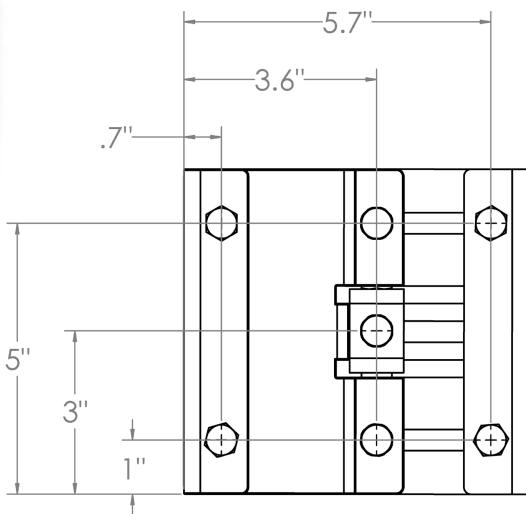


DATA SHEET

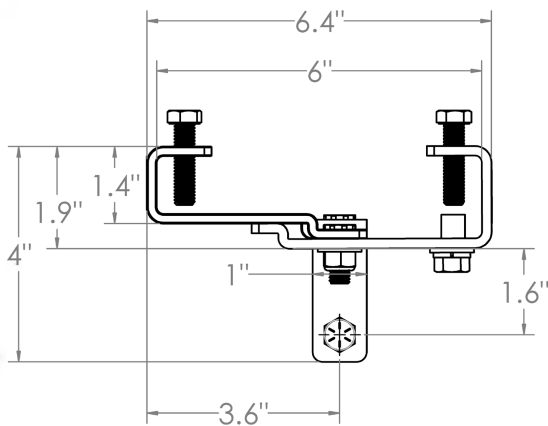
IB-1100 I-Beam Mount

**MODEL IB-1100
- UP TO 250LB BAGS**

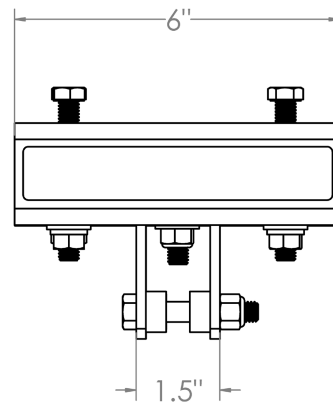
**FOR 4" TO 6" I-BEAMS
6" CONFIGURATION SHOWN**



TOP VIEW



FRONT VIEW



SIDE VIEW





DATA SHEET

IB-1100 **I-Beam Mount**

MODEL IB-1100
- UP TO 250LB BAGS



PRODUCT DETAILS

- For Heavy Bags up to 250lbs.
- Fabricated from 3/16" Thick Gauge Steel.
- Black Textured Powder Coating for Durable Lasting Finish.
- Grade 5 fastening hardware included.
- Easily Adjustable for I-Beams that are between 4"-6" wide.
- Great for in-home use.
- Installs in minutes! No Drilling Required.
- Made in USA.



PRMOUNTINGS.COM



DATA SHEET

IB-1100 **I-Beam Mount**

MODEL IB-1100 **- UP TO 250LB BAGS**



MOUNTING INSTRUCTIONS

1. Loosely position the IB-1100 onto the I-Beam.
2. Move Upper Flange (Yellow) and Lower Flange (Black) towards one another, until both parts touch the I-Beam.
3. Fasten hex nuts onto bottom screws using wrench or a similar tool.
4. Finger tighten the two hex bolts above the Upper Flange.
5. Finger tighten the two hex bolts above the Lower Flange.
6. Tighten all Bolts using wrench or a similar tool to secure the Mount to the I-Beam.
7. Position Spacer rings and secure with bolt and nut.

