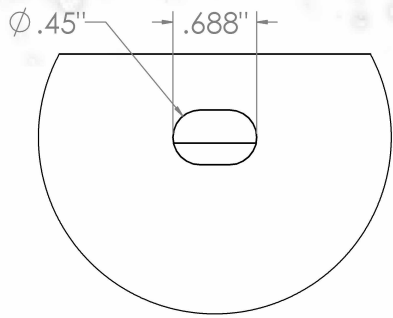


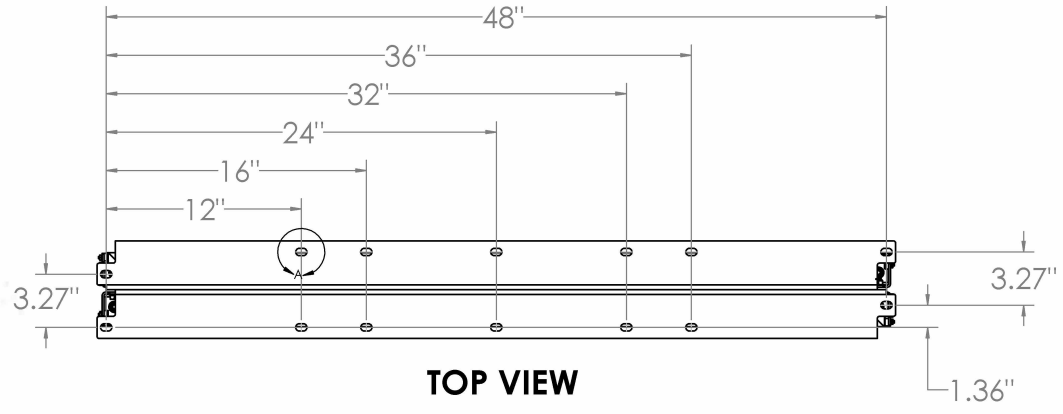
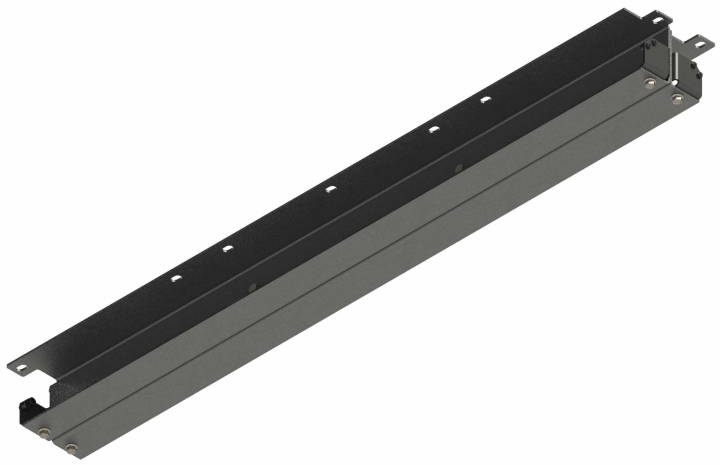


DATA SHEET

I-Beam Roller Track Mount



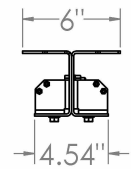
DETAIL A
SCALE 1.5 : 1



TOP VIEW



SIDE VIEW



FRONT VIEW





DATA SHEET

I-Beam Roller Track Mount



MOUNTING INSTRUCTIONS

1. Drill holes into concrete ceilings or floor joists with dimensions provided in the Installation Drawings.

For Floor Joists:

2. Position I-Beam Roller Track Mount.
3. Use socket wrench or similar tool to initially lag the screws in.
4. Tighten all screws.

For Concrete Ceilings:

2. Hammer in concrete stud bolts into holes.
3. Place I-Beam Roller Track Mount into the Concrete stud bolts.
4. Affix washers into stud bolts.
5. Fasten hex nuts onto stud bolts using a wrench or a similar tool.

PRODUCT DETAILS

- Fabricated from 10 Gauge steel for superior strength (4 ft section).
- Can be mounted to open ceiling joists, drywall, concrete, or Unistrut.
- Special interlocking ends allow for addition of move Rail Sections.
- 600lbs weight capacity per 4 Foot section.
- Mounting hardware included.
- Durable black texture powder coat finish.
- Made in the USA.

