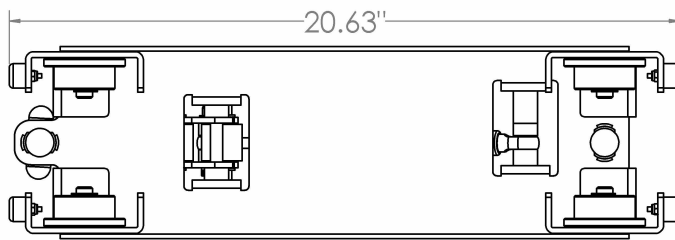
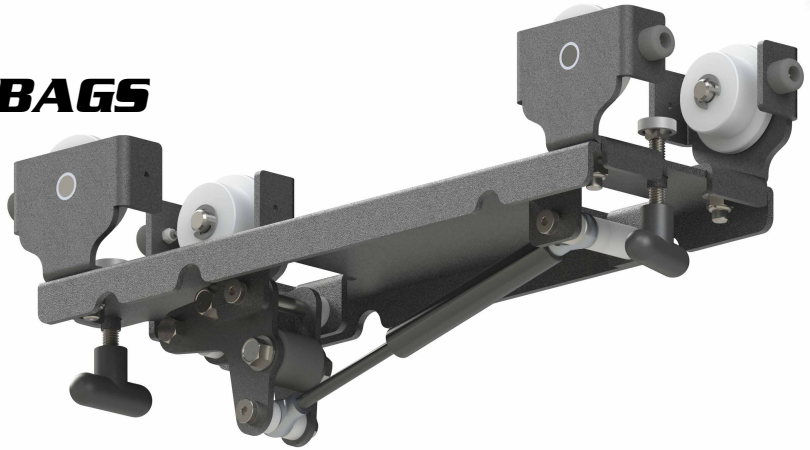




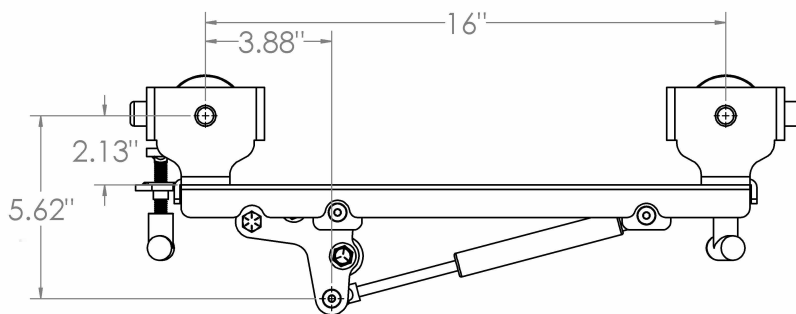
DATA SHEET

GS Roller Hybrid

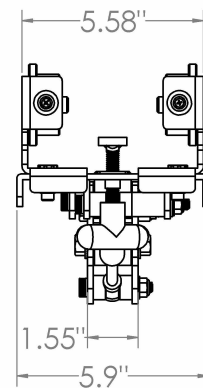
MODEL T1020
- UP TO 130LB BAGS



TOP VIEW



SIDE VIEW



FRONT VIEW

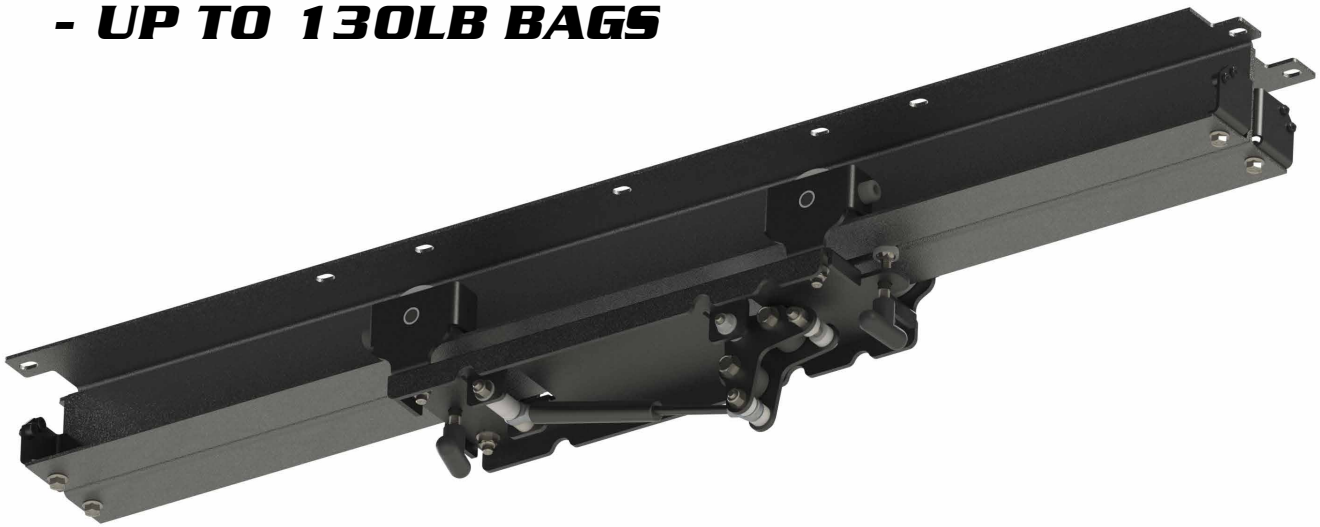




DATA SHEET

GS Roller Hybrid

MODEL T1020
- UP TO 130LB BAGS



PRODUCT DETAILS

- Equipped with Gas Springs to dampen vibration.
- For Heavy Bags 70 lbs to 130 lbs .
- Fabricated from 3/16" steel for superior strength.
- Every Ceiling Mount is assembled to a specific bag weight +/- 10lbs.
- Gas shock can be changed to accommodate different bags.
- Easily attaches to open joists, drywall, concrete, and Unistrut.
- Black Textured Powder Coating for Durable Lasting Finish.
- Installs in minutes.
- All mounting hardware included.
- Does not include the swivel or Extensions .
- Made in USA.





DATA SHEET

GS Roller Hybrid

MODEL T1020 - UP TO 130LB BAGS



MOUNTING INSTRUCTIONS

1. Position Roller Track Stopper on one end of I-Beam Roller Track Mount.
2. Insert and fasten hex nuts onto stud bolts using a wrench or a similar tool.
3. Insert GS Roller Hybrid into I-Beam Roller Track Mount.
4. Hand tighten set screws to lock GS Roller Hybrid in desired position.
5. Position Roller Track Stopper on other end of I-Beam Roller Track Mount.
6. Insert and fasten hex nuts onto stud bolts using a wrench or a similar tool.

