

Integrated LED Step Light



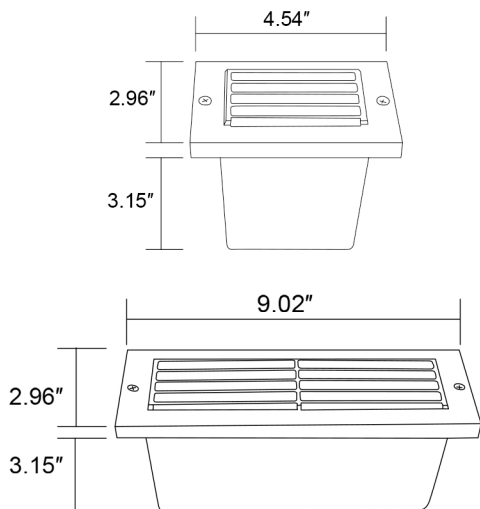
STB02



STB03

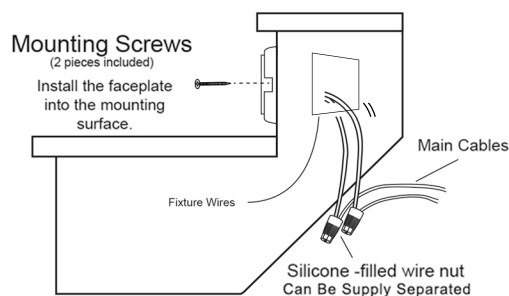
Template of backplate

NO BACKBOX REQUIRED



Caution:

- Fixture must be installed in accordance with all local codes
- Fixture should be used "ONLY" with low voltage landscape power units that do not exceed 25A, 15V. The power units reduce the voltage from 120V to 12 volts.
- To avoid electrical shock, disconnect the power unit before installation or service.



STB02, STB03
Sideview of wall mounting



INSTALLATION FOR EXISTING STEPS & WALLS:

1. By using the back plate, mark the center of the "thru-hole" on step or wall. This mark is the drilling point in order to feed fixture wire through step or wall.
2. Make a 1/2" hole on step or wall where center point of "thru-hole" is marked.
3. Use the fixture to line up the "thru-hole" with the 1/2" hole you have made in the step or wall. Next, mark the locations of the (2) two mounting holes on step or wall and install anchors for concrete, brick, stone, or blocks. For wood applications use mounting screws only.
4. Pull the fixture cord wire out of step or wall, and install the fixture with the mounting screws. Verify that the "thru-hole" on back plate is lined up with the 1/2" hole made on the step or wall.
5. Connect the fixture cord wire to main cable by using approved connector (sold separately).
6. Provide 12V landscape power source and connect it to the main cable, and verify proper operation.

INSTALLATION FOR NEW STEPS & WALLS:

1. Determine the location of fixture by using masonry/concrete procedures. Run and install one 3/4" conduit at the location where the center point of "thru-hole" on the back plate will be located. Extend the conduit all the way through the structure, so the cord wire can run through to the rear.
2. Pour concrete on structure of step or wall. If the location of the fixture is not certain or hole drilling is preferred complete the masonry/concrete work, and follow the instructions for **Installation for Existing Steps & Walls**.
3. Cut the 3/4" conduit on fixture side so it's level with the surface of the step or wall. Use the fixture to line up the "thru-hole" with the 3/4" conduit. Next mark the locations of the (2) two mounting holes on step or wall and install the wall anchors on structure.
4. Pull the fixture cord wire out of step or wall, and install the fixture with the mounting screws. Verify that the "thru-hole" on back plate is lined up with the 3/4" conduit made on the step or wall.
5. Connect the fixture cord wire to main cable by using approved connector (sold separately).
6. Provide 12V landscape power source and connect it to the main cable, and verify proper operation.

Housing- Limited lifetime warranty from date of invoice. LED Module- Three(3) year warranty from date of invoice.