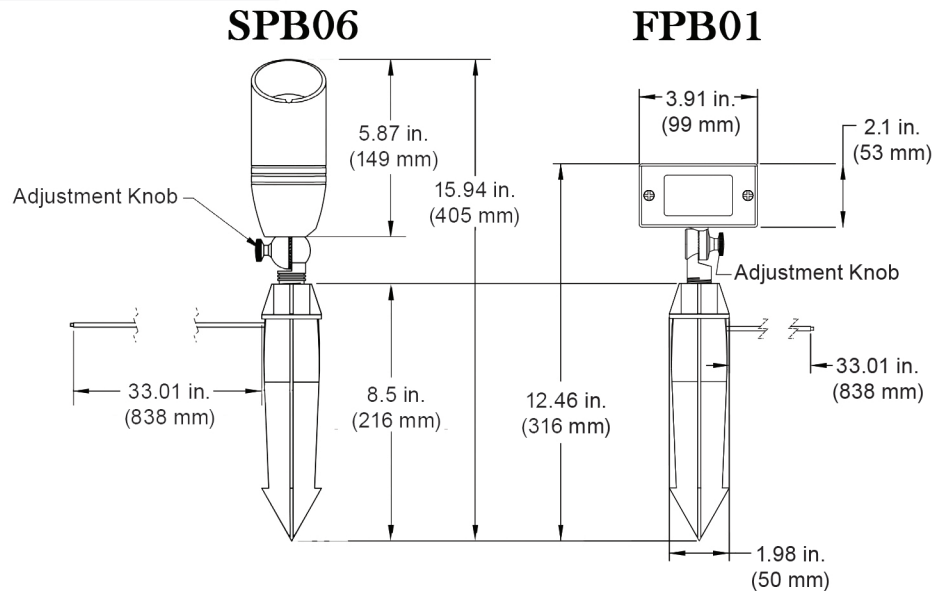


LED-Ready Landscape Lights

Troubleshooting

Problem	Possible Cause	Probable Solution
Fixture does not light	<ol style="list-style-type: none"> 1. There is no power to 12 V power supply. 2. Wire connection loose. 3. Primary landscape wire is not connected to 12 V power supply or wire has a disconnection. 4. Minimum load requirement not met. 	<ol style="list-style-type: none"> 1. Check the outlet to 12 V power supply and ensure that a breaker or GFCI circuit has not been tripped. 2. Check wiring to ensure it is securely connected. 3. Check primary landscape wire connection to 12 V power supply. Next, follow wires from fixture to 12 V power supply to ensure continuous run and/or follow wires between problematic fixture and nearest working fixture. 4. Consult power supply specifications/manual and make certain minimum load requirement is met.
Light flickers (one fixture)	<ol style="list-style-type: none"> 1. There is a loose connection to primary landscape wire. 	<ol style="list-style-type: none"> 1. Check wire connections.
Light flickers (multiple fixtures)	<ol style="list-style-type: none"> 1. There is a loose connection to 12 V power supply. 2. Minimum load requirement not met. 	<ol style="list-style-type: none"> 1. Disconnect power to power supply. Check primary landscape wire for loose connections or possible short. 2. Consult power supply specifications/manual and make certain minimum load requirement is met.
Light is dim	<ol style="list-style-type: none"> 1. Maximum load of 12 V power supply has been exceeded. 2. Recommended run length of the landscape wire has been exceeded. 	<ol style="list-style-type: none"> 1. Check for other lights or load on same system and/or increase 12 V power supply wattage. 2. Increase primary landscape wire guage size.

Dimensional Drawings



LED-Ready Landscape Lights Installation Manual



SPB06



LED-Ready Landscape Lights

Safety and Notes

- For use with OUTDOOR, low-voltage landscape lighting systems ONLY.
- Do not submerge in water—NOT FOR USE with submersible or pool/spa equipment.
- This light fixture is only suitable for a 12–15 Volt AC or DC power supply. Do not exceed 80% of power supply max output.
- Use appropriate landscape wire
- Spikes are very sharp, handle with care.
- The images shown are for illustration purposes and may not directly represent all models.

Parts Included

- 1- Low Voltage Path Fixture (bulb not included)
- 1 - Mounting Stake

Note: Bulbs must be purchased separately.
 SPB06 lights require an MR16 bulb. FPB01 lights require a G4 bulb.

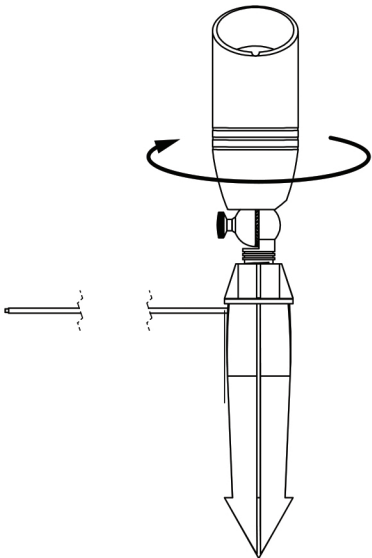
Recommended Accessories

Part No.	Description
WN12	Silicone Filled Wire nut
LW14	14 Gauge Landscape Wire
LW12	12 Gauge Landscape Wire

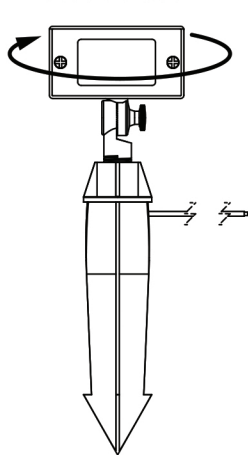
Assembly

1. Install bulb (purchased separately).
SPB06 - Turn the top of the housing counterclockwise to release and gently pull apart. Install MR16 bulb and reinstall top housing.
FPB01 - Unscrew 2 lens retaining screws. Install G4 bulb and replace lens.
2. Run cable through stake and thread fixture into it.

SPB06

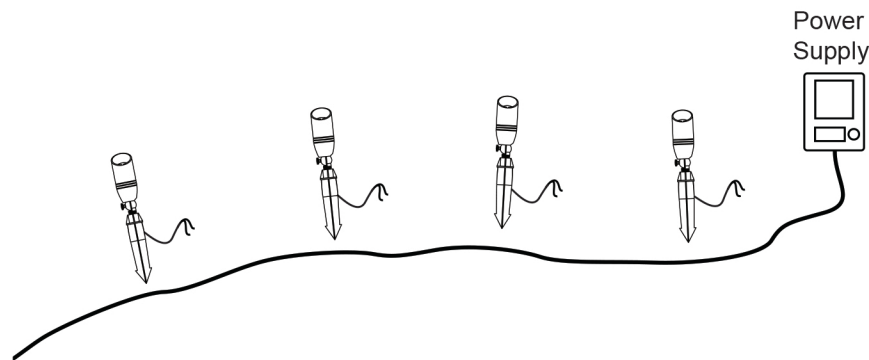


FPB01



Installation Instructions

1. After assembly, lay fixtures out as they will be installed.
2. Run landscape wire from 12 V supply past each light. Wire must be within 30" of mounting stake to allow power connections to be made.



3. Properly connect each light to landscape wire. Wrap all connections in self-fusing tape
4. Using a trowel (and water as needed), loosen ground where fixture will be installed. Gripping the stake ONLY, press stake into ground.

Caution: Do not use a hammer or exert force on fixture itself during installation as doing so may cause damage.

5. Turn on 12 V supply and ensure all fixtures are working. If there are any issues, refer to the troubleshooting guide in this manual.
6. Dig a small channel—depth of 3" is recommended—and bury landscape wiring and connections. Stone and mulch are also suitable coverings.

SPB06

