

ROUND LED RECESSED CEILING LIGHT

User Manual

Model NO.:CB04
AC/DC 12V



GENERAL: All electrical connections must be in accordance with local and National Electrical Code (N.E.C.) standards. If you are unfamiliar with proper electrical wiring connections, contact and obtain the services of a qualified electrician. Use UL or IEC approved wire only for input/output connections.

Remove fixture and mounting components from the box, and make sure that no parts are missing, by referencing the illustration in the illustration instructions.

DIMMING: This product is compatible with most common residential type dimmers. Dimming performance will depend upon dimmer, dimmer settings (dimmers with adjustments to brightness range), wiring method, and number of LED modules. For best results, set dimmer position at maximum before adjusting to a lower light level.

Turn power off before installation, inspection, or removal. Use all necessary precautions while performing this procedure.

Consult a qualified electrician to ensure correct branch circuit conductor. Min 90°C supply conductors.

Properly ground electrical enclosure. IT IS IMPERATIVE THAT THE OUTLET BOX BE PROPERLY GROUNDED.

DO NOT REVERSE THE HOT AND NEUTRAL CONNECTIONS, OTHERWISE SAFETY WILL BE COMPROMISED.

This Integrated LED Fixture has no lamp/bulb to replace.



TROUBLESHOOTING

- Check that line voltage at fixture is correct.
- Ensure that there is voltage at lamp fixture wires. If there is no voltage, then check all connections.
- Check that fixture is grounded properly.

If fixture does not light:

- Check switch to ensure that there are no defects.
- Check fuse/circuit breaker for trips, then check wiring connections.



CLEANING AND MAINTENANCE:

CAUTION: Ensure fixture temperature is cool enough to touch.
DO NOT clean or perform maintenance while fixture is energized.

- Clean lens and fixture with non-abrasive cleaning solution.
- Do not open fixture to clean LED. Do not touch the LED.
- Do not spray liquid directly on to LED, LED driver or wiring.

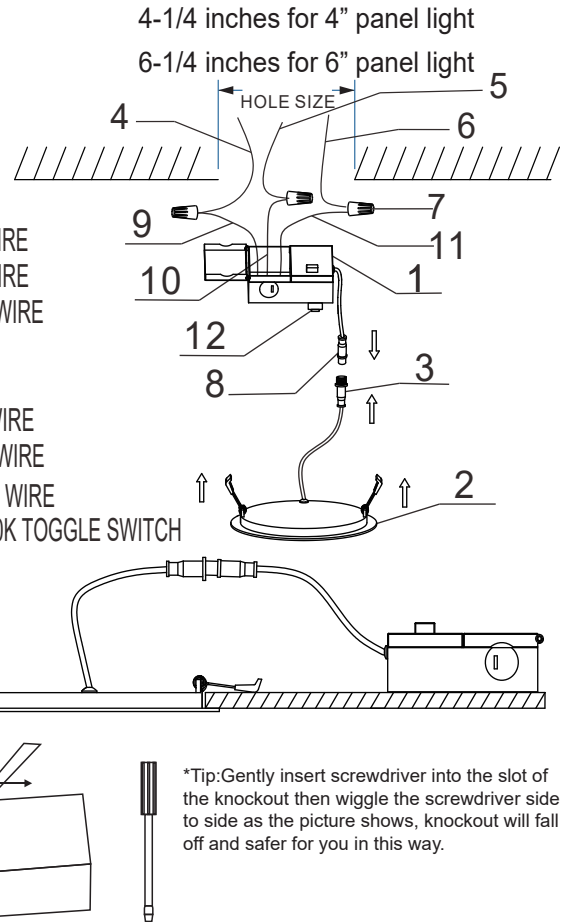


3-Year Limited Warranty

LIMITED WARRANTY: This fixture is warranted to be free from defects in workmanship and material for up to 3-years. Based upon reasonable household usage, when used in accordance with package and included instructions. If this fixture does not last for the time period guaranteed, manufacture will send you a replacement fixture upon receipt of the returned fixture, register receipt, and proof of purchase. To contact us, please email us at info@cloudybaylighting.com to find out how to return the fixture. We are committed to making high quality products. Returning the fixture will help us monitor and further improve product quality. This replacement is the sole remedy available, and LIABILITY FOR INCIDENTAL OR CONSEQUENTIAL DAMAGES IS HEREBY EXPRESSLY EXCLUDED.

Figure 1

1. LED DRIVER BOX
2. PANEL LIGHT
3. CONNECTOR
4. WHITE SUPPLY WIRE
5. BLACK SUPPLY WIRE
6. HOUSE GROUND WIRE
7. WIRE NUTS
8. CONNECTOR
9. WHITE FIXTURE WIRE
10. BLACK FIXTURE WIRE
11. HOUSE GROUND WIRE
12. 3000K/4000K/5000K TOGGLE SWITCH



↓ Please follow these steps for installation. ↓

1. SHUT OFF MAIN ELECTRICAL SUPPLY FROM THE MAIN FUSE BOX / CIRCUIT BREAKER!
2. Cut a round shape hole in the ceiling. Diameter of the hole is 6-1/4 inches for 6" panel light or 4-1/4 inches for 4" panel light.
3. Adjust the CCT via TOGGLE SWITCH of LED DRIVER BOX (1). 3000K = warm white, 4000K = cool white, 5000K = day light.
4. Open the cover of LED DRIVER BOX, connect the wires THROUGH the knock-out by using the wire nuts attached:
WHITE SUPPLY WIRE (4) to WHITE FIXTURE WIRE (9)
BLACK SUPPLY WIRE (5) to BLACK SUPPLY WIRE (10)
HOUSE GROUND WIRE (6) to FIXTURE GROUND WIRE (11)
5. Put on the cover of LED DRIVER BOX, then put it into the ceiling next to the hole.
6. Plug the connector (3) and (8). Be careful! There is an arrow mark on the connector to help you plug easily.
7. Bend the spring clips of PANEL LIGHT (2), target to the ceiling hole and push panel light. When the spring clips are fixed on the ceiling, installation completed.
8. Turn on power supply to check the lights.

This device complies with Part 15 of the FCC Rules.

Operation is subject to the following two conditions (1) this device may not cause harmful interference, and (2) this device must accept any interference received including interference that may cause undesired operation.