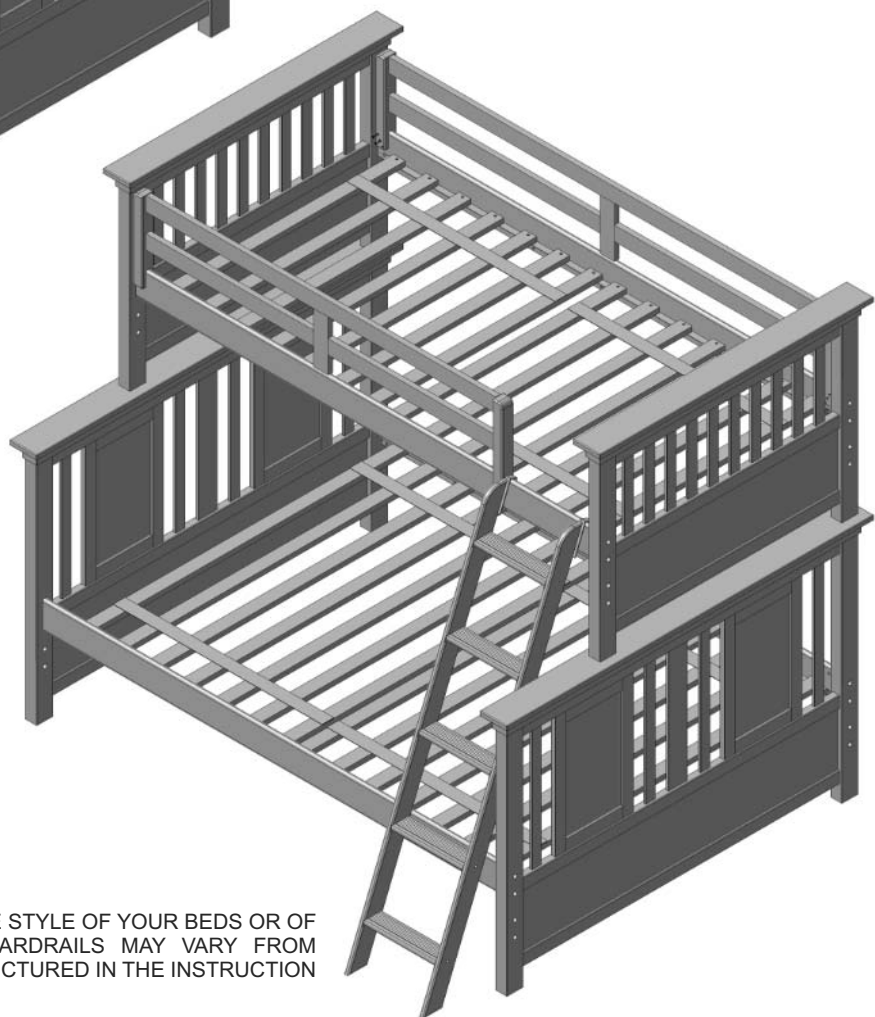
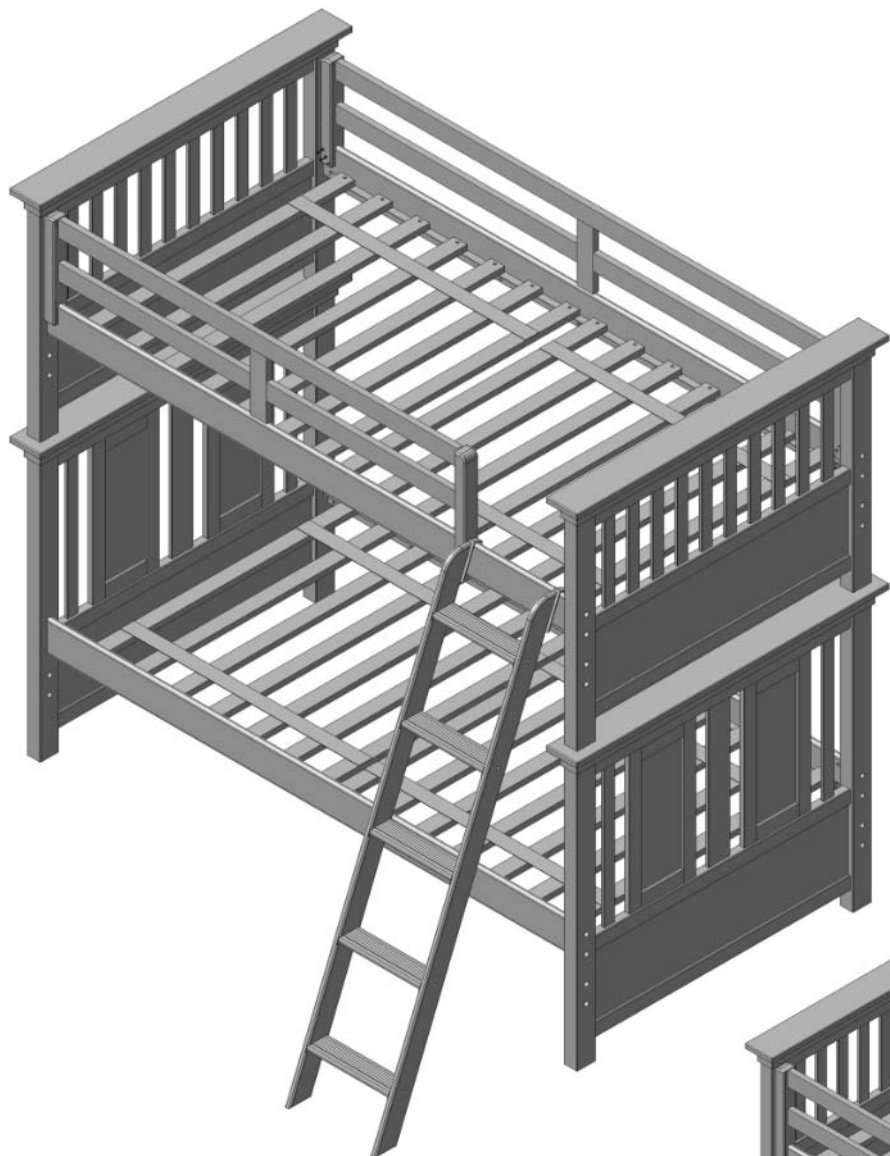


ASSEMBLY INSTRUCTIONS FOR 5515 TT AND 5515 TF BUNK BEDS



Romina®
Furniture

20 Corporation Row, Edison, NJ 08817
Phone (718) 478 5100, Fax (718) 478 5117
www.rominafurniture.com

NOTE: THE STYLE OF YOUR BEDS OR OF
YOUR GUARDRAILS MAY VARY FROM
WHAT IS PICTURED IN THE INSTRUCTION
SHEET

IMPORTANT:
PLEASE, READ ALL INSTRUCTIONS BEFORE ASSEMBLING!
PLEASE, SAVE INSTRUCTIONS FOR FUTURE USE

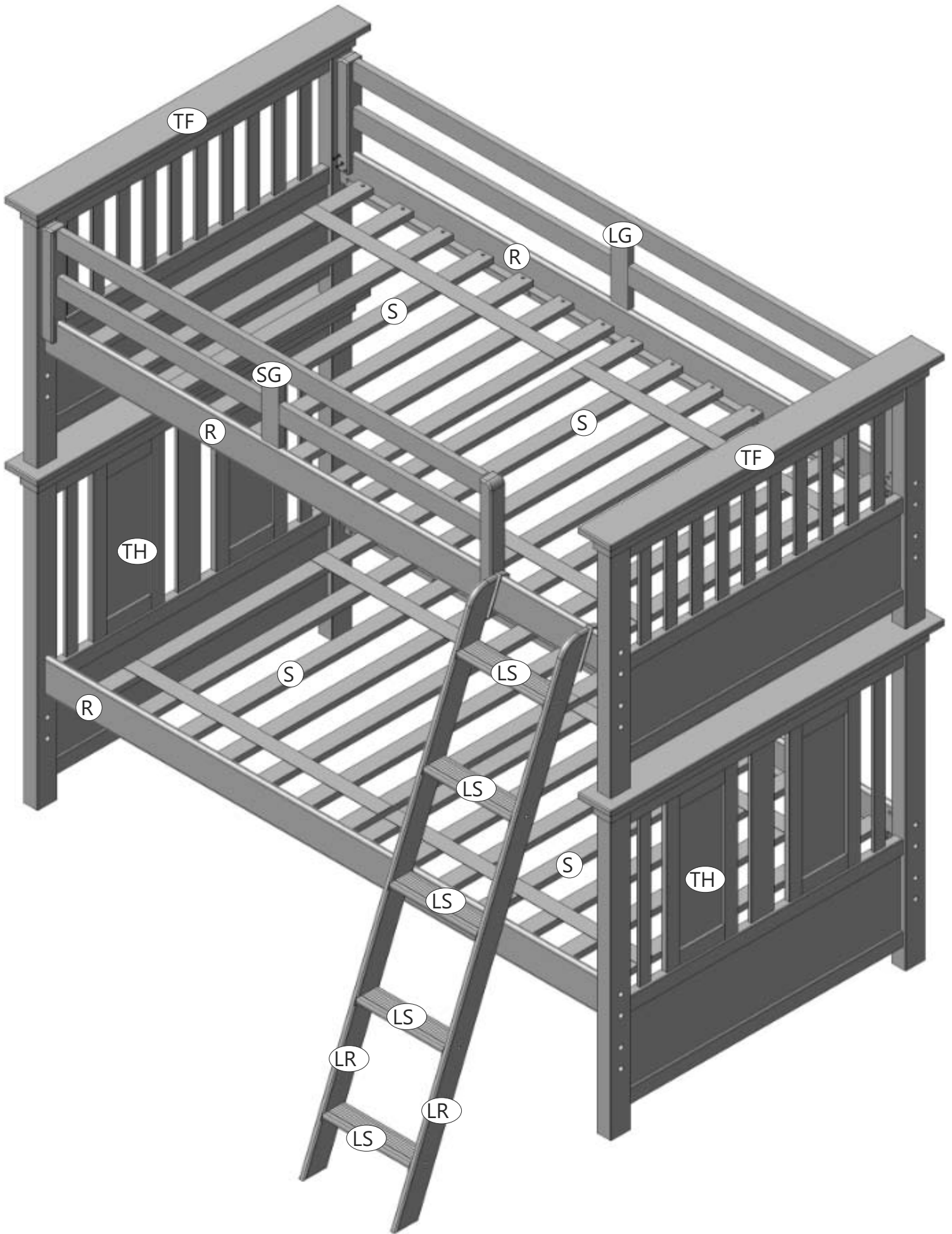
 **WARNING!**

TO HELP PREVENT SERIOUS OR FATAL INJURIES FROM ENTRAPMENT OR FALLS:

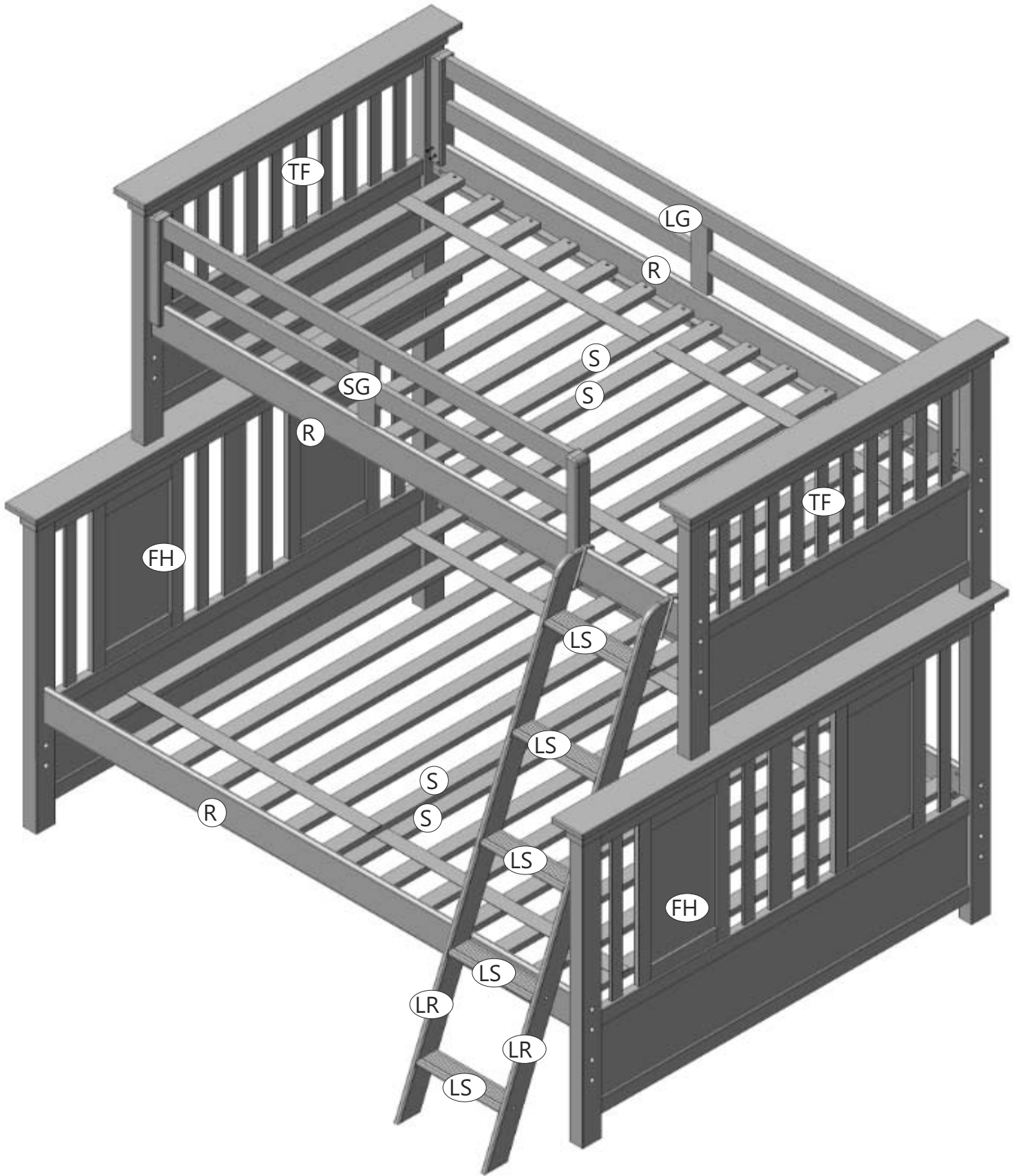
- USE ONLY A TWIN SIZE MATTRESS ON UPPER BUNK, WITH A THICKNESS NOT EXCEEDING 8 1/4 IN.
- ALWAYS USE GUARDRAILS ON BOTH LONG SIDES OF UPPER BUNK.
- SURFACE OF MATTRESS MUST BE AT LEAST 5 IN. (127MM) BELOW THE UPPER EDGE OF GUARDRAILS.
- ALWAYS USE LADDER FOR ENTERING AND LEAVING UPPER BUNK.
- NEVER ALLOW A CHILD UNDER 6 YEARS ON UPPER BUNK.
- PROHIBIT HORSEPLAY AND JUMPING ON OR UNDER BED(S).
- PROHIBIT MORE THAN ONE PERSON ON UPPER BUNK.
- DO NOT USE THE UPPER BUNK IF THE GUARDRAILS AND THE LADDER ARE NOT PROPERLY ATTACHED AND FIXED IN THEIR PLACES.
- IF THE BUNK BED WILL BE PLACED NEXT TO A WALL, THE GUARDRAIL THAT RUNS THE FULL LENGTH OF THE BED SHOULD BE PLACED AGAINST THE WALL TO PREVENT ENTRAPMENT BETWEEN THE BED AND THE WALL.
- PERIODICALLY CHECK AND ENSURE THAT THE GUARDRAILS, LADDER AND OTHER COMPONENTS ARE IN THEIR PROPER POSITION, FREE FROM DAMAGE, AND THAT ALL CONNECTIONS ARE TIGHT.
- DO NOT SUBSTITUTE PARTS. PLEASE, CONTACT ROMINA FURNITURE DEALERS FOR REPLACEMENT PARTS.
- THE USE OF A NIGHT-LIGHT MAY PROVIDE ADDED SAFETY PRECAUTION FOR A CHILD USING THE UPPER BUNK.
- THE USE OF WATER OR SLEEP FLOTATION MATTRESSES IS PROHIBITED.
- PACKAGING MATERIAL, SMALL PARTS & PLASTIC BAGS ARE HAZARDOUS TO SMALL CHILDREN. PLEASE DISPOSE OF THEM IMMEDIATELY!
- REPLACEMENT PARTS, INCLUDING ADDITIONAL GUARDRAILS, MAY BE OBTAINED FROM ANY OF ROMINA FURNITURE DEALERS (SEE WWW.ROMINAFURNITURE.COM FOR DEALERS LIST)
- FOLLOW THE INFORMATION ON THE WARNINGS APPEARING ON THE UPPER BUNK END STRUCTURE AND ON THE CARTON. DO NOT REMOVE WARNING LABEL FROM BED.
- ALWAYS USE THE RECOMMENDED SIZE MATTRESS TO HELP PREVENT THE LIKELIHOOD OF ENTRAPMENT OR FALLS.
- STRANGULATION HAZARD** - NEVER ATTACH OR HANG ITEMS TO ANY PART OF THE BUNK BED THAT ARE NOT DESIGNED FOR USE WITH THE BED; FOR EXAMPLE, BUT NOT LIMITED TO, HOOKS, BELTS AND JUMP ROPES.

KEEP THESE INSTRUCTIONS FOR FUTURE REFERENCE!

5515 TT



5515 TF



5515 TT BOX CONTENT

Please locate and confirm
you have the following parts:

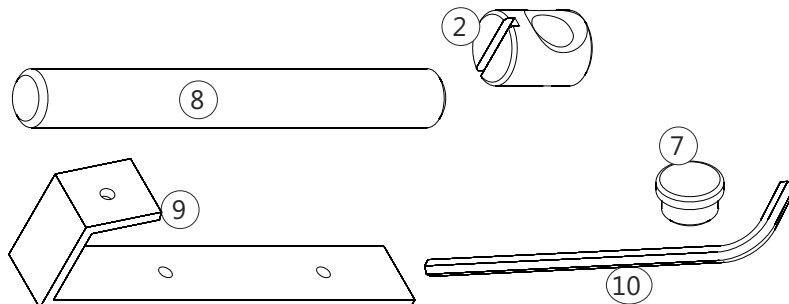
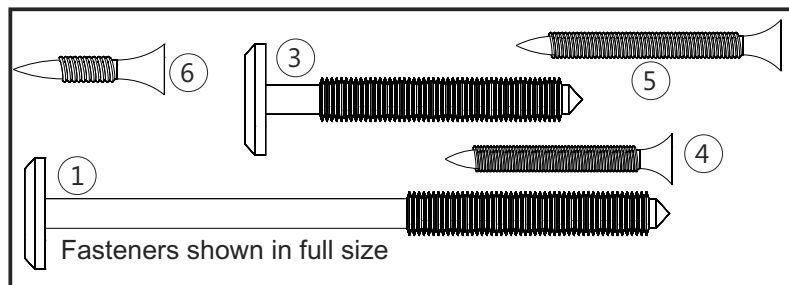
- TF. "twin" type footboard = 2
- TH. "twin" type headboard = 2
- R. rails = 4
- S. group of 7 support slats assembled with 2 textile ribbons = 4
- SG. short guardrail = 1
- LG. long guardrail = 1
- LS. ladder stairs = 5
- LR. ladder rails = 2

One bag of hardware with the following:

1. Allen bolts (80mm - 3 1/8") = 16
2. barrel nuts = 16
3. Allen bolts (40mm - 1 9/16") = 10
4. wood screw (25mm - 1") = 8
5. wood screw (35mm - 1 3/8") = 16
6. wood screw (20mm - 3/4") = 6
7. wooden plugs = 32
8. steel pins = 4
9. ladder hooks = 2
10. Allen wrench = 1

Required tools: Allen wrench (supplied), Phillips screwdriver (not supplied), flat screwdriver (not supplied), hammer (not supplied)

CAUTION: Do not use a power screwdriver which can cause screws to break or strip



Note: The letter that identify a part is the first letter of the respective part name (such method is employed to facilitate parts recognition between the drawings and the parts list).

5515 TF BOX CONTENT

Please locate and confirm you have the following parts:

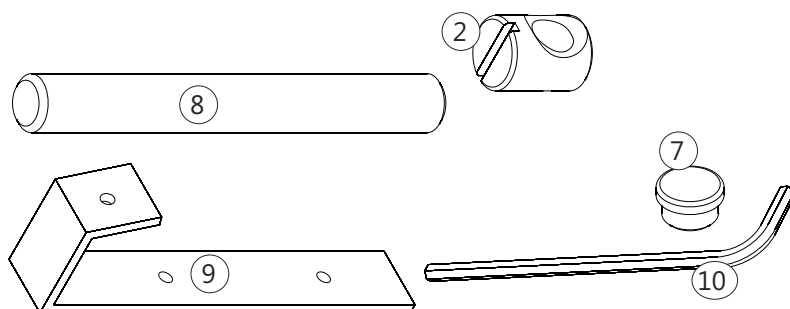
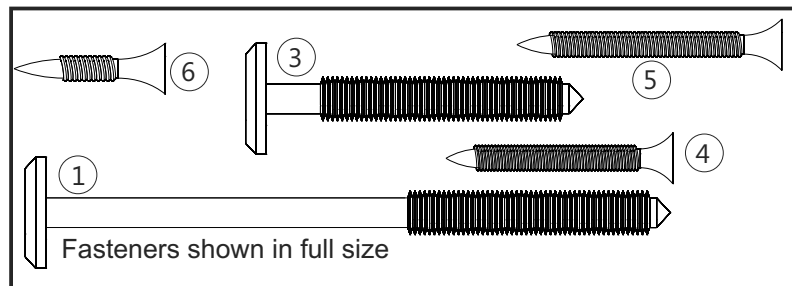
- TF. "twin" type footboard = 2
- FH. "full" type headboard = 2
- R. rails = 4
- S. group of 7 support slats assembled with 2 textile ribbons = 2+2
- SG. short guardrail = 1
- LG. long guardrail = 1
- LS. ladder stairs = 5
- LR. ladder rails = 2

One bag of hardware with the following:

1. Allen bolts (80mm - 3 1/8") = 16
2. barrel nuts = 16
3. Allen bolts (40mm - 1 9/16") = 10
4. wood screw (25mm - 1") = 8
5. wood screw (35mm - 1 3/8") = 16
6. wood screw (20mm - 3/4") = 6
7. wooden plugs = 32
8. steel pins = 4
9. ladder hooks = 2
10. Allen wrench = 1

Required tools: Allen wrench (supplied), Phillips screwdriver (not supplied), flat screwdriver (not supplied), hammer (not supplied)

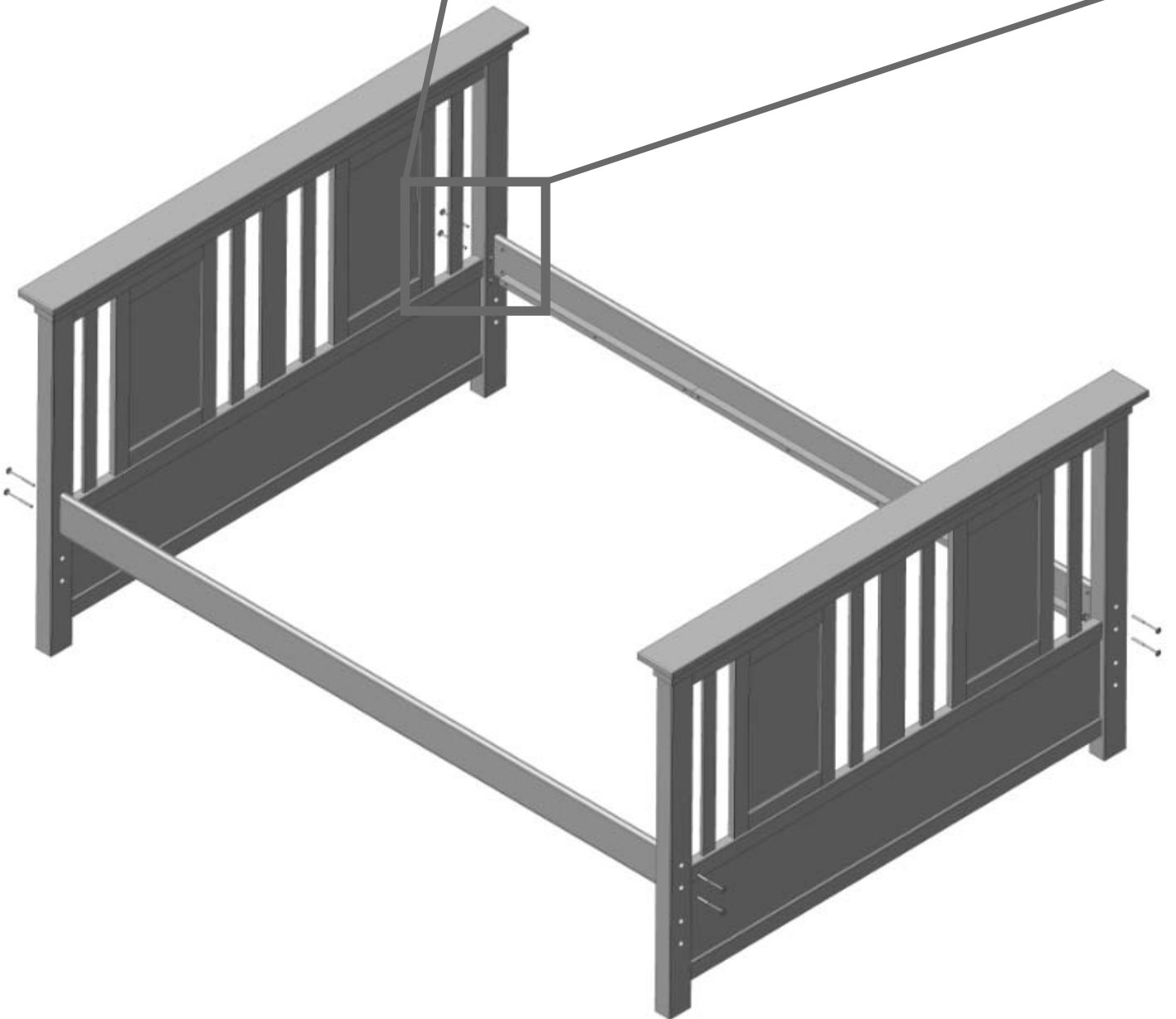
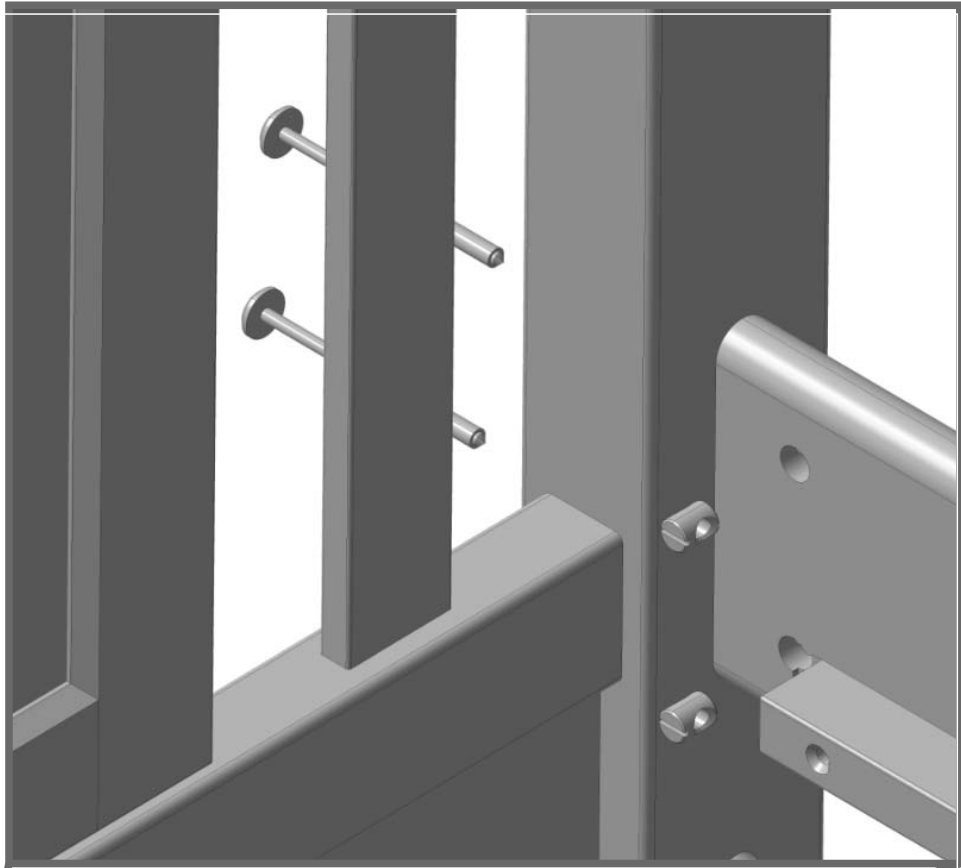
CAUTION: Do not use a power screwdriver which can cause screws to break or strip



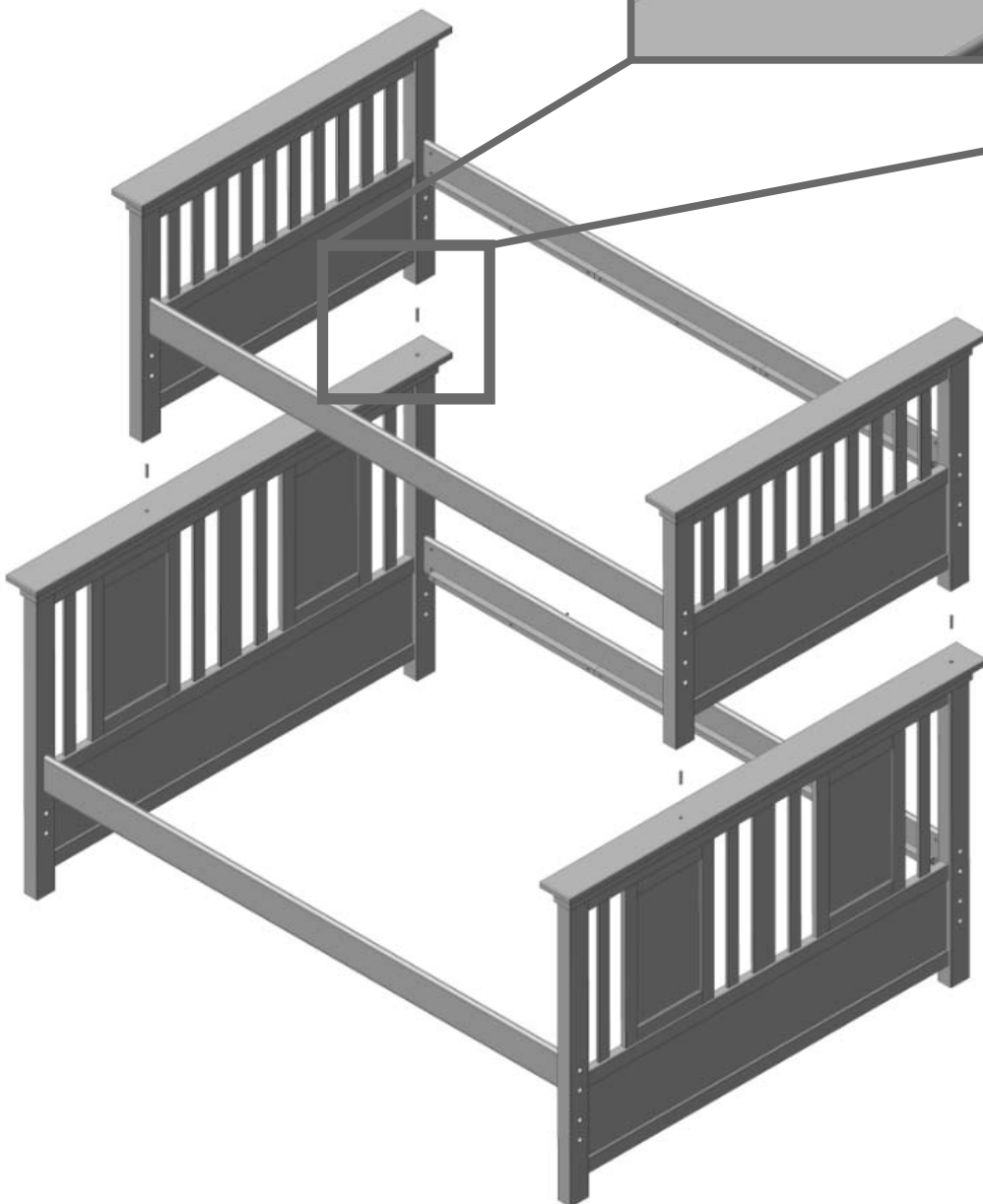
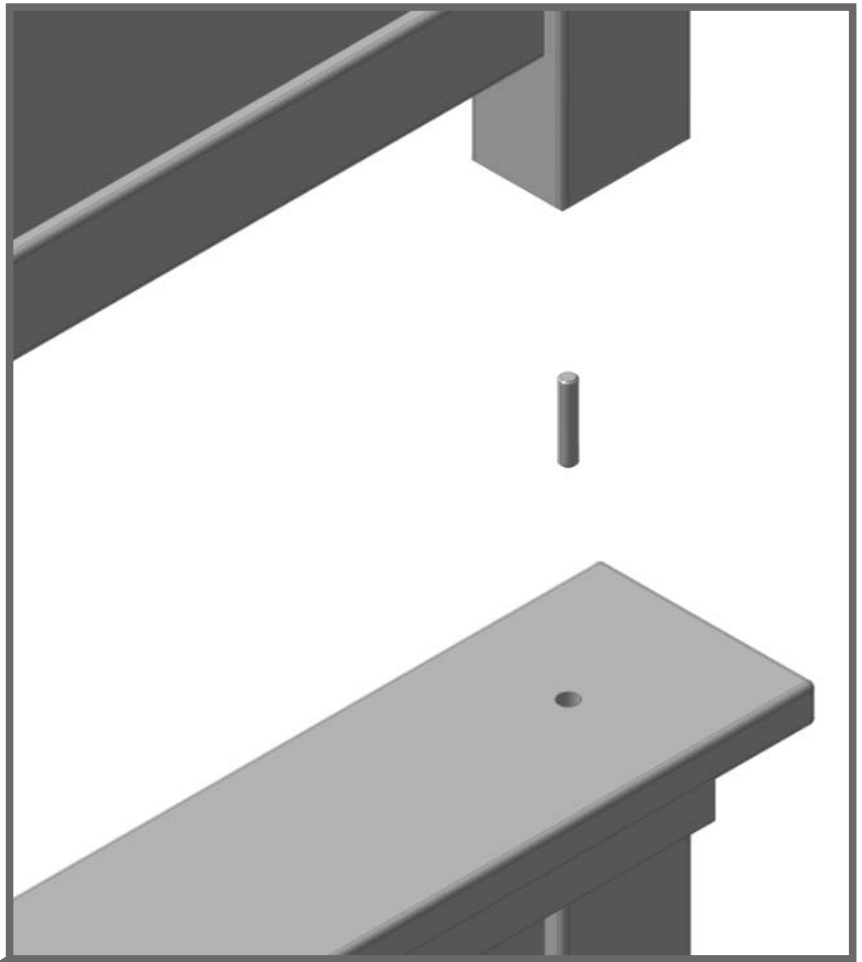
Note: The letter that identify a part is the first letter of the respective part name (such method is employed to facilitate parts recognition between the drawings and the parts list).

① x8

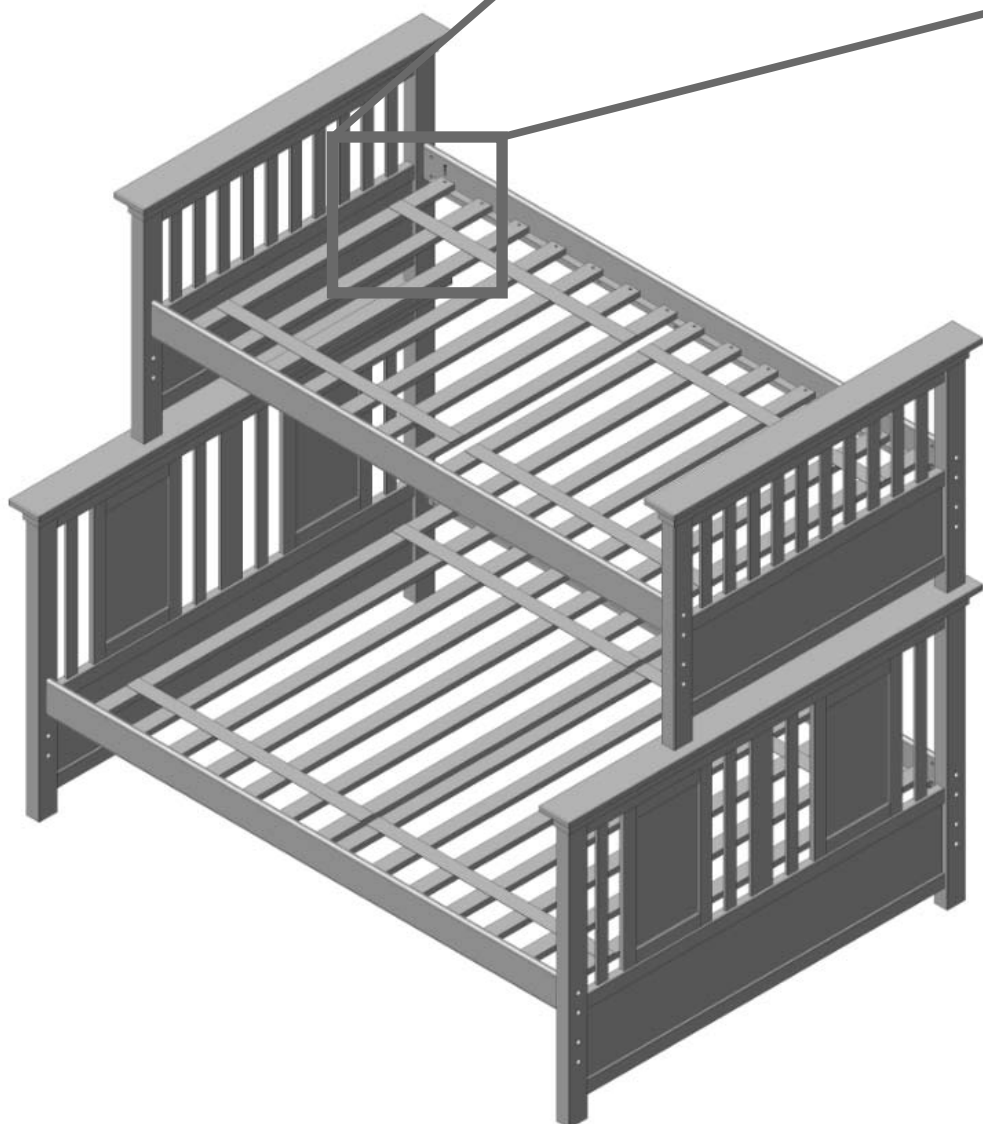
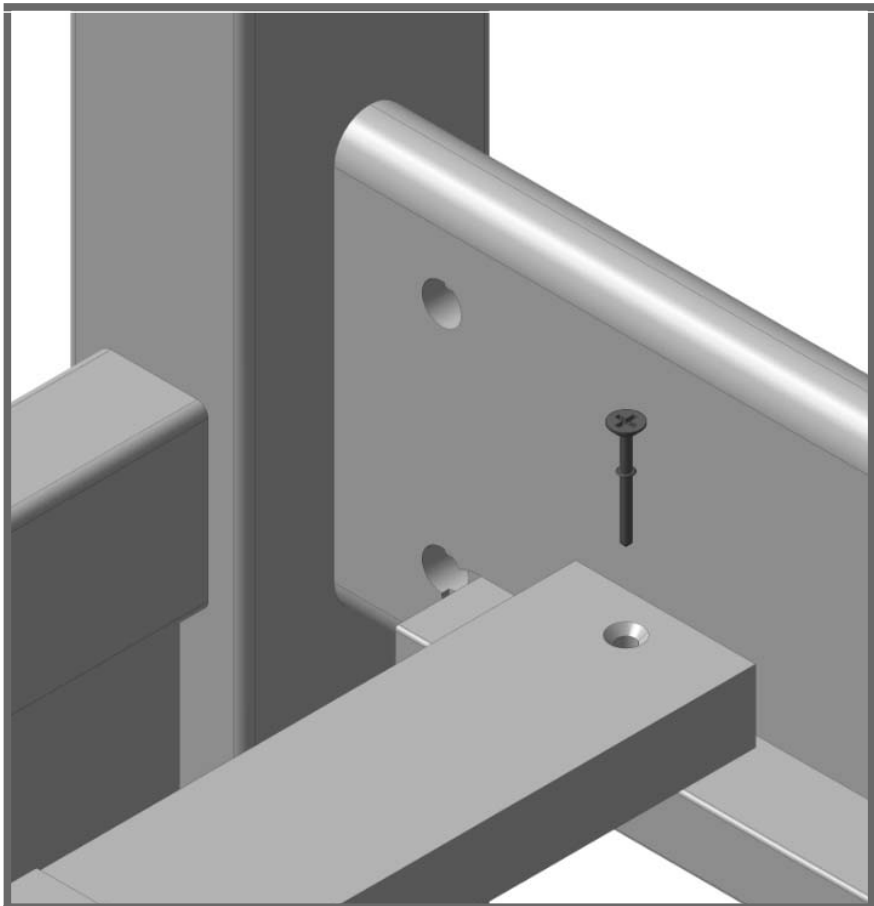
② x8



8 x4



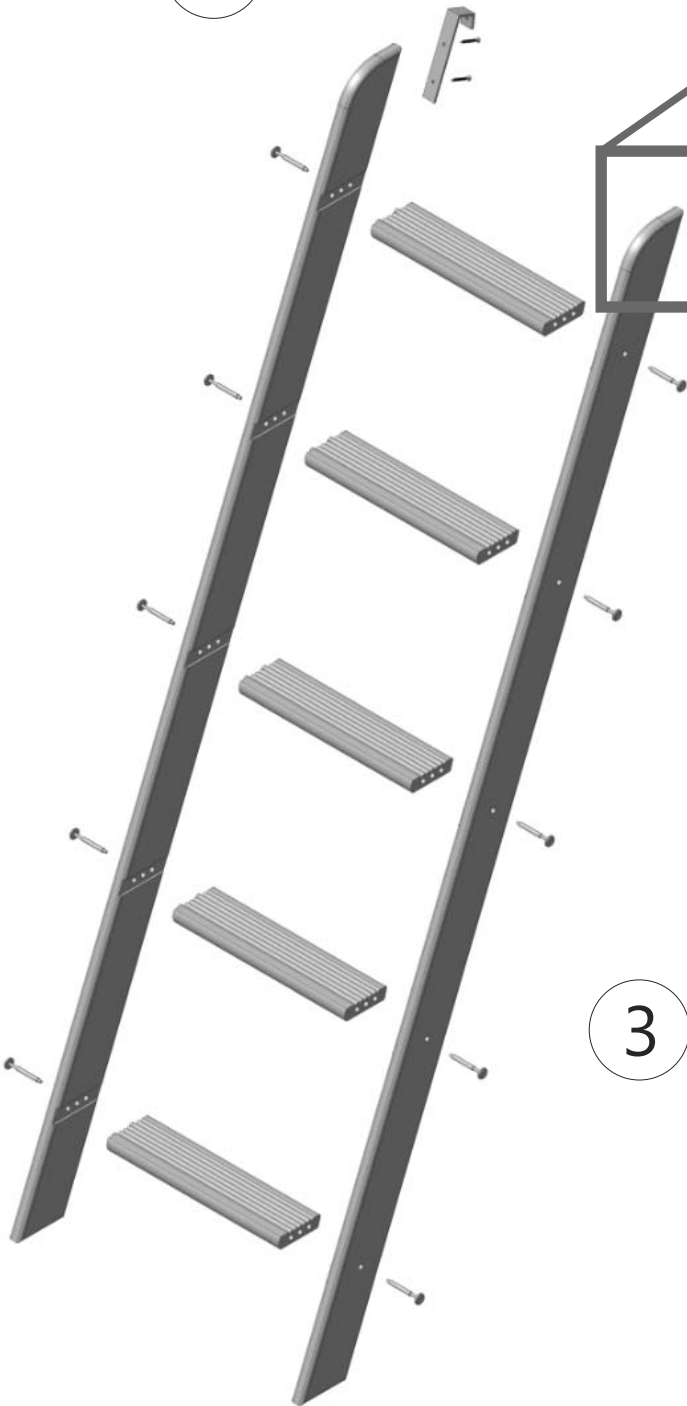
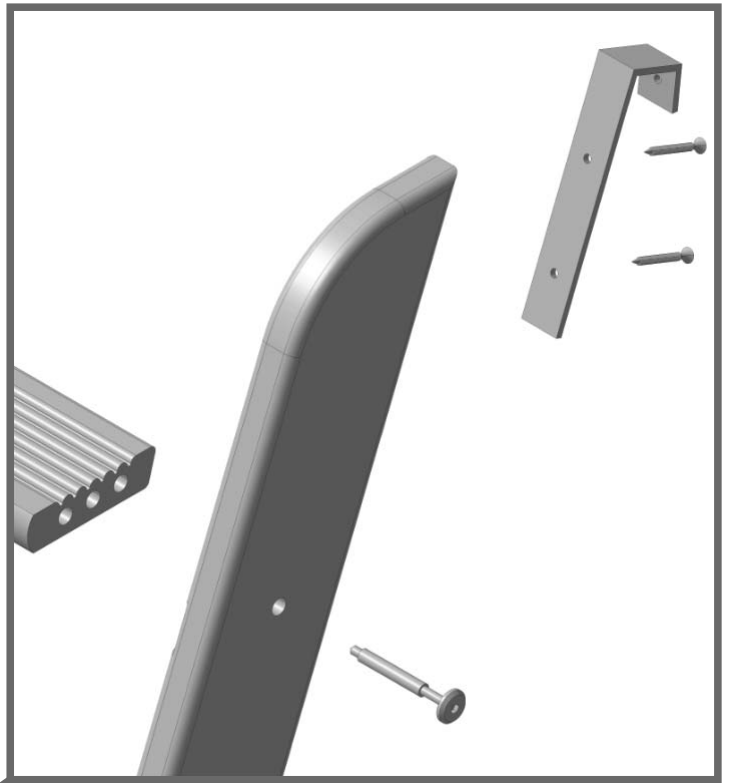
5 x16



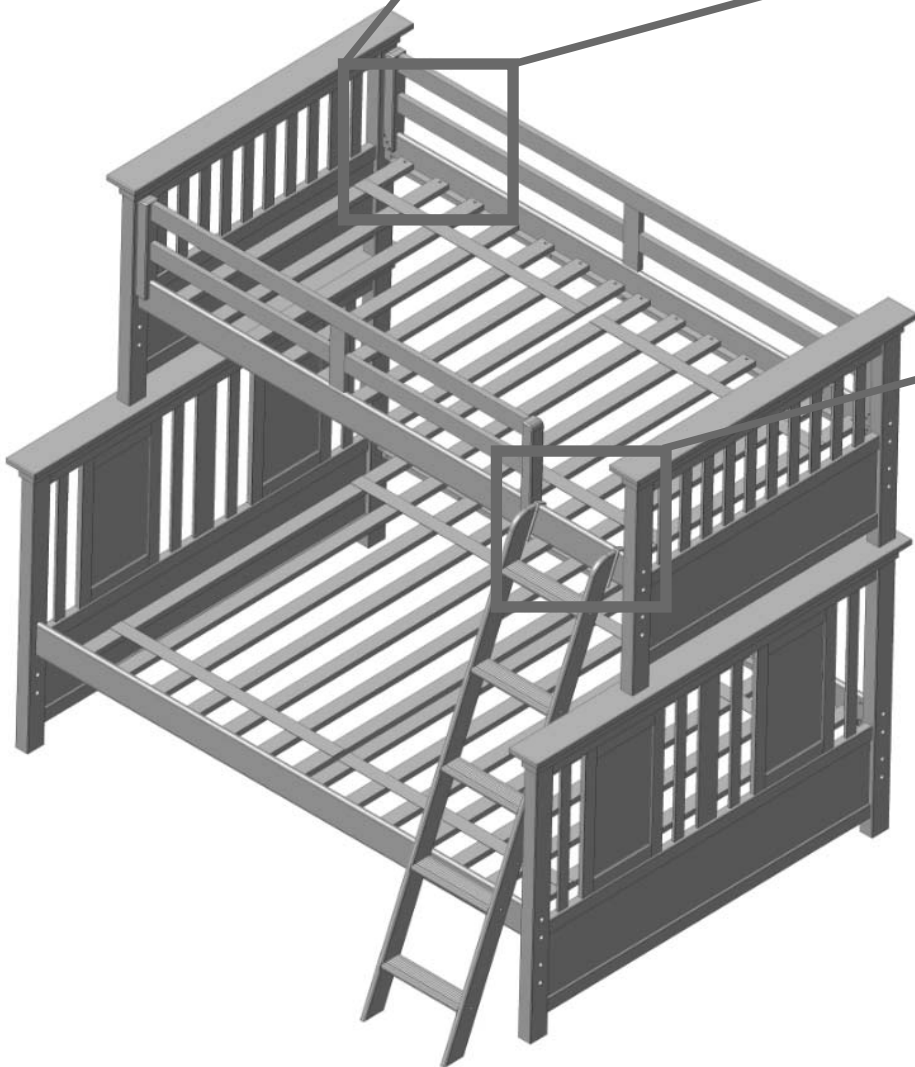
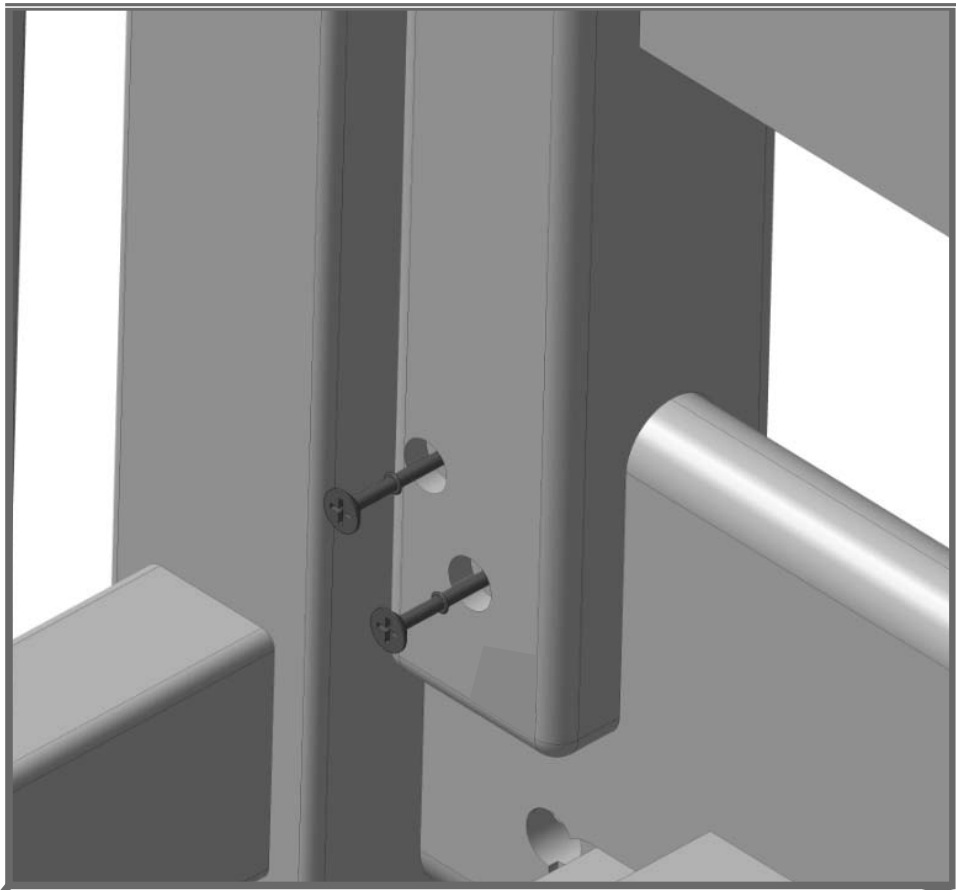
6 x4

9 x2

3 x10



4 x8



6 x2

Regular cleaning with mild soap on a soft cloth, followed by a clean damp cloth, then a dry cloth, will preserve the original luster and beauty of the fine finish of your Romina Furniture product.



Thank you for being one of our distinguished clients.

Romina[®]
furniture
Team

Visit

www.rominakidsfurniture.com

for updates, special offers and more new designs.