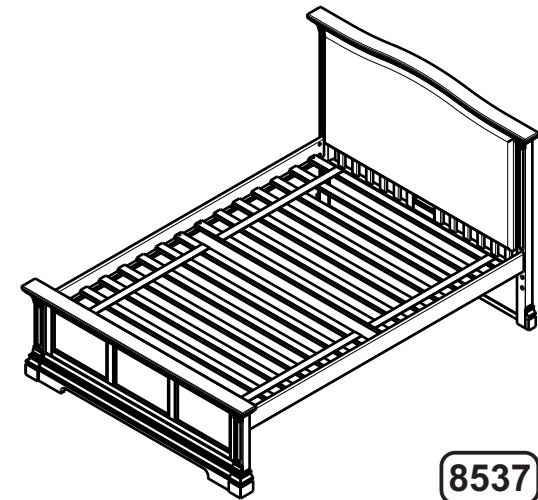
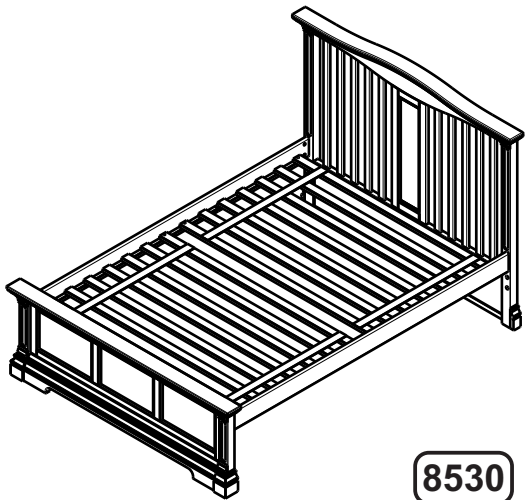
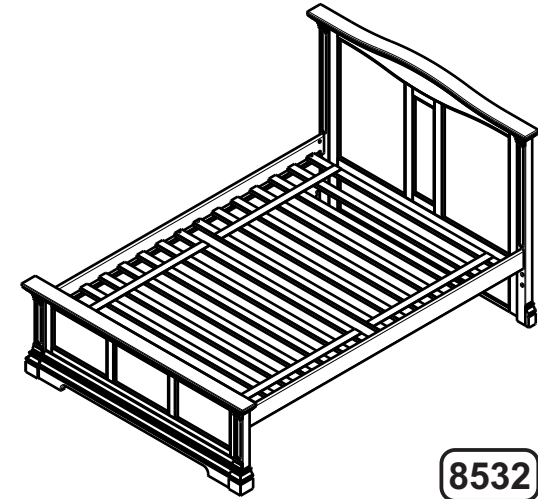
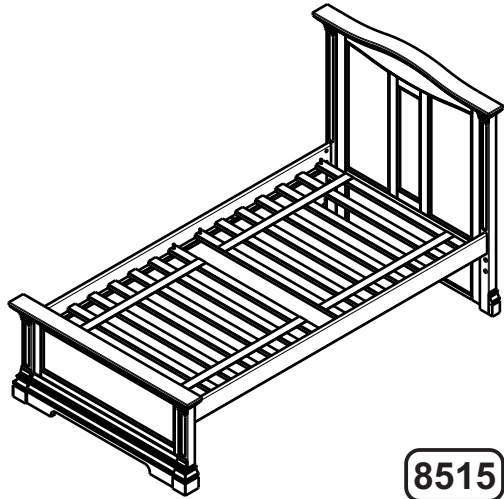


**ASSEMBLY INSTRUCTIONS**  
**FOR IMPERIO TWIN & FULL SIZE BEDS**  
**AND CONVERTIBLE CRIBS FULL SIZE BED OPTION**  
(PLEASE REFER TO “ASSEMBLY INSTRUCTIONS FOR YOUR 8501 CONVERTIBLE CRIBS”)



**IMPORTANT:**

PLEASE, READ ALL INSTRUCTIONS BEFORE ASSEMBLING!  
PLEASE, SAVE INSTRUCTIONS FOR FUTURE USE.  
THE STYLE OF YOUR BED / RAILS / ACCESSORIES MAY VARY  
FROM WHAT IS PICTURED IN THE INSTRUCTION SHEET

**Imperio twin & full beds box content:**

<b>HB</b>	headboard or tufted headboard	= 1
<b>LPFB</b>	low profile footboard	= 1
<b>BR</b>	bed rails	= 1 + 1
<b>SL</b>	group of support slats assembled with textile ribbons	= 2
<b>HK</b>	bed hardware kit	= 1

**Imperio conversion kit box content:**

<b>BR</b>	bed rails	= 1 + 1
<b>SL</b>	group of support slats assembled with textile ribbons	= 2
<b>HK</b>	bed hardware kit	= 1

**Imperio twin & full bed hardware kit:**

<b>1.</b>	wood screw (35 mm - 1 3/8")	= 8
<b>2.</b>	Allen bolt (80 mm - 3 1/8")	= 4
<b>3.</b>	barrel nut	= 4
<b>4.</b>	Allen key	= 1
<b>5.</b>	wooden cap	= 8

**Notes:**

The letters which identifies a part are the initials of the respective part name (such method is employed to facilitate parts recognition between the drawings and the parts list).

The item number of your product is located on a black and white label. Please, refer to this number in the event that you need to call **ROMINA FURNITURE** or your local distributor. Thank you.

**WARNING!**

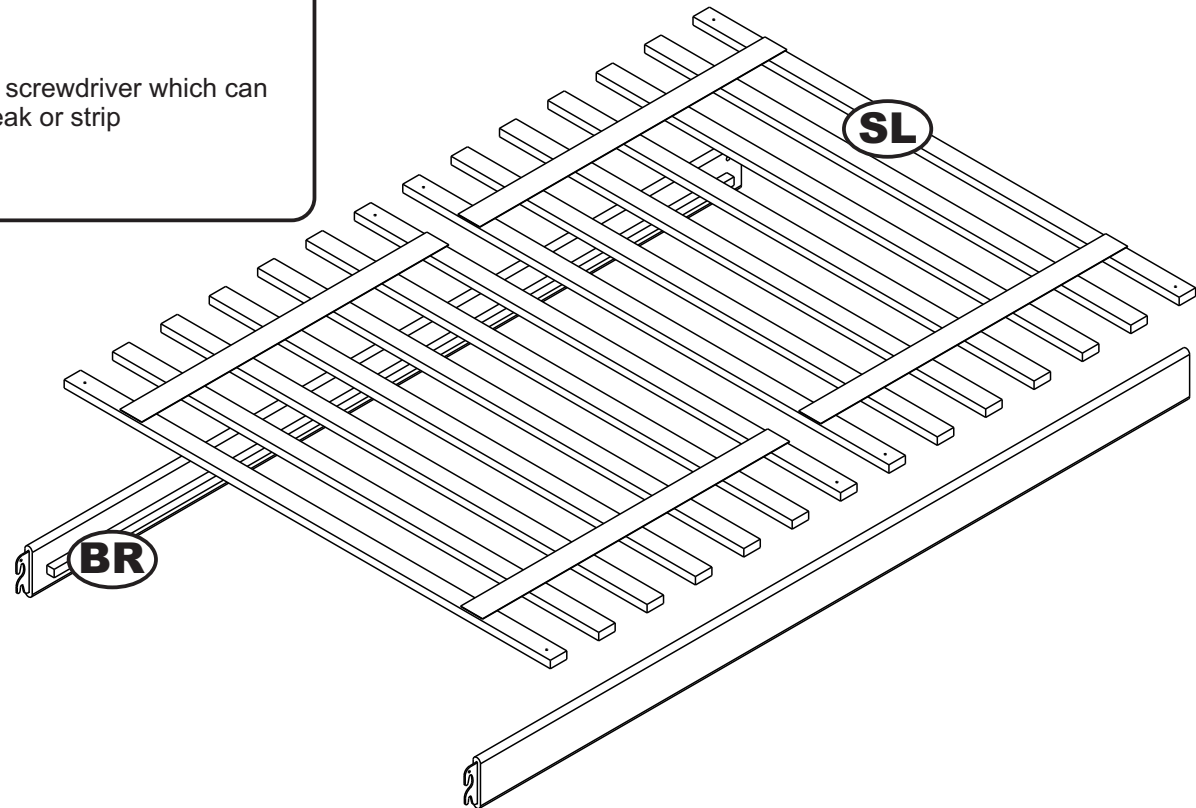
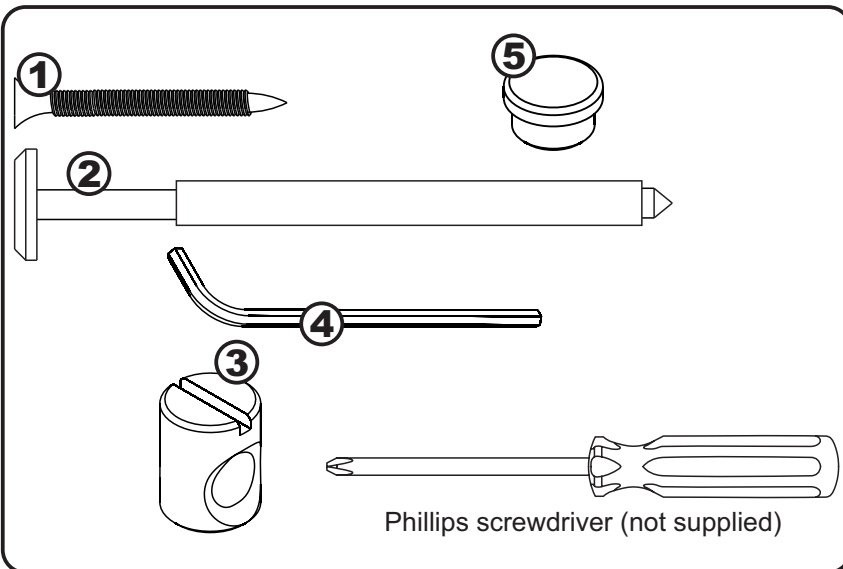
Be sure to **COMPLETELY TIGHTEN** the screws / bolts when you are asked to do so.

**Required tools:**

Allen wrench (supplied), Phillips screwdriver (not supplied).

**CAUTION:**

Do not use a power screwdriver which can cause screws to break or strip



## Assembly instructions for Imperio twin & full size beds

### STEP 1 (Two adults are required to complete this step)

Attach the bed rails (**BR**) to the headboard (**HB**) using all four Allen bolts (**2**) and all four barrel nuts (**3**). Make sure that the wood brackets attached to the bed rails faces towards the inside of the bed. Please note that you can choose between two possible height levels for the bed rails. If you intend to use the Romina Furniture bed trundle (**BD - purchased separately**) then you must use the upper holes.

Align the straight slots in the head of the barrel nuts horizontally. You can adjust the position of the barrel nut with a flat head screwdriver (not supplied) or a coin. Push the Allen bolts through the headboard and into the bed rail. Start the thread by hand to assure you don't strip the threads then use the supplied Allen key (**4**). Do not completely tighten the bolts at this step, you will be asked to do that later.

### STEP 2 (Two adults are required to complete this step)

Insert the metallic hooks attached to the ends of the bed rails into the slots provided in the footboard's legs, so the hooks will catch the inner metallic pins. Make sure that both bed rails are firmly attached to the footboard.

**Completely tighten** all four bigger Allen bolts (**2**).

### STEP 3

Place the support slats (**SL**) onto the wood brackets attached to the bed rails. Position the support slats evenly between the bed ends. Make sure you **firmly attach** the support slats to the wood brackets using all eight wood screws (**1**). Use a Phillips screwdriver (not supplied) to **completely tighten the wood screws**.

After completing **STEP 3**, your bed should look like one of the beds depicted on the first page of this instruction booklet.

## Assembly instructions for Imperio convertible cribs full size bed option

### STEP 1 (Two adults are required to complete this step)

Completely disassemble your crib, taking care not to scratch the wood finish (see **STEPS 4 to 1** from “**ASSEMBLY INSTRUCTIONS FOR YOUR 8501 CONVERTIBLE CRIB**”).

Keep the footboard and the headboard of your crib for the next step and carefully store the other resulted wooden pieces and hardware in a proper place, away from direct sunlight and moisture, taking care not to scratch the wood finish.

### STEP 2 (Two adults are required to complete this step)

Attach the bed rails (**BR**) to the headboard (**HB**) of the crib using all four Allen bolts (**2**) and all four barrel nuts (**3**). Make sure that the wood brackets attached to the bed rails faces towards the inside of the bed.

Align the straight slots in the head of the barrel nuts horizontally. You can adjust the position of the barrel nut with a flat head screwdriver (not supplied) or a coin.

Push the Allen bolts through the headboard and into the bed rail. Start the thread by hand to assure you don't strip the threads then use the supplied Allen key (**4**).

Do not completely tighten the bolts at this step, you will be asked to do that later.

### STEP 3

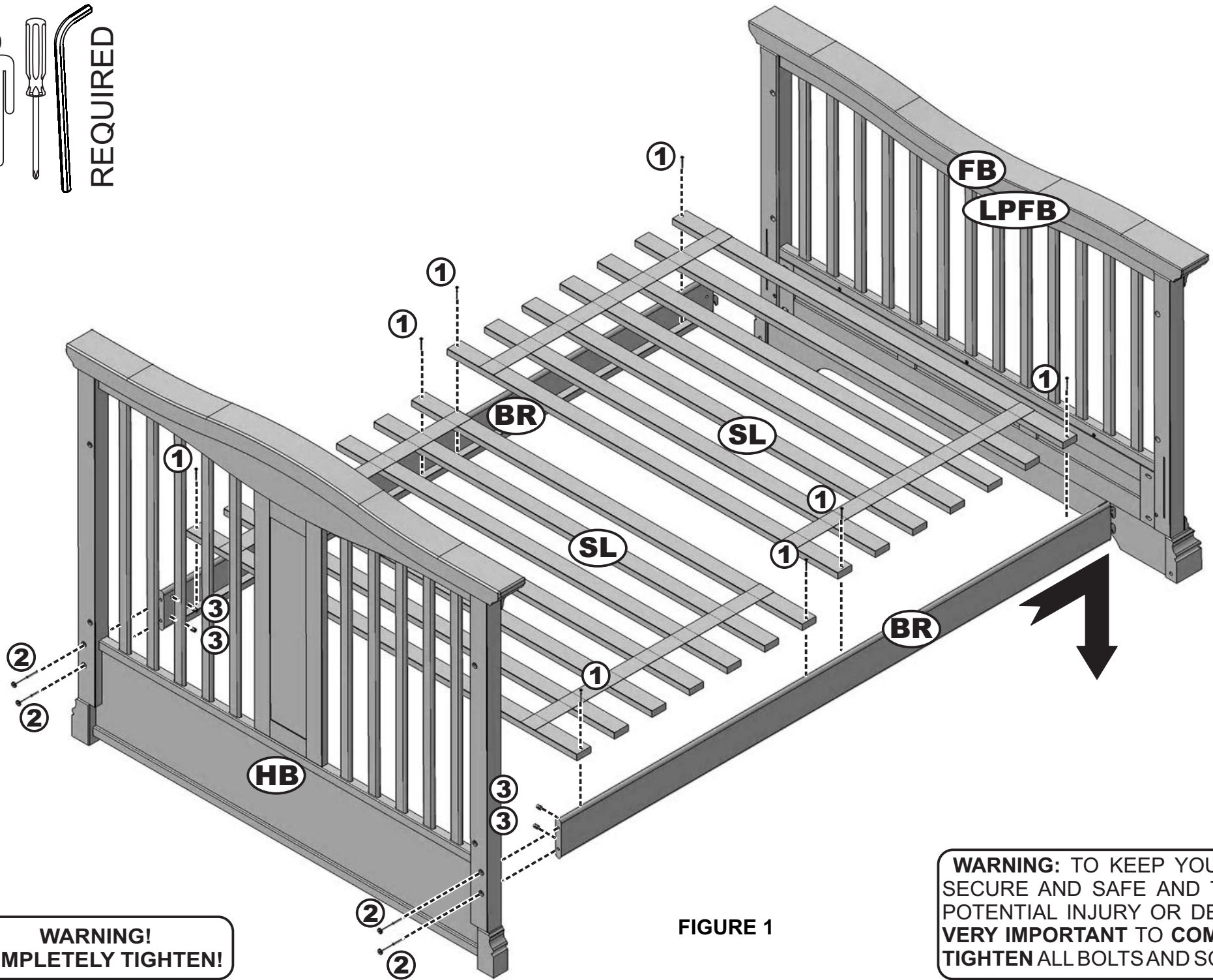
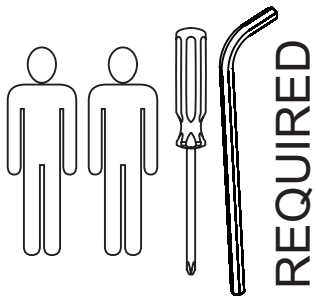
Insert the metallic hooks attached at the ends of the bed rails into the slots provided in the footboard's legs, so the hooks will catch the inner metallic pins. Make sure that both bed rails are firmly attached to the footboard (**FB**).

**Completely tighten** all four Allen bolts.

### STEP 4

Place the support slats (**SL**) onto the wood brackets attached to the bed rails. Position the support slats evenly between the bed ends. Make sure you firmly attach the support slats to the wood brackets using the all eight wood screws (**1**). Use a Phillips screwdriver (not supplied) to completely tighten the screws.

Use the wooden caps (**5**) to cover the holes from the upper part of headboard and footboard's legs.



**WARNING!**  
**COMPLETELY TIGHTEN!**

FIGURE 1

**WARNING:** TO KEEP YOUR BABY SECURE AND SAFE AND TO AVOID POTENTIAL INJURY OR DEATH, IT'S VERY IMPORTANT TO COMPLETELY TIGHTEN ALL BOLTS AND SCREWS.

## GENERAL FURNITURE CARE TIPS

- Wood, like any natural material is likely to present variations of grain and texture which will result in slight color variations or richness in the finish. These differences make each Romina Furniture item as beautiful and unique as you and your baby are.
- To preserve the initial appearance and functionality of your furniture, it is recommended that all furniture items be used in accordance with their intended design.
- Special water-based finishes are used to make this furniture safe for your baby. These finishes may be more delicate than those used on adult furniture thus requiring careful maintenance.
- Constant rubbing or mechanical interaction with sharp/hard objects such as belt buckles, jeans' zippers or buttons will likely damage the finish on your furniture. When placing or retrieving items onto the furniture, always set them down and pick them up, do not "slide" them. Items placed onto the horizontal surfaces must be moved/rotated to prevent discoloration in the finish.
- Exposure to extreme variations of environmental conditions such as humidity and temperature can affect the finish quality due to wood sudden expansion or shrinkage. It is recommended that the room temperature be maintained in between 65 and 75 degrees Fahrenheit and a relative humidity of 35 – 40 %. Do not place items which are too hot or too cold directly onto the finished surfaces!
- Use caution when using a humidifier or vaporizer. Excessive moisture is harmful to the furniture causing the finish to peel and the wood to warp.
- Wipe up spills promptly. If water or other liquids stay in contact with the furniture for a long period of time, they can cause the finish to turn white or discolor. Alcohol or solvent containing substances or materials will permanently damage the finish.
- In general, furniture should not be placed in front or too close to air-conditioning outlets, fireplaces, heaters or humidifiers. Direct sunlight and ultraviolet rays will cause colors to fade, affect the luster and smoothness of the finish and in most cases may cause hairline cracks in the finish. White finishes will yellow naturally over time; exposure to direct sunlight will accelerate this natural process. Please note that all wood essences will darken over time along with the natural aging process which is not considered to be a quality defect.
- To clean the furniture, use a damp cloth immediately followed by wiping with a dry cloth. Do not allow water to stay in contact with the finish as it will damage the finish.
- If you need to put your furniture into storage for any period of time, avoid placing it in damp basements or hot attics. Air flow around and under the furniture should be allowed. Do not place furniture too close to walls, do not stack anything on it and do not cover it entirely.
- When using a vinyl changing pad or similar plastic accessories, make sure to use a fabric felt underneath. Certain plastics have ingredients that can react with and damage the finish. It is recommended to rotate the changing pad's position frequently to avoid finish discoloration.

Page intentionally left blank.

*Regular cleaning with mild soap on a soft cloth, followed by a clean damp cloth, then a dry cloth, will preserve the original luster and beauty of the fine finish of your Romina Furniture product.*



*Thank you for being one of our distinguished clients.*

**Romina**<sup>®</sup> *Team*  
Furniture

*Visit*

**[www.rominafurniture.com](http://www.rominafurniture.com)**

*for updates, special offers and more new designs.*