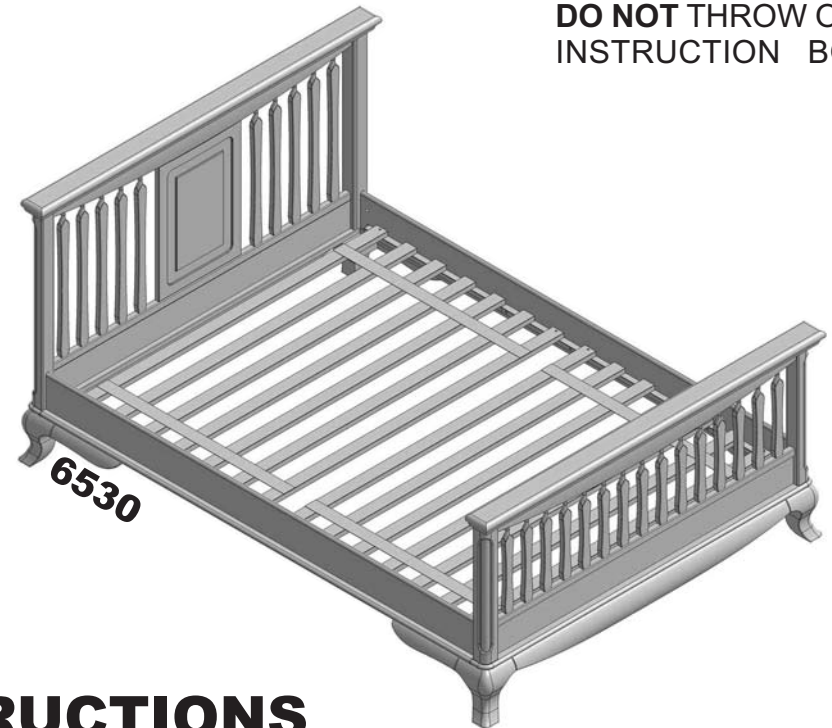
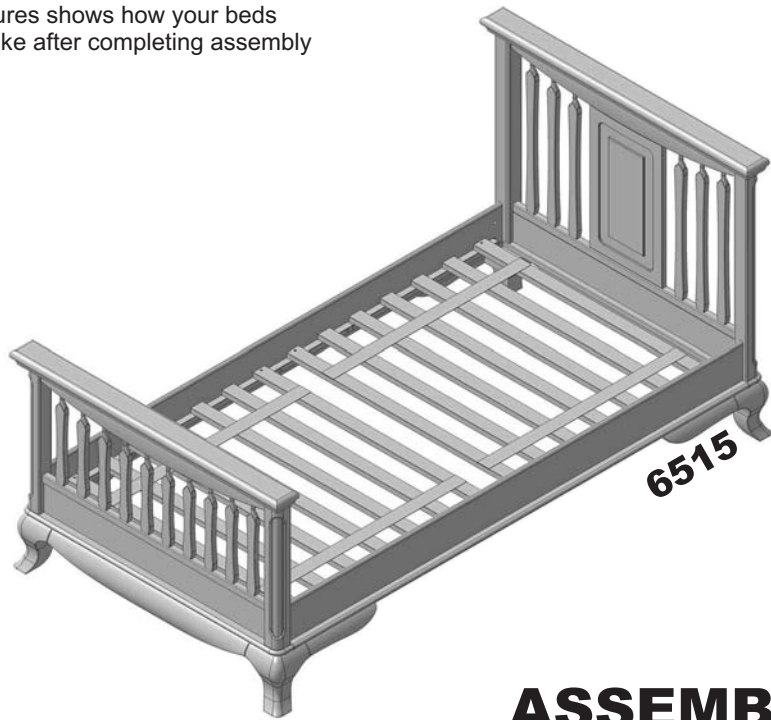


these pictures shows how your beds
should look like after completing assembly

**DO NOT THROW OUT THIS
INSTRUCTION BOOKLET**



ASSEMBLY INSTRUCTIONS FOR YOUR ANTONIO & CLEOPATRA BEDS

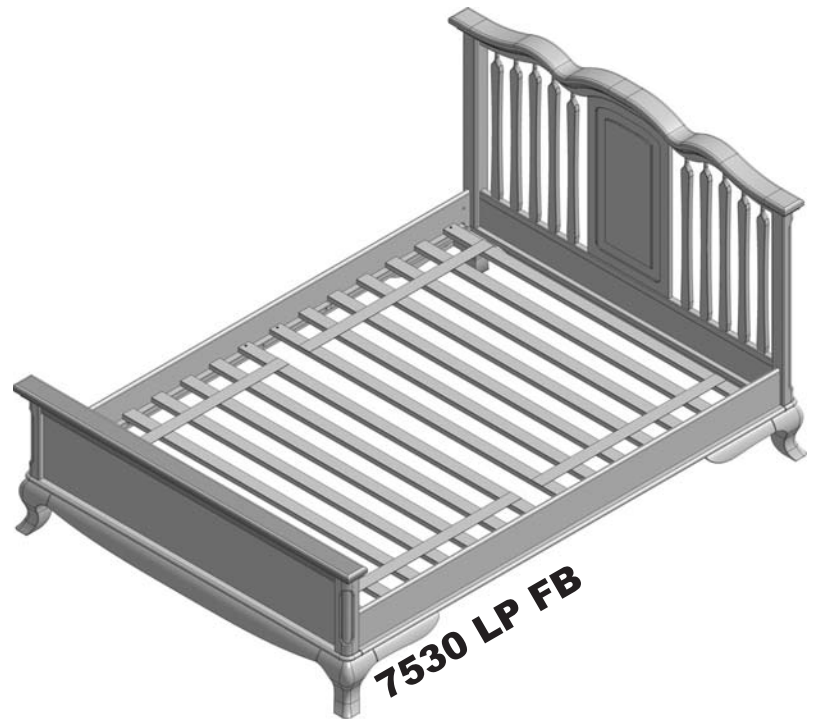
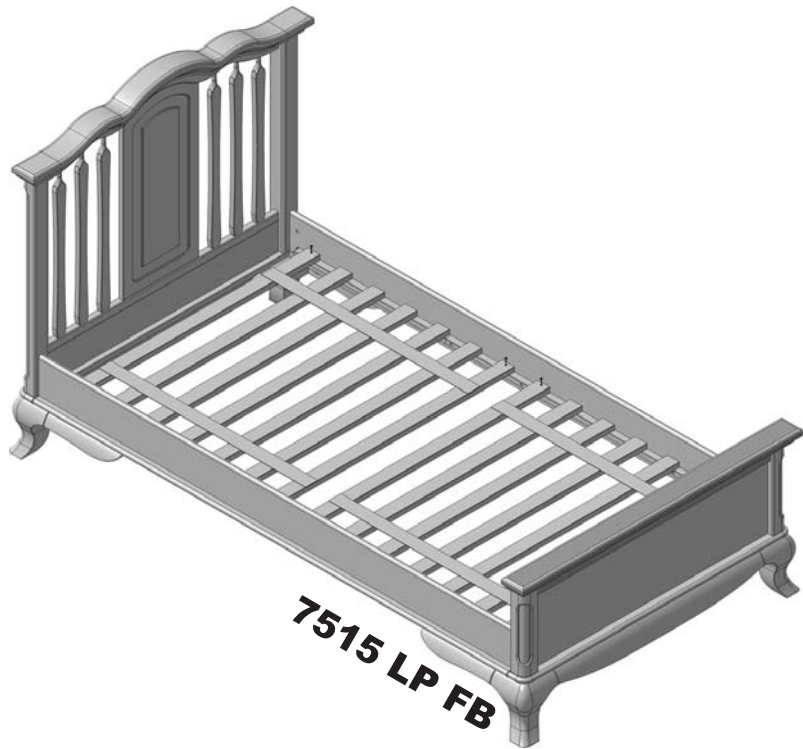
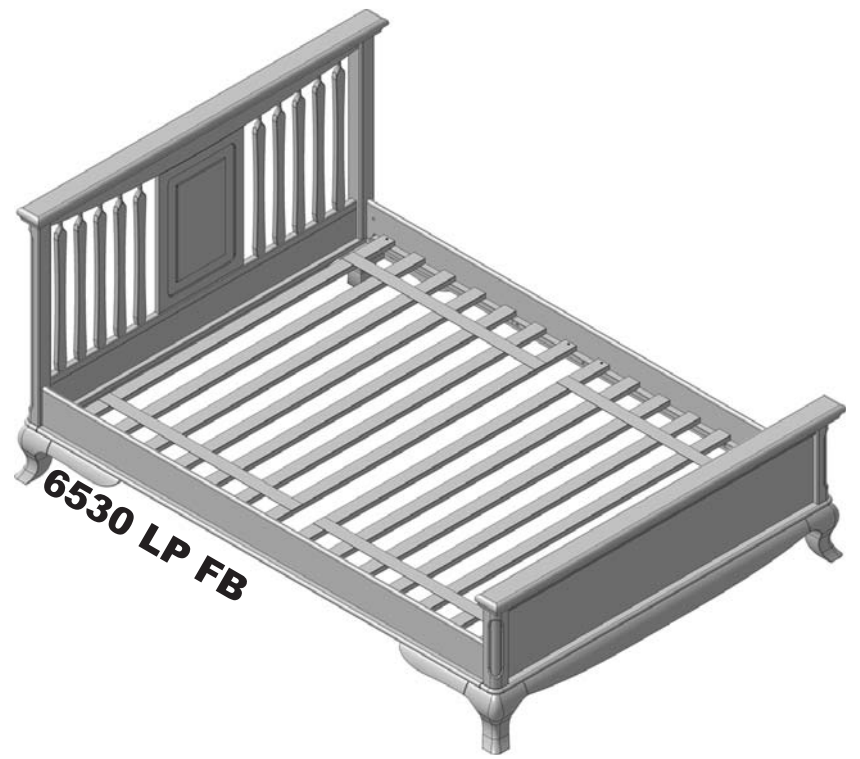
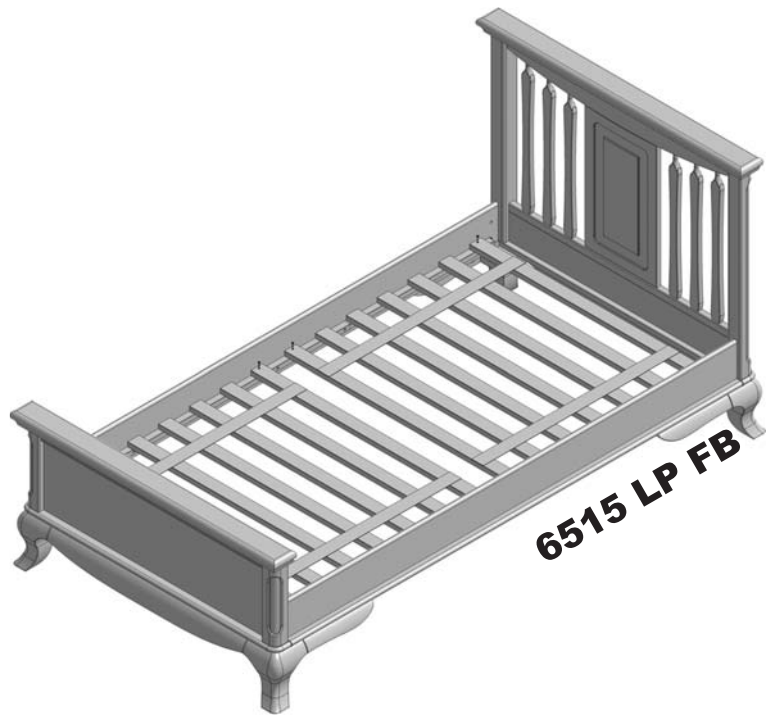


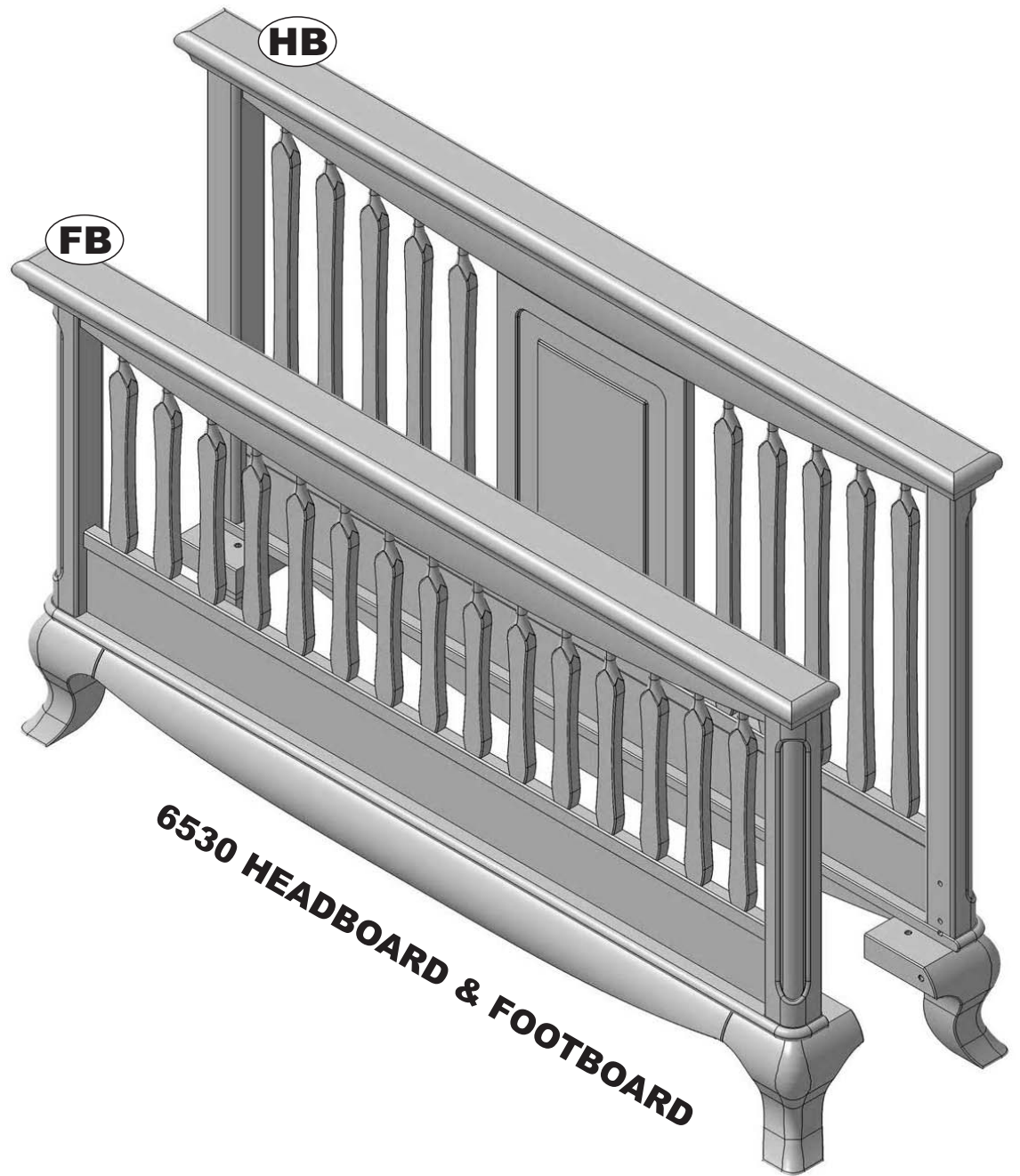
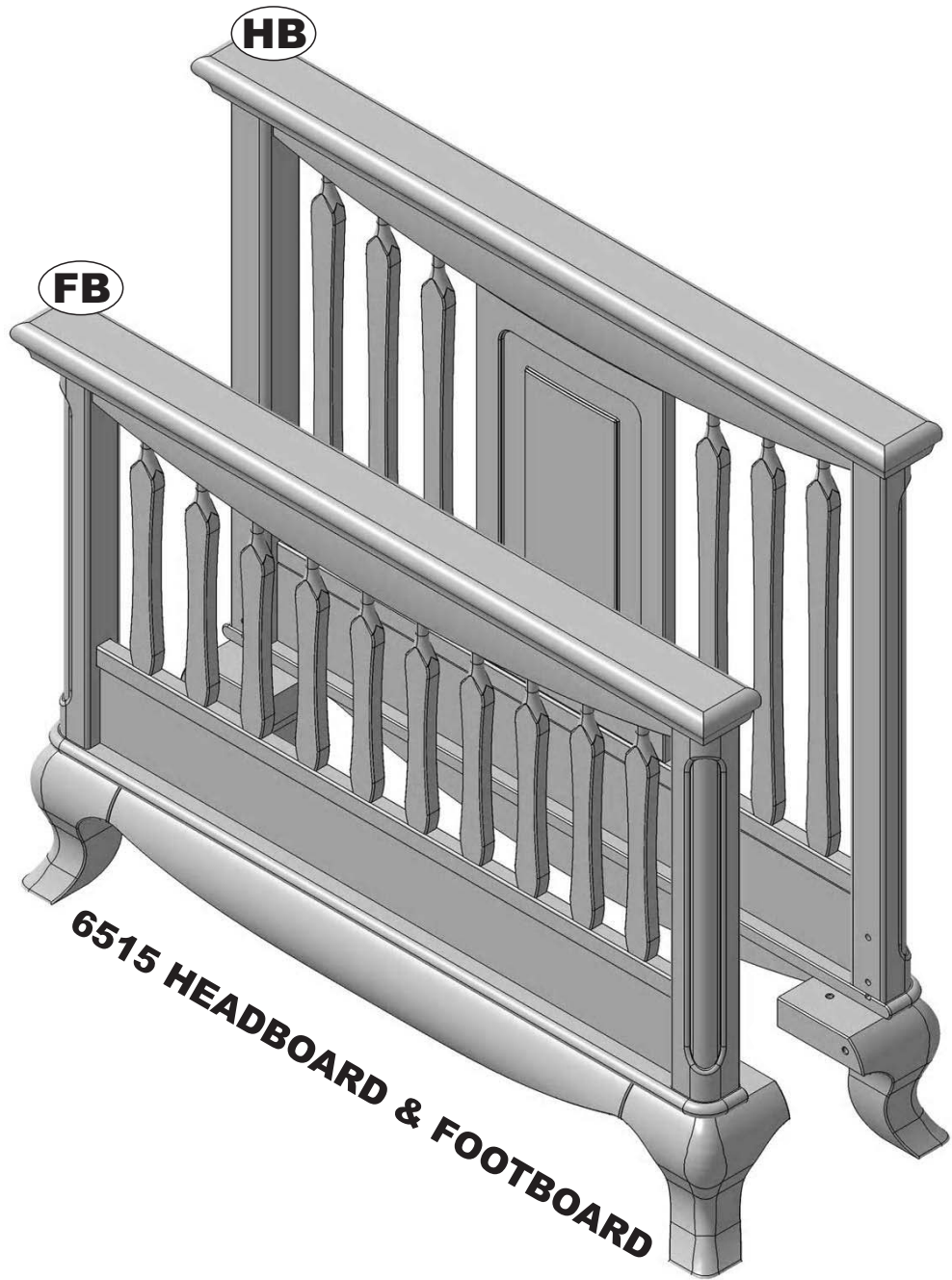
IMPORTANT:
PLEASE, READ
ALL
INSTRUCTIONS
BEFORE
ASSEMBLING!
PLEASE, SAVE INSTRUCTIONS
FOR FUTURE USE

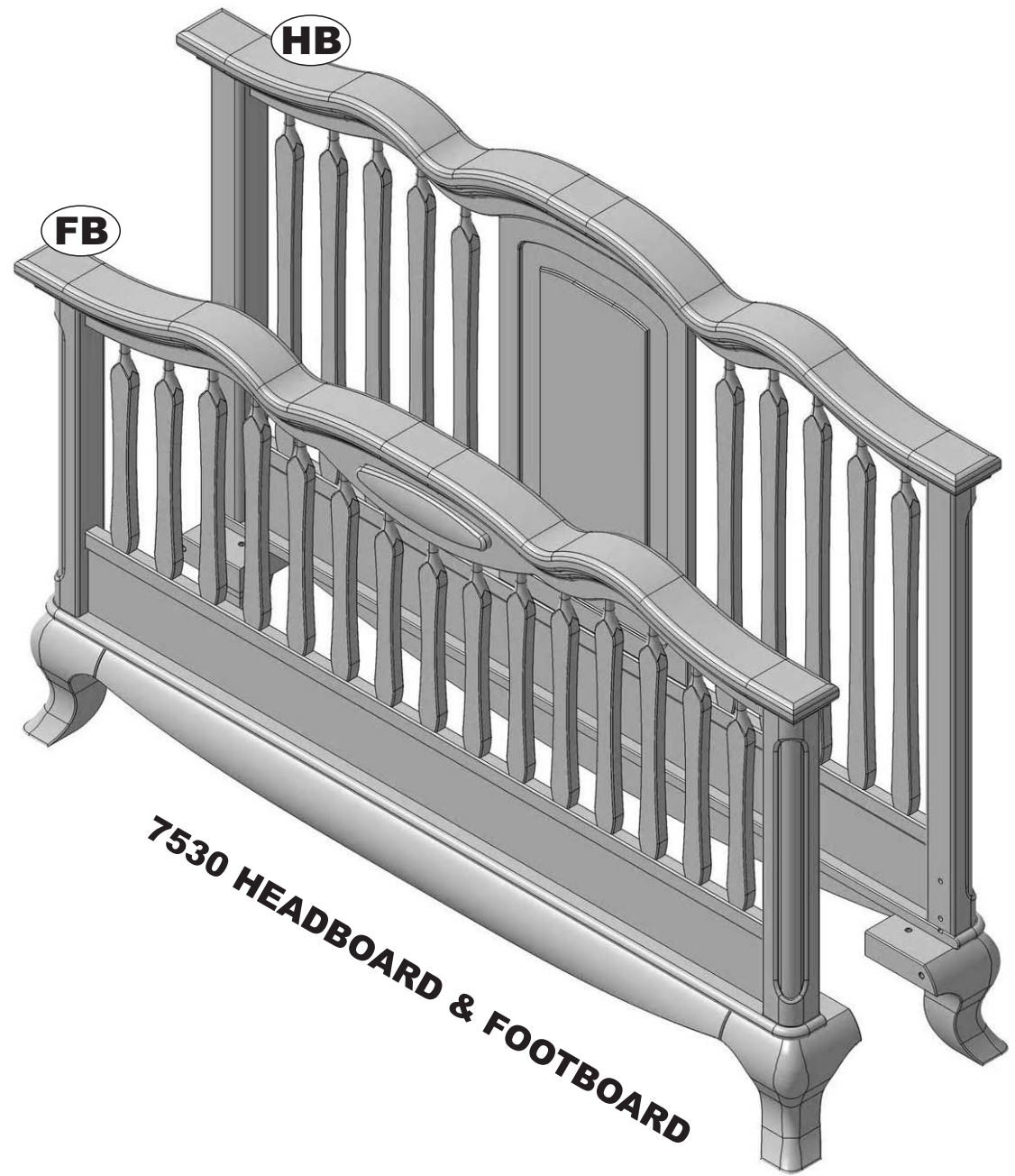
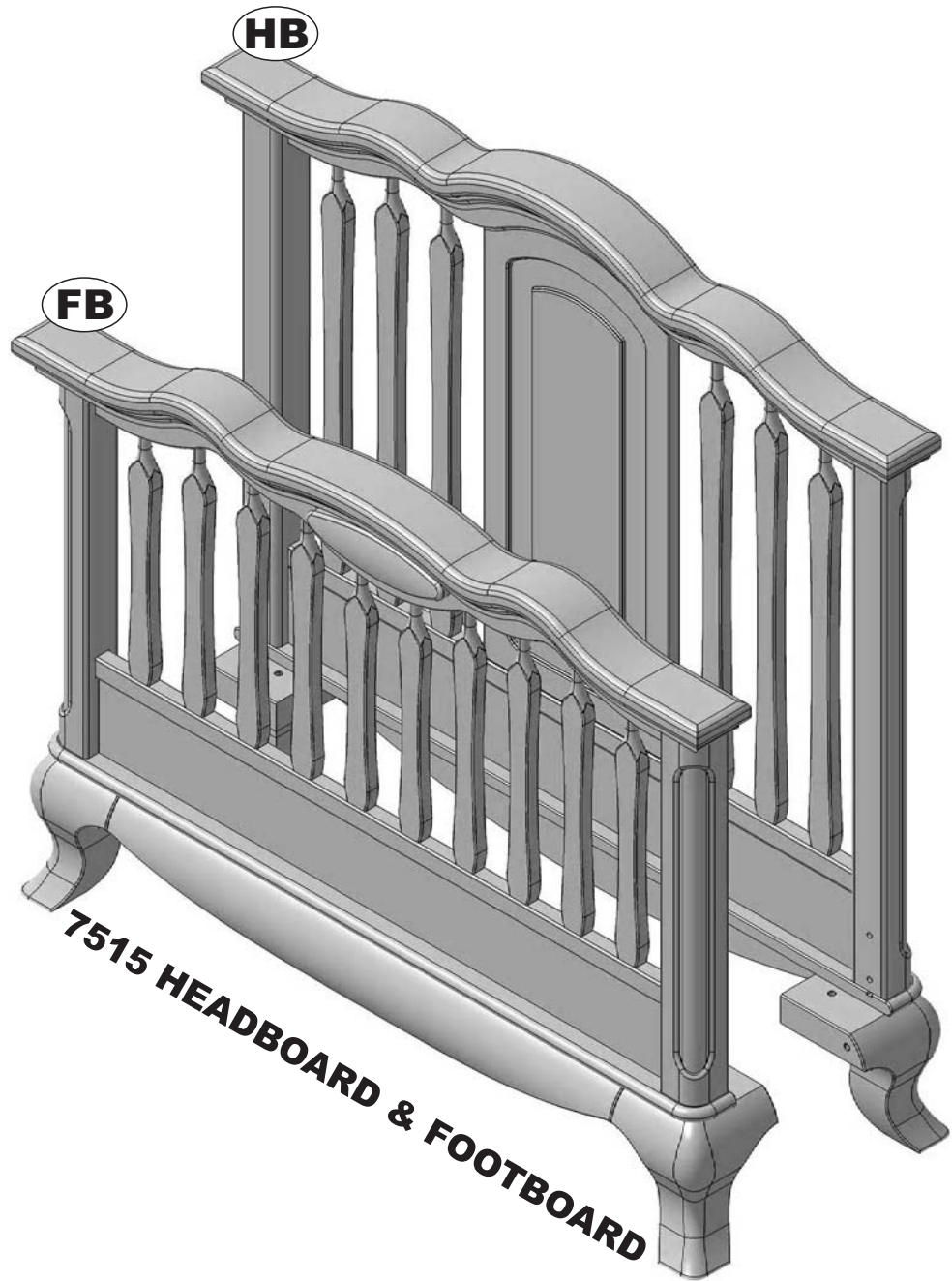
Romina[®]
Furniture

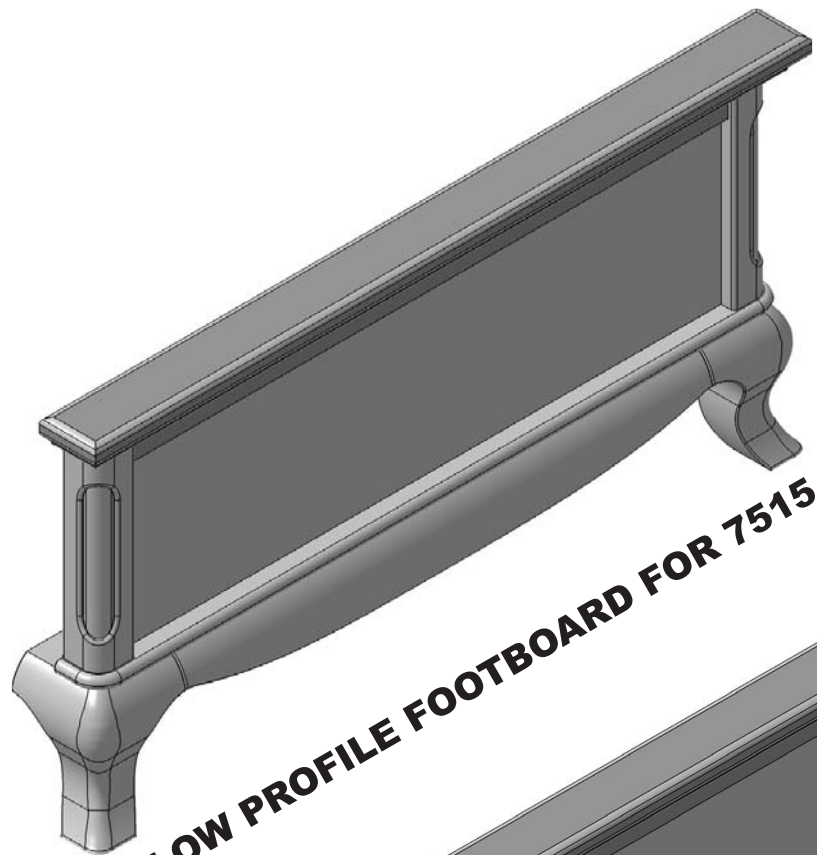
20 Corporation Row, Edison, NJ 08817
Phone (718) 478 5100, Fax (718) 478 5117
www.rominafurniture.com

NOTE: THE STYLE OF YOUR
BED MAY VARY FROM WHAT IS
PICTURED IN THE
INSTRUCTION SHEET

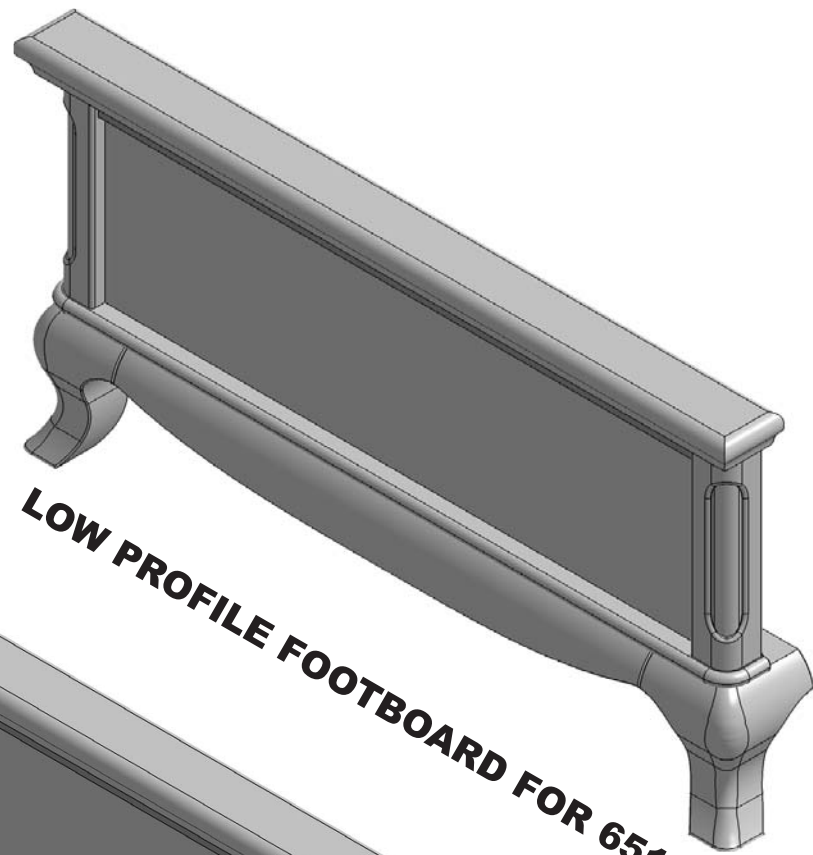




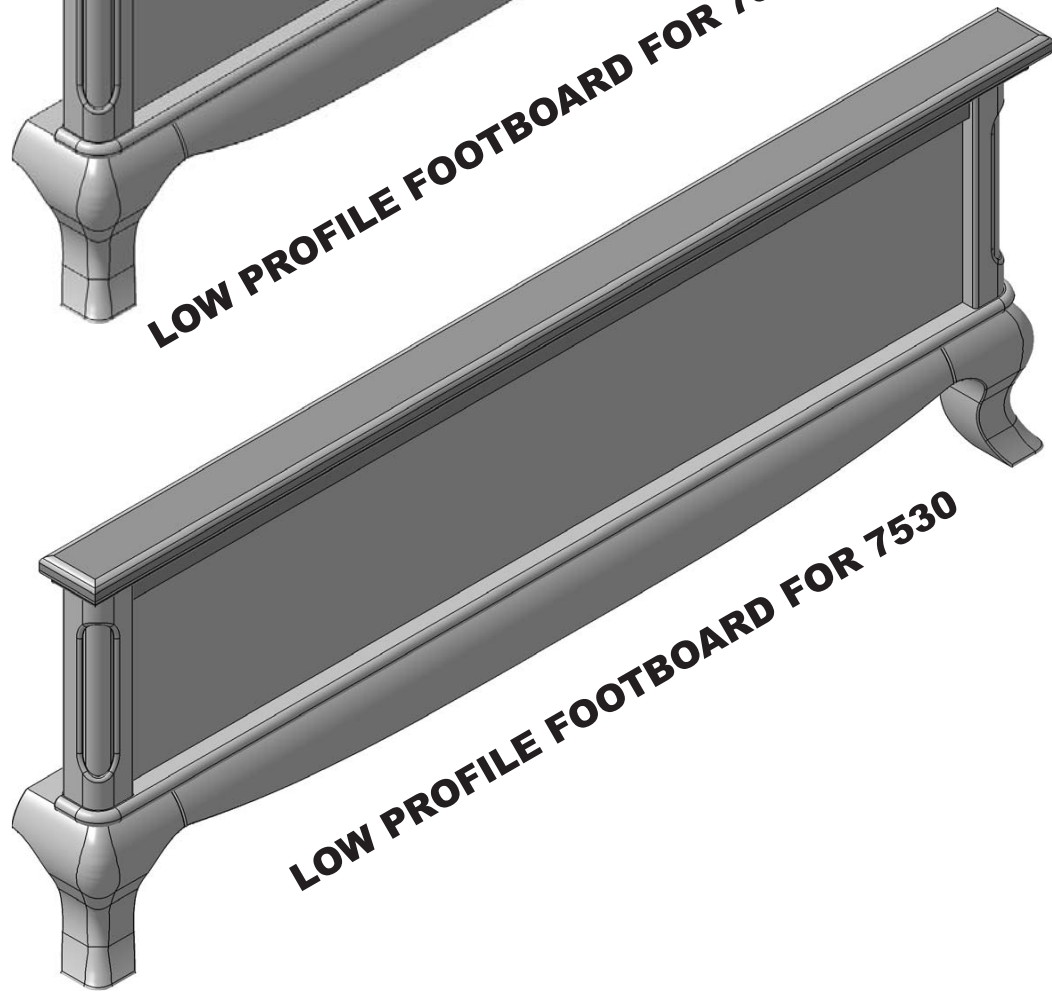




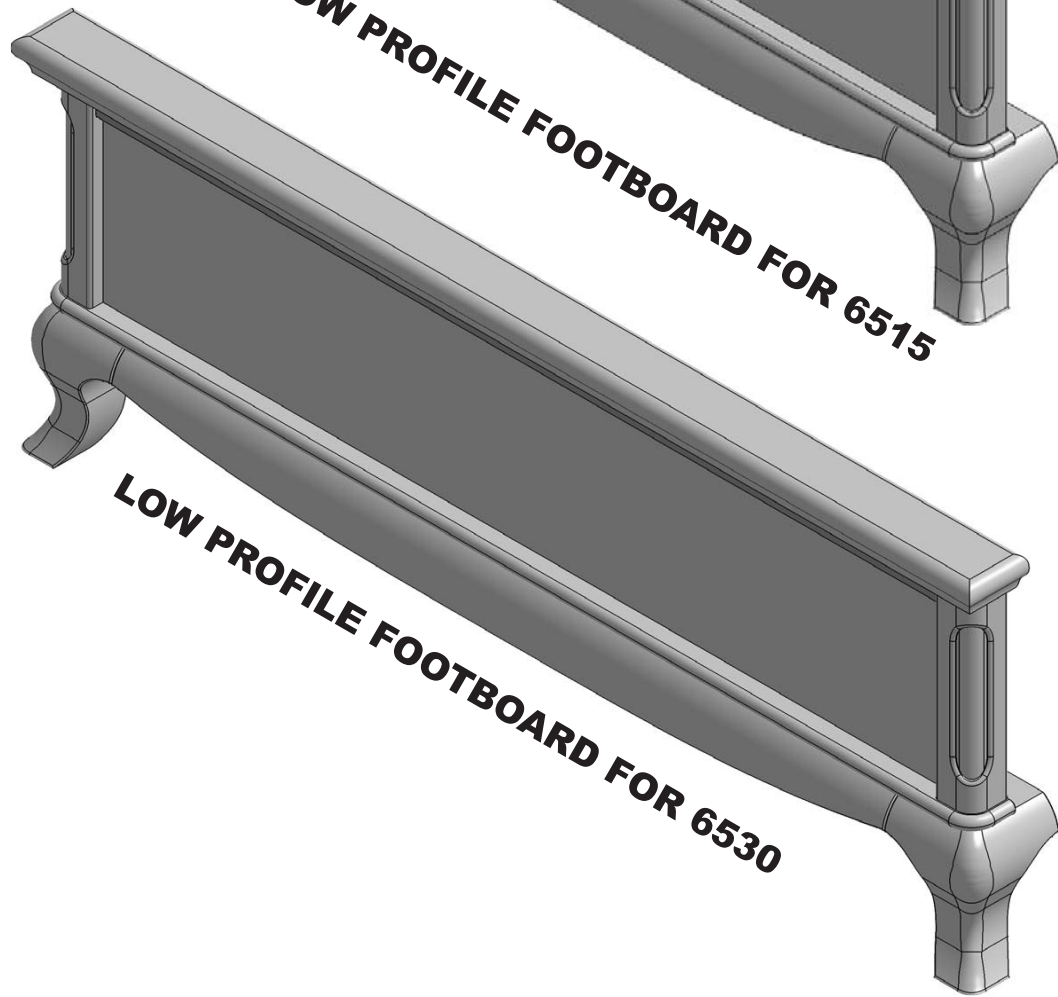
LOW PROFILE FOOTBOARD FOR 7515



LOW PROFILE FOOTBOARD FOR 6515



LOW PROFILE FOOTBOARD FOR 7530



LOW PROFILE FOOTBOARD FOR 6530

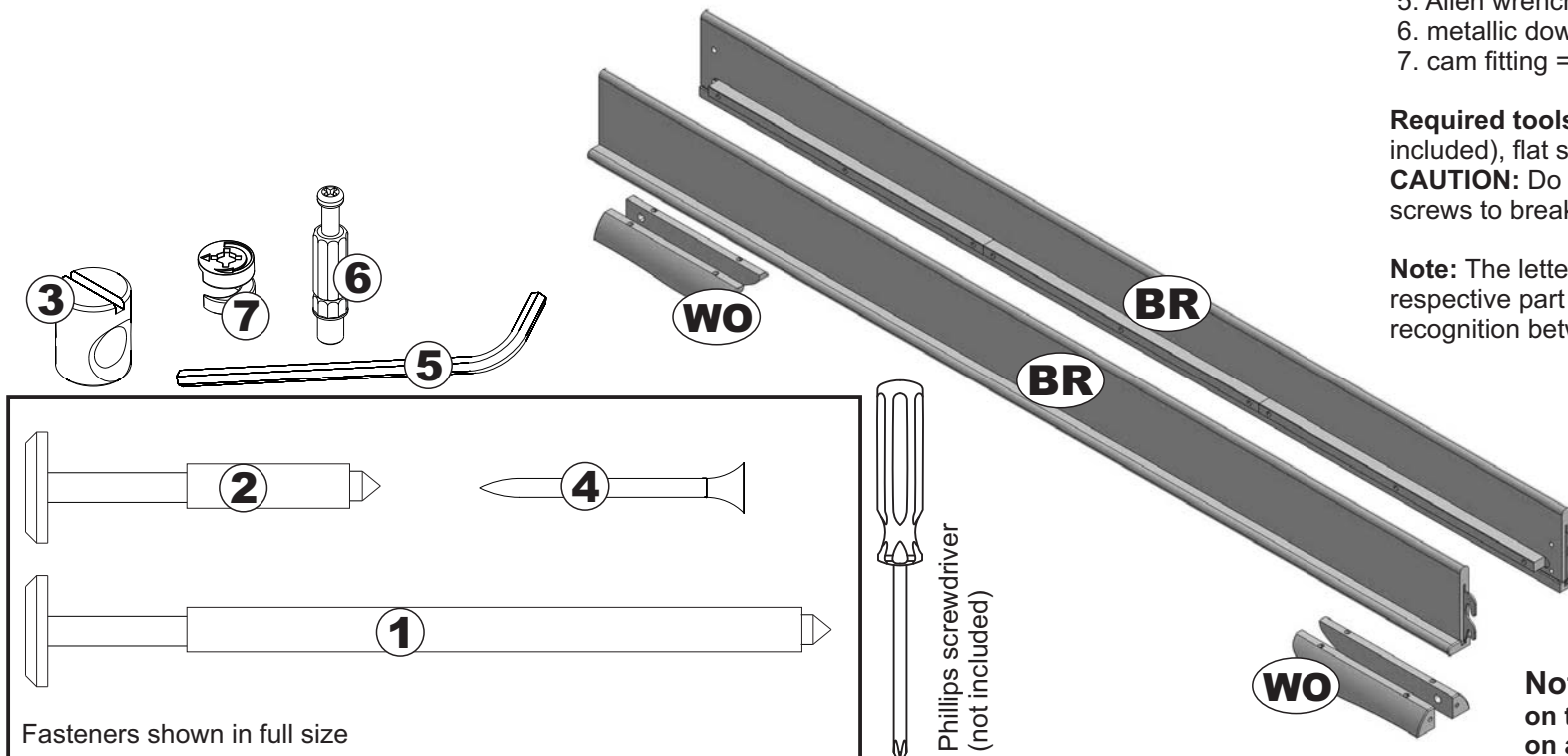
IMPORTANT:
PLEASE, READ ALL INSTRUCTIONS BEFORE ASSEMBLING!
PLEASE, SAVE INSTRUCTIONS FOR FUTURE USE

⚠ WARNING!

TO HELP PREVENT SERIOUS OR FATAL INJURIES FROM ENTRAPMENT OR FALLS:

- PROHIBIT HORSEPLAY AND JUMPING ON OR UNDER BED(S).
- PERIODICALLY CHECK AND ENSURE THAT ALL THE COMPONENTS ARE IN THEIR PROPER POSITION, FREE FROM DAMAGE, AND THAT ALL CONNECTIONS ARE TIGHT.
- DO NOT SUBSTITUTE PARTS. PLEASE, CONTACT ROMINA FURNITURE FOR REPLACEMENT PARTS.
- THE USE OF WATER OR SLEEP FLOTATION MATTRESSES IS PROHIBITED.
- PACKAGING MATERIAL, SMALL PARTS & PLASTIC BAGS ARE HAZARDOUS TO SMALL CHILDREN. PLEASE DISPOSE OF THEM IMMEDIATELY!

KEEP THESE INSTRUCTIONS FOR FUTURE REFERENCE!



Note: During the assembly process whenever using screws or bolts, check each by placing the screw / bolt on the upper diagram which is drawn in actual size. Be sure to use the proper size and shape specified in the instructions. Be sure to **COMPLETELY TIGHTEN** the screws / bolts when you are asked to do this.

ANTONIO & CLEOPATRA BEDS
BOX CONTENT

Please locate and confirm you have the following parts:

- FB** or **LP FB** - footboard or low profile footboard = 1 (please see pages 3-5 for footboard style, depending of your bed type)
- HB** - headboard = 1 (please see pages 3-4 for headboard style, depending of your bed type)
- BR** - bed rails = 1+1
- SL** - group of 7 support slats assembled with 2 textile ribbons = 2
- WO** - wooden ornament = 2+2

One bag of hardware with the following:

1. Allen bolts (100mm - 4") = 4
2. Allen bolts (40 mm - 1 9/16") = 8
3. barrel nuts = 4
4. wood screw (flat head 35mm - 1 3/8") = 8
5. Allen wrench = 1
6. metallic dowel = 4
7. cam fitting = 4

Required tools: Allen wrench (supplied), Phillips screwdriver (not included), flat screwdriver (not included).

CAUTION: Do not use a power screwdriver which can cause screws to break or strip

Note: The letters which identifies a part are the initials of the respective part name (such method is employed to facilitate parts recognition between the drawings and the parts list).

Note: The item number of your product is located on the inner side of the headboard or footboard, on a black and white label. Please, refer to this number in the event that you need to call **ROMINA FURNITURE** or your local distributor.
Thank you.

STEP 1 (for all ANTONIO & CLEOPATRA beds)

Attach one of the bed rails (BR) to the headboard (HB) using 2 bigger Allen bolts (1) and 2 barrel nuts (3). Make sure that the wood brackets attached to the bed rails faces towards the inside of the bed.

Align the straight slot in the head of the barrel nut horizontally, so the threads in the bolt will insert in the barrel nut. You can adjust the position of the barrel nut with a flat head screwdriver (not supplied) or a coin.

Push the Allen bolts through the headboard and into the bed rail. Start the threads by hand to assure you don't strip the threads, then, use the supplied Allen wrench.

Do not completely tighten the bolts at this step, you will be asked to do so later.

Repeat the above operations for the other bed rail.

please see the detailed view on the next page

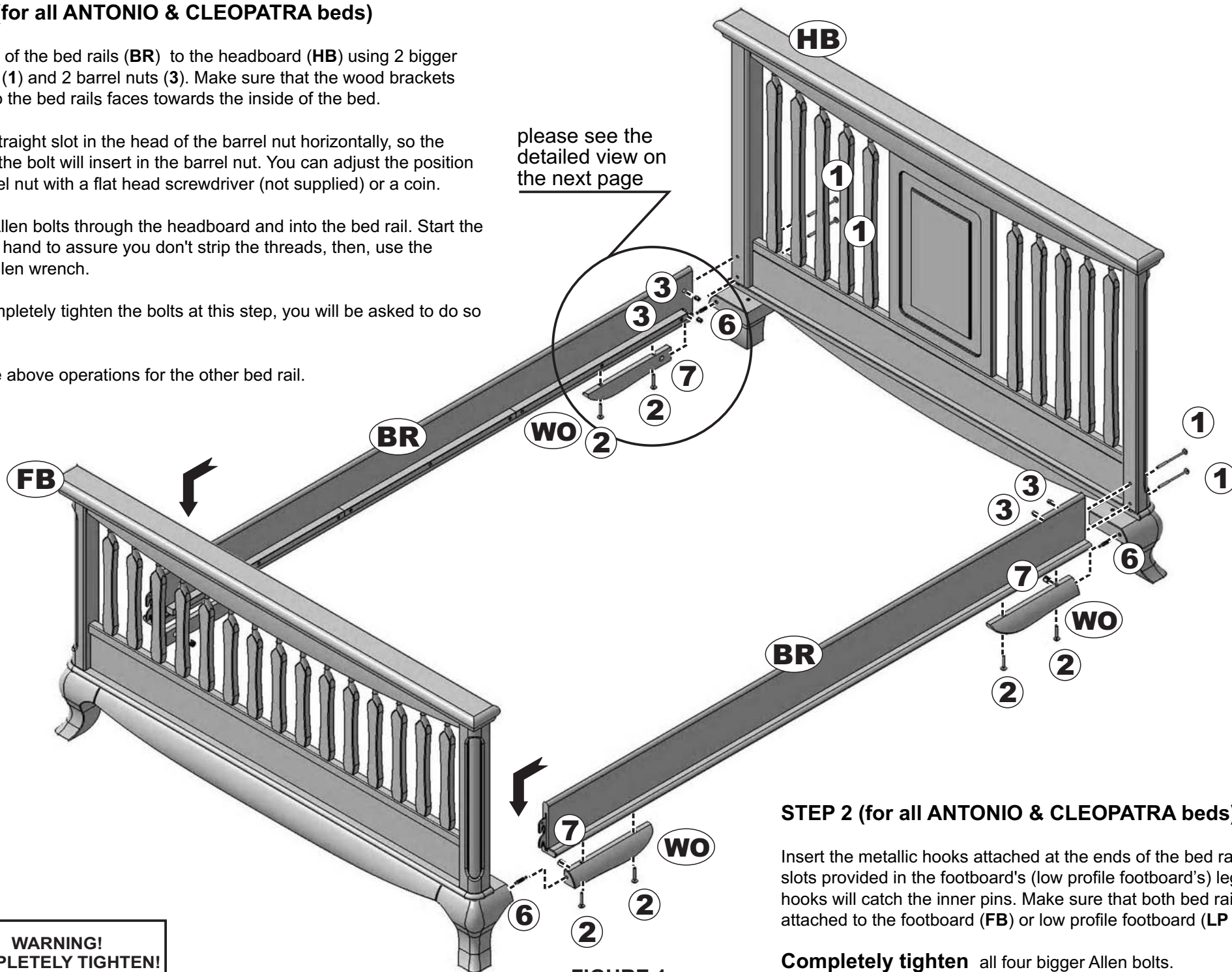


FIGURE 1

STEP 2 (for all ANTONIO & CLEOPATRA beds)

Insert the metallic hooks attached at the ends of the bed rails into the slots provided in the footboard's (low profile footboard's) legs, so the hooks will catch the inner pins. Make sure that both bed rails are firmly attached to the footboard (FB) or low profile footboard (LP FB).

Completely tighten all four bigger Allen bolts.



STEP 3 (for all ANTONIO & CLEOPATRA beds)

Using all eight smaller Allen bolts (2), all four metallic dowels (6) and all four cam fittings (7), attach the wooden ornaments (WO) to the bed rails (BR) and to the end panels (HB & FB), following the next steps:

A) using a Phillips screwdriver (not supplied) or just the hand, insert a metallic dowel (6) into one crib's foot;

B) attach the wooden ornament (WO) to the end panel (HB or FB), inserting the dowel into the hole found on the smaller side of the wooden ornament;

C) slightly pressing the wooden ornament against the crib's foot, insert the cam fitting (7) into the inner face hole of the wooden ornament, taking care that the little arrow of the cam is pointing to the crib's foot (parallel to the dowel's direction)

D) insert the smaller Allen bolts (2), starting the threads by hand. Do not completely tighten the bolts at this moment, you will be asked to do this later.

Adjust the position of the wooden ornament to follow the lines of the crib's foot by slightly moving the ornament then using the supplied Allen wrench and moderate force, slightly rotate the cam fitting clockwise (see the cam's rounded arrow) by about 90 deg to 120 deg until become tight. You don't need to overtight the cam!

Using the supplied Allen wrench and moderate force, completely tighten the two smaller Allen bolts (2).

Repeat the above steps for the rest of the three wooden ornaments.

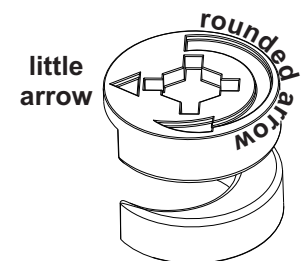
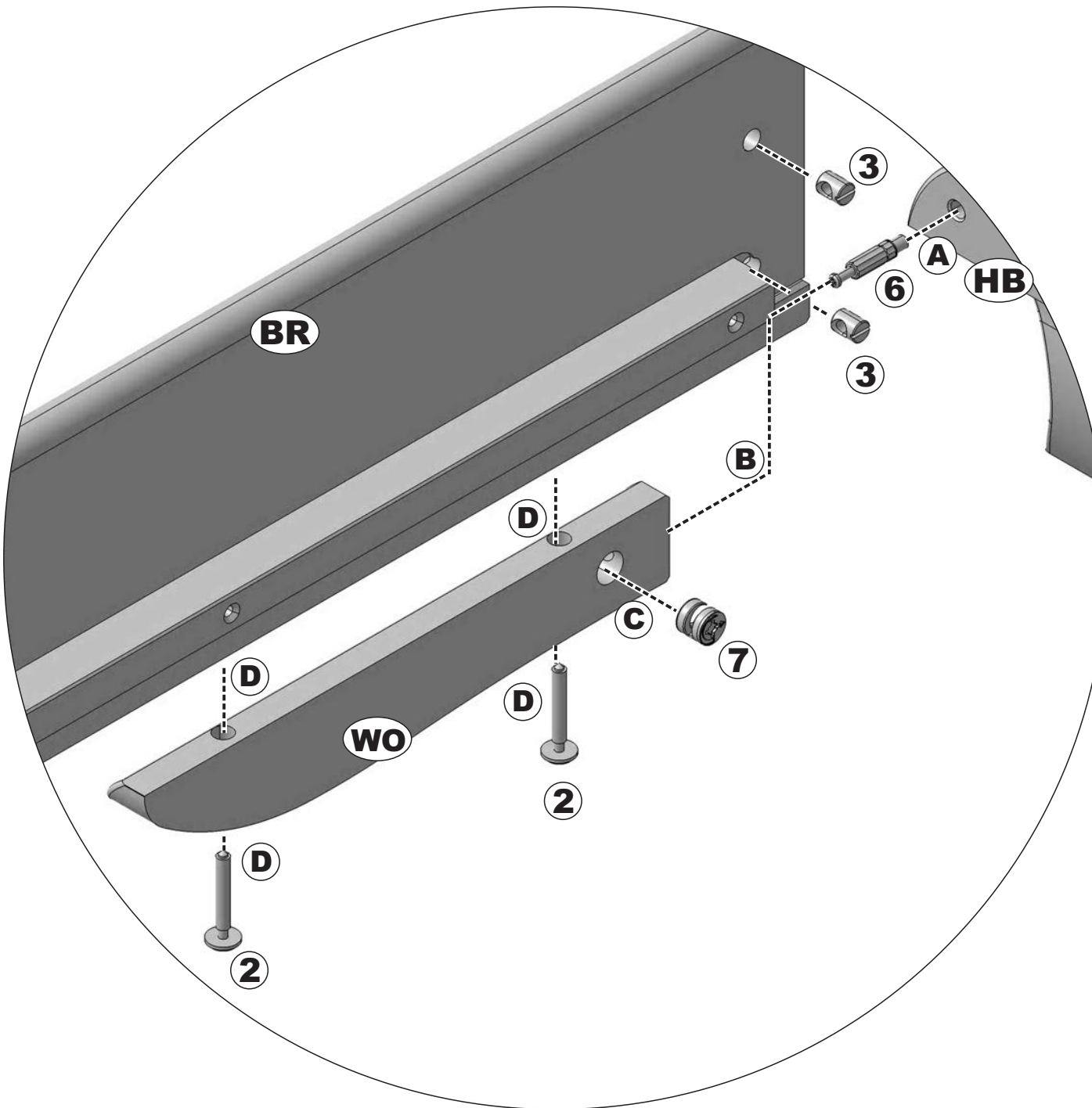
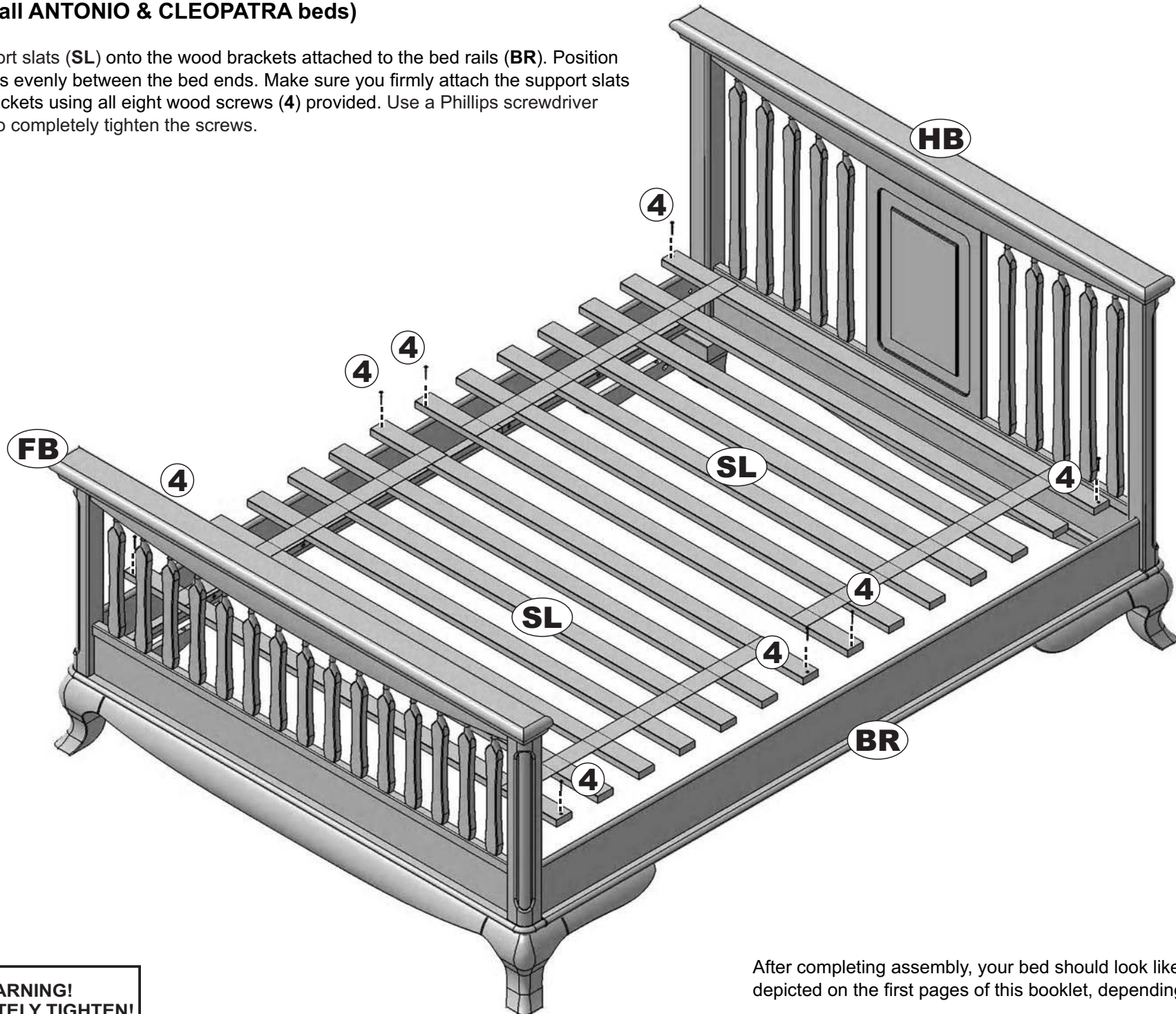


FIGURE 2 (detailed view of FIGURE 1)

STEP 4 (for all ANTONIO & CLEOPATRA beds)

Place the support slats (SL) onto the wood brackets attached to the bed rails (BR). Position the support slats evenly between the bed ends. Make sure you firmly attach the support slats to the wood brackets using all eight wood screws (4) provided. Use a Phillips screwdriver (not supplied) to completely tighten the screws.



WARNING!
COMPLETELY TIGHTEN!

FIGURE 3

After completing assembly, your bed should look like one of the four beds depicted on the first pages of this booklet, depending of your bed type.

GENERAL FURNITURE CARE TIPS

- Wood, like any natural material is likely to present variations of grain and texture which will result in slight color variations or richness in the finish. These differences make each Romina furniture item as beautiful and unique as you and your baby are.
- To preserve the initial appearance and functionality of your furniture, it is recommended that all furniture items be used in accordance with their intended design.
- Special water-based finishes are used to make this furniture safe for your baby. These finishes may be more delicate than those used on adult furniture thus requiring careful maintenance.
- Constant rubbing or mechanical interaction with sharp/hard objects such as belt buckles, jeans' zippers or buttons will likely damage the finish on your furniture. When placing or retrieving items onto the furniture, always set them down and pick them up, do not "slide" them. Items placed onto the horizontal surfaces must be moved/rotated to prevent discoloration in the finish.
- Exposure to extreme variations of environmental conditions such as humidity and temperature can affect the finish quality due to wood sudden expansion or shrinkage. It is recommended that the room temperature be maintained in between 65 and 75 degrees Fahrenheit and a relative humidity of 35 – 40 %. Do not place items which are too hot or too cold directly onto the finished surfaces!
- Use caution when using a humidifier or vaporizer. Excessive moisture is harmful to the furniture causing the finish to peel and the wood to warp.
- Wipe up spills promptly. If water or other liquids stay in contact with the furniture for a long period of time, they can cause the finish to turn white or discolor. Alcohol or solvent containing substances or materials will permanently damage the finish.
- In general, furniture should not be placed in front or too close to air-conditioning outlets, fireplaces, heaters or humidifiers. Direct sunlight and ultraviolet rays will cause colors to fade, affect the luster and smoothness of the finish and in most cases may cause hairline cracks in the finish. White finishes will yellow naturally over time; exposure to direct sunlight will accelerate this natural process. Please note that all wood essences will darken over time along with the natural aging process which is not considered to be a quality defect.
- To clean the furniture, use a damp cloth immediately followed by wiping with a dry cloth. Do not allow water to stay in contact with the finish as it will damage the finish.
- If you need to put your furniture into storage for any period of time, avoid placing it in damp basements or hot attics. Air flow around and under the furniture should be allowed. Do not place furniture too close to walls, do not stack anything on it and do not cover it entirely.
- When using a vinyl changing pad or similar plastic accessories, make sure to use a fabric felt underneath. Certain plastics have ingredients that can react with and damage the finish. It is recommended to rotate the changing pad's position frequently to avoid finish discoloration.

Regular cleaning with mild soap on a soft cloth, followed by a clean damp cloth, then a dry cloth, will preserve the original luster and beauty of the fine finish of your Romina Furniture product.



Thank you for being one of our distinguished clients.

Romina[®] *Team*
furniture

Visit

www.rominafurniture.com

for updates, special offers and more new designs.